

## HISTORY INFORMATION FOR THE FOLLOWING MANUAL:

# SERVICE MANUAL

# SP-4 CHASSIS

<u>MODEL NAME</u>	<u>REMOTE COMMANDER</u>	<u>DESTINATION</u>
<b>KDS-50A3000</b>	RM-YD016	US/CND
<b>KDS-55A3000</b>	RM-YD016	US/CND
<b>KDS-60A3000</b>	RM-YD016	US/CND

**ORIGINAL MANUAL ISSUE DATE: 8/2007**

 : UPDATED ITEM

<u>REVISION DATE</u>	<u>SUBJECT</u>
8/2007	No revisions or updates are applicable at this time.
8/2007	Added Optional Colored Speaker Grille P/N's information. Replaced Page 115.
9/2007	Updated Self-Diagnostic information. Replaced page 8-9. Corrected information in Disassembly section, Replace pages 10 -16. Corrected PN for Power Supply and added PN for Plug Holder. Replaced page 67.
10/2007	Updated TOC to add Appendix C: HV Cable Removal. Replaced page 3. Updated Disassembly section to include HV Cable Removal instructions. Replaced page 13. Updated illustration to show HV Plug Holder. Replaced page 67. Added Appendix C: HV Cable Removal.
11/2007	Updated TOC to add Appendix D: Performing Mechanical Geometry Adjustments. Replaced page 3. Added Appendix D: Performing Mechanical Geometry Adjustments.
11/2007	Added PN for Screen Holders. Replaced page 66.
12/2007	Removed Optional Colored Speaker Grille P/N's information. Replaced Page 115.
5/2008	Corrected LVDS cable location on 4-4. Connectors. Replaced page 69.

**SXRD PROJECTION TELEVISION**

**SONY®**

# SERVICE MANUAL

# SP-4 CHASSIS

<u>MODEL NAME</u>	<u>REMOTE COMMANDER</u>	<u>DESTINATION</u>
<b>KDS-50A3000</b>	RM-YD016	US/CND
<b>KDS-55A3000</b>	RM-YD016	US/CND
<b>KDS-60A3000</b>	RM-YD016	US/CND



KDS-60A3000



RM-YD016

SXRD PROJECTION TELEVISION

# SONY®

## TABLE OF CONTENTS

SECTION TITLE	PAGE	SECTION TITLE	PAGE
Specifications .....	4	FB1A Board Schematic Diagram (4 of 17) .....	31
Warnings and Cautions .....	6	FB1A Board Schematic Diagram (5 of 17) .....	32
Safety Check-Out .....	7	FB1A Board Schematic Diagram (6 of 17) .....	33
Self-Diagnostic Function .....	8	FB1A Board Schematic Diagram (7 of 17) .....	34
<b>SECTION 1: DISASSEMBLY .....</b>	<b>10</b>	FB1A Board Schematic Diagram (8 of 17) .....	35
1-1. Lamp Removal .....	10	FB1A Board Schematic Diagram (9 of 17) .....	36
1-2. Screen Frame Assembly and Speaker Grille Assembly Removal .....	10	FB1A Board Schematic Diagram (10 of 17) .....	37
1-3. Rear Cover Removal and H1 Board Bracket Removal .....	11	FB1A Board Schematic Diagram (11 of 17) .....	38
1-3-1. Side Cover Removal (KDS-50A3000 Only) .....	11	FB1A Board Schematic Diagram (12 of 17) .....	39
1-4. H2 Board, Speaker, and Separator Removal .....	12	FB1A Board Schematic Diagram (13 of 17) .....	40
1-5. Front Bracket Removal .....	12	FB1A Board Schematic Diagram (14 of 17) .....	41
1-6. Optics Block Assembly and Lamp Duct Removal .....	13	FB1A Board Schematic Diagram (15 of 17) .....	42
1-6-1. Lamp Duct Block Disassembly .....	13	FB1A Board Schematic Diagram (16 of 17) .....	43
1-7. Chassis Removal .....	14	FB1A Board Schematic Diagram (17 of 17) .....	44
1-8. Diffusion Plates (Screens) Removal .....	15	G Board Schematic Diagram (1 of 2) .....	46
1-9. Mirror Removal .....	16	G Board Schematic Diagram (2 of 2) .....	47
<b>SECTION 2: CIRCUIT ADJUSTMENTS .....</b>	<b>17</b>	H1 Board Schematic Diagram .....	49
2-1. Using the Remote Commander for Electrical Adjustments ..	17	H2 Board Schematic Diagram .....	51
2-2. Accessing Service Adjustment Mode .....	17	S2 Board Schematic Diagram .....	53
2-3. Viewing the Service Menus .....	17	T Board Schematic Diagram .....	55
2-4. Using the Remote Commander to View Service Data .....	18	TUU2 Board Schematic Diagram (1 of 2) .....	57
2-5. Adjusting H/V Center .....	18	TUU2 Board Schematic Diagram (2 of 2) .....	58
2-6. Exiting Service Mode .....	18	U Board Schematic Diagram (1 of 4) .....	60
<b>SECTION 3: DIAGRAMS .....</b>	<b>19</b>	U Board Schematic Diagram (2 of 4) .....	61
3-1. Circuit Boards Location .....	19	U Board Schematic Diagram (3 of 4) .....	62
3-2. Printed Wiring Boards and Schematic Diagrams Information .....	19	U Board Schematic Diagram (4 of 4) .....	63
3-3. Block Diagram .....	21	3-5. Semiconductors .....	65
3-4. Schematics and Supporting Information .....	22	<b>SECTION 4: EXPLODED VIEWS .....</b>	<b>66</b>
A Board Schematic Diagram .....	22	4-1. Screen Frame Assembly and Mirror .....	66
BC Board Schematic Diagram .....	24	4-2. Optics Block Assembly .....	67
F Board Schematic Diagram .....	26	4-3. Chassis .....	68
FB1A Board Schematic Diagram (1 of 17) .....	28	4-4. Connectors .....	69
FB1A Board Schematic Diagram (2 of 17) .....	29	<b>SECTION 5: ELECTRICAL PARTS LIST .....</b>	<b>70</b>
FB1A Board Schematic Diagram (3 of 17) .....	30	<b>APPENDIX A: ENCRYPTION KEY COMPONENTS .....</b>	<b>A-1</b>
		<b>APPENDIX B: REPLACING THE LAMP .....</b>	<b>B-1</b>
		<b>APPENDIX C: HV CABLE REMOVAL .....</b>	<b>C-1</b>
		<b>APPENDIX D: PERFORMING MECHANICAL GEOMETRY     ADJUSTMENTS .....</b>	<b>D-1</b>

## SPECIFICATIONS

**Power Requirements** 120V, 60Hz

**Power Consumption (W)**

**In Use (Max)** 240W

**In Standby** Less than 0.4W

**Inputs/Outputs** **HDMI IN 1/2/3**

Video - 480i, 480p, 720p, 1080i, 1080p, 1080/24p

Audio - Two channel linear PCM 32, 44.1 and 48 kHz,  
16, 20, and 24 bit, Dolby Digital

Audio - (HDMI IN 1 only) 500 mVrms  
(100% modulation) Impedance:47 kilo ohms

**Video (IN) 1/2/3**

Video

1 total Y: 1.0 Vp-p, 75ohms unbalanced,  
sync negative

S Video (IN)

1 total (4-pin mini DIN)

Y: 1Vp-p, 75ohms unbalanced, sync negative

C: 0.286Vp-p (Burst signal), 75ohms

Audio (IN)

500 mVrms (100% modulation)

Impedance:47 kilo ohms

**Component In 1/2**

(Y, P<sub>B</sub>/R<sub>R</sub>) (Component Video)

Y: 1.0 Vp-p, 75 ohms unbalanced, sync negative

P<sub>B</sub>: 0.7 Vp-p, 75 ohms;

P<sub>R</sub>: 0.7 Vp-p, 75 ohms

Signal format: 480i, 480p, 720p, 1080i, 1080p

Audio (IN)

500 mVrms (100% modulation)

Impedance:47 kilo ohms

**Audio Out**

500 mVrms (100% modulation)

1 Vrms at the maximum volume setting

(Varies with input level)

**Digital Audio Optical Output (PCM/Dolby Digital)**

Optical Digital Audio Output

**PC In**

D-sub 15-pin, analog RGB, 0.7 Vp-p, 75 ohms,  
positive

**PC Audio Input**


Stereo mini jack, 500mVrms, 47 kilohm

### Trademark Information




As an ENERGY STAR® Partner, Sony Corporation has determined that this product meets the ENERGY STAR® guidelines for energy efficiency.

ENERGY STAR® is a U.S. registered mark.

SXRD “BRAVIA” and BRAVIA, BRAVIA ENGINE EX, “XMB” and “XrossMediaBar”, S-Force, BRAVIA Theatre Sync, , DM<sup>X</sup>, BRAVIA Internet Video Link Ready and “PS3” are trademarks or registered marks of Sony Corporation and/or Sony Computer Entertainment Inc.

 This TV is manufactured under license from Dolby Laboratories. “Dolby” and the double-D symbol are trademarks of Dolby Laboratories.



 This TV incorporates High-Definition Multimedia Interface (HDMI™) technology. HDMI, the HDMI logo and High-Definition Multimedia Interface are trademarks or registered trademarks of HDMI Licensing LLC.

*Design and specifications are subject to change without notice.*



	KDS-50A3000	KDS-55A3000	KDS-60A3000
<b>Speaker Output (W)</b>	12W + 12W		
<b>Speaker Dimension</b>	70 x 130 mm 2 <sup>7/8</sup> x 5 <sup>1/8</sup> in		
<b>Dimensions (W x H x D)</b>	1150 x 850 x 365 mm 45 <sup>3/8</sup> x 33 <sup>1/2</sup> x 14 <sup>3/8</sup> in	1260 x 920 x 395 mm 49 <sup>5/8</sup> x 36 <sup>1/4</sup> x 15 <sup>5/8</sup> in	1370 x 985 x 425 mm 54 x 38 <sup>7/8</sup> x 16 <sup>3/4</sup> in
<b>Mass</b>	34 kg 75 lbs	37 kg 81.10 lbs	41 kg 90.7 lbs

All measurements are approximations

#### Television system

American TV standard, NTSC  
ATSC Compliant 8VSB, ATSC (8VSB terrestrial)  
ANSI/SCTE 07 2000, QAM on cable

#### Channel coverage

Terrestrial 2-69/ Cable TV: 1-125 (analog)  
Terrestrial 2-69/ Cable TV: 1-135 (digital)

#### Screen Size (measured diagonally)

KDS-50A3000 - approximately 50 inches  
KDS-55A3000 - approximately 55 inches  
KDS-60A3000 - approximately 60 inches

#### Antenna

75-ohm external antenna terminal for VHF/UHF

#### Projection System

3 SXR D Panels, 1 lens projection system

#### SXR D Panel System

High Frame Rate Compatible 0.61 inch panel Full HD SXR D device

#### Projection Lens

High Performance, large diameter hybrid lens F2.5

#### Lamp

120W, XL-5200 Ultra High Pressure Lamp

#### Supplied Accessories

Remote Commander RM-YD016  
Two Size AA (R6) Batteries  
Operating Instructions  
Quick Setup Guide  
Warranty Card  
Online Registration Card

#### Optional Accessories

Lamp  
XL-5200 Ultra High Pressure Lamp  
TV Stand  
SU-RS12X

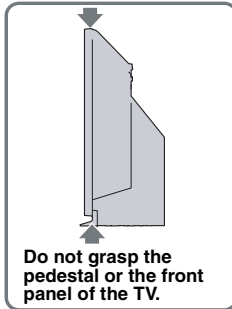
## WARNINGS AND CAUTIONS

### CAUTION

These servicing instructions are for use by qualified service personnel only. To reduce the risk of electric shock, do not perform any servicing other than that contained in the operating instructions unless you are qualified to do so.

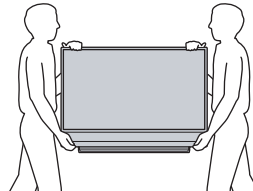
### CARRYING THE TV

Carrying the TV requires at least two people. Do not hold by the pedestal or the front panel of the TV. Doing so may cause these parts to break off.



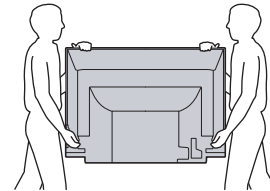
If you have connected cables and cords, be sure to unplug them before moving the TV. When moving the TV,

KDS-50A3000



place one hand to the lower portion of the front cabinet while grasping the top with the other hand.

KDS-55A3000/ KDS-60A3000




place one hand in the hole on the lower portion of the TV while grasping the top with the other hand.

### WARNING!!

An isolation transformer should be used during any service to avoid possible shock hazard, because of live chassis. The chassis of this receiver is directly connected to the AC power line.



### SAFETY-RELATED COMPONENT WARNING!!

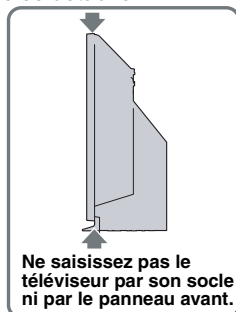
Components identified by shading and  mark on the schematic diagrams, exploded views, and in the parts list are critical for safe operation. Replace these components with Sony parts whose part numbers appear as shown in this manual or in supplements published by Sony. Circuit adjustments that are critical for safe operation are identified in this manual. Follow these procedures whenever critical components are replaced or improper operation is suspected.

### ATTENTION!!

Ces instructions de service sont à l'usage du personnel de service qualifié seulement. Pour prévenir le risque de choc électrique, ne pas faire l'entretien autre que celui contenu dans le Mode d'emploi à moins que vous soyez qualifié faire ainsi.

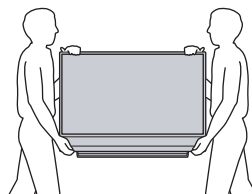
### TRANSPORTER LE TÉLÉVISEUR

Le transport du téléviseur doit être effectué par au moins deux personnes. Ne tenez pas le téléviseur par son socle ni par le panneau avant. Ces pièces risqueraient de se détacher.



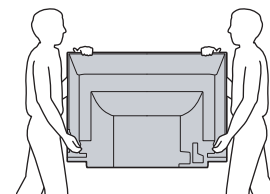
Si vous avez branché les câbles et les cordons d'alimentation veillez à les débrancher avant de déplacer le téléviseur. Lorsque vous déplacez le téléviseur,

KDS-50A3000



placez une main sur la partie inférieure du boîtier avant tout en maintenant la partie supérieure de l'autre main.

KDS-55A3000/ KDS-60A3000




placez une main dans l'orifice de la partie inférieure du boîtier arrière tout en maintenant la partie supérieure de l'autre ma

Afin d'éviter tout risque d'électrocution provenant d'un châssis sous tension, un transformateur d'isolement doit être utilisé lors de tout dépannage. Le châssis de ce récepteur est directement raccordé à l'alimentation du secteur.



### ATTENTION AUX COMPOSANTS RELATIFS A LA SECURITE!!

Les composants identifiés par une trame et par une marque  sur les schémas de principe, les vues explosées et les listes de pièces sont d'une importance critique pour la sécurité du fonctionnement. Ne les remplacer que par des composants Sony dont le numéro de pièce est indiqué dans le présent manuel ou dans des suppléments publiés par Sony. Les réglages de circuit dont l'importance est critique pour la sécurité du fonctionnement sont identifiés dans le présent manuel. Suivre ces procédures lors de chaque remplacement de composants critiques, ou lorsqu'un mauvais fonctionnement suspecte.

## SAFETY CHECK-OUT

After correcting the original service problem, perform the following safety checks before releasing the set to the customer:

1. Check the area of your repair for unsoldered or poorly soldered connections. Check the entire board surface for solder splashes and bridges.
2. Check the interboard wiring to ensure that no wires are "pinched" or touching high-wattage resistors.
3. Check that all control knobs, shields, covers, ground straps, and mounting hardware have been replaced. Be absolutely certain that you have replaced all the insulators.
4. Look for unauthorized replacement parts, particularly transistors, that were installed during a previous repair. Point them out to the customer and recommend their replacement.
5. Look for parts which, though functioning, show obvious signs of deterioration. Point them out to the customer and recommend their replacement.
6. Check the line cords for cracks and abrasion. Recommend the replacement of any such line cord to the customer.
7. Check the B+ and HV to see if they are specified values. Make sure your instruments are accurate; be suspicious of your HV meter if sets always have low HV.
8. Check the antenna terminals, metal trim, "metallized" knobs, screws, and all other exposed metal parts for AC leakage. Check leakage as described below.

### Leakage Test

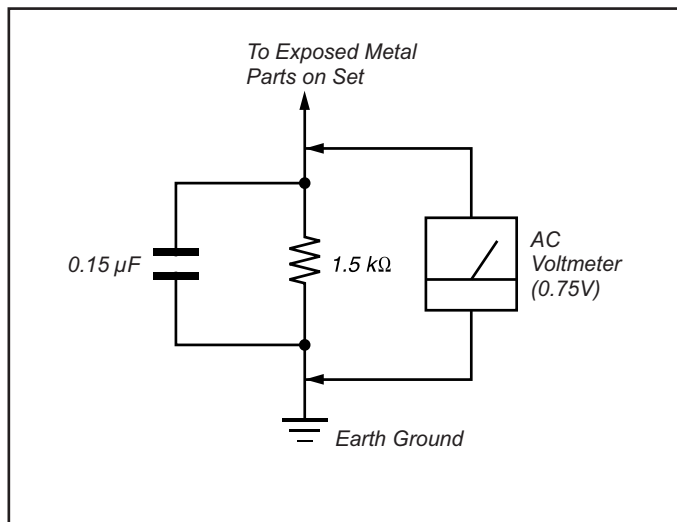


Figure A. Using an AC voltmeter to check AC leakage.

The AC leakage from any exposed metal part to earth ground and from all exposed metal parts to any exposed metal part having a return to chassis, must not exceed 0.5 mA (500 microamperes). Leakage current can be measured by any one of three methods.

1. A commercial leakage tester, such as the Simpson 229 or RCA WT-540A. Follow the manufacturers' instructions to use these instructions.
2. A battery-operated AC milliammeter. The Data Precision 245 digital multimeter is suitable for this job.
3. Measuring the voltage drop across a resistor by means of a VOM or battery-operated AC voltmeter. The "limit" indication is 0.75 V, so analog meters must have an accurate low voltage scale. The Simpson's 250 and Sanwa SH-63TRD are examples of passive VOMs that are suitable. Nearly all battery-operated digital multimeters that have a 2 VAC range are suitable (see Figure A).

### How to Find a Good Earth Ground

A cold-water pipe is a guaranteed earth ground; the cover-plate retaining screw on most AC outlet boxes is also at earth ground. If the retaining screw is to be used as your earth ground, verify that it is at ground by measuring the resistance between it and a cold-water pipe with an ohmmeter. The reading should be zero ohms.

If a cold-water pipe is not accessible, connect a 60- to 100-watt trouble-light (not a neon lamp) between the hot side of the receptacle and the retaining screw. Try both slots, if necessary, to locate the hot side on the line; the lamp should light at normal brilliance if the screw is at ground potential (see Figure B).

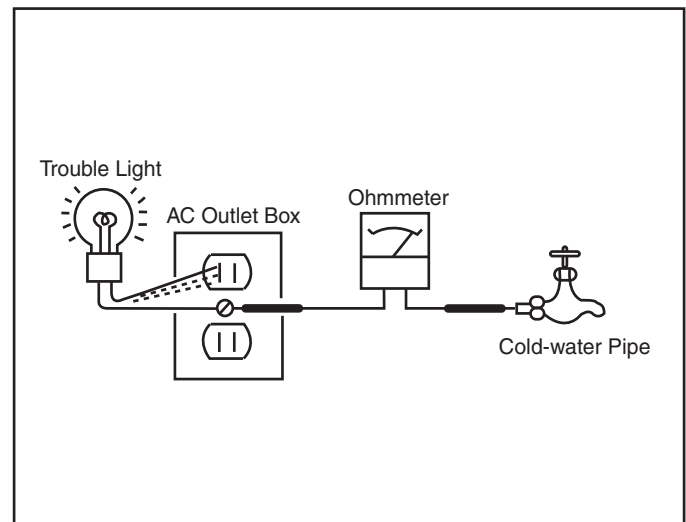


Figure B. Checking for earth ground.

## SELF-DIAGNOSTIC FUNCTION



The units in this manual contain a self-diagnostic function. If an error occurs, the POWER LED will automatically begin to flash. The number of times the LED flashes translates to a probable source of the problem. A definition of the POWER LED flash indicators is listed in the instruction manual for the user's knowledge and reference. If an error symptom is difficult to reproduce use the Remote Commander to display the record that is stored at the internal NVM to specify the cause of the failure.

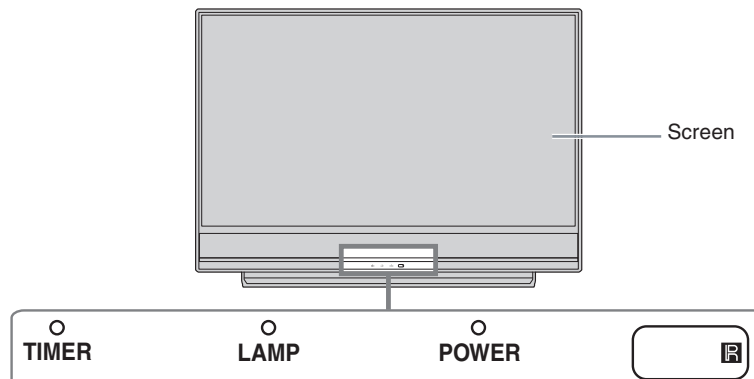
### Diagnostic Test Indicators

When an error occurs, the POWER LED will flash a set number of times to indicate the possible cause of the problem. If there is more than one error, the POWER LED will identify the first of the problem areas. If the errors occur simultaneously, the one that corresponds to the fewest flashes is identified first.

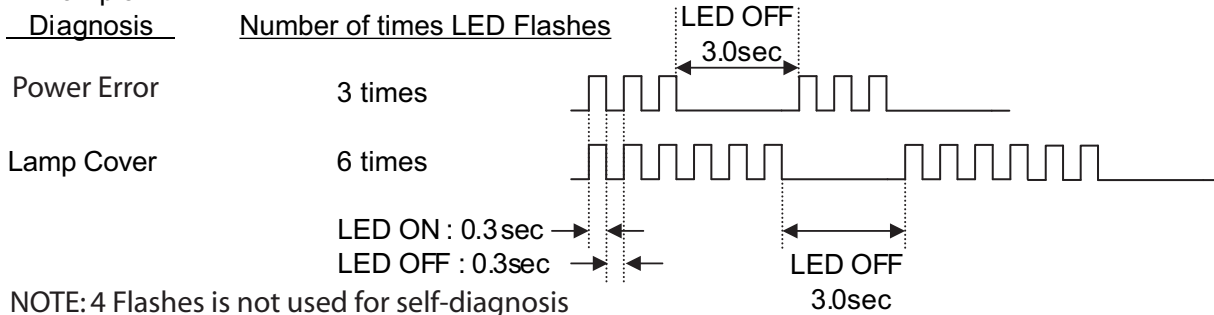
Results for all of the following diagnostic items are displayed on screen. (No error has occurred if the screen displays a "0".)

NUMBER OF TIMES LED BLINKS	SELF CHECK CODE	DIAGNOSIS ITEM	POSSIBLE CAUSE	POSSIBLE SOLUTION
2 times	POW_OVP	Power OVP	7V is over voltage	Check CN6903 on G Board
3 times	POW_ERR1	Power Error	12V is not supplied	Check CN6903 on G Board
5 times	LAMP_DRV	Lamp Driver	Problem with the lamp driver	Check Power Supply (Ballast) 400V (CN6501 on G Board) Check IC4001 on FB1A Board
6 times	COVER	Lamp Cover	Lamp cover is not securely attached	Secure Lamp Door. Verify harness is connected to T Board.
7 times	TEMP_ERR	Temperature Over	Inner temperature is too high	Remove dust from fan and ventilation is clear.
8 times	AUD_PROT	Audio Protect Error	Short in speaker line	Check A Board or replace speaker
9 times	FAN_ERR	Fan Error	Fan is not getting power. Fan connector is not securely attached.	Secure harness to fan. Check CN4001 or CN5602 on FB1A Board. Check CN6900 on G Board.
10 times	DTT_ERR	Microprocessor Error	DTT_WDT (Watch Dog Timer)	Check FB1A Board
11 times	DEV_ERR	Device Error	I2C Communication Error	Check S2, H2, and C Board and all connection to the FB1A Board
LAMP-LED flashes		Lamp Error	Lamp needs to be replaced.	Change the lamp.

### DISPLAY OF POWER LED OR LAMP LED FLASH COUNT



- Example  
Diagnosis



### RELEASING THE POWER LED LASH

Unplug the power cord from the outlet to temporarily stop the POWER LED lamp from flashing.

#### Self-Diagnostic Screen Display

For failures that are difficult to reproduce, or accompany occasional power off and/or picture mute, the Self-Diagnostic Self Check screen display is useful to specify the cause.

### VIEWING THE SELF-DIAGNOSTIC SELF CHECK SCREEN

1. TV must be in standby mode. (Power off).
2. Press the following buttons on the Remote Commander within a second of each other:



NOTE: ↑ This differs from the method of accessing service mode which is Volume +

#### Sample Self-Diagnostic Screen Display

LED	Display	Information Indicator Column	Displays Time of last 3 events
<b>SELF CHECK</b>			
002 :	POW_OVP	0501210811 0412311234 0311111825	00
003 :	POW_ERR1	-----	00
005 :	LAMP_DRV	-----	00
006 :	COVER	-----	01
007 :	TEMP_ERR	-----	00
008 :	AUD_PROT	-----	00
009 :	FAN_ERR	-----	00
010 :	DTT_ERR	-----	00
011 :	DEV_ERR	-----	00
013 :		-----	00
101 :	DTT_WDT	-----	00
102 :	TVM_WDT	-----	00
103 :	BEM_WDT	-----	00
255 :	LAMP_ERR	-----	00
00013-00028-00012-00012			← Boot count and operation time

1 indicates an error was detected  
0 indicates no error was detected

\*WDT- Watch Dog Timers  
\*(Watch Dog Timers are used to track micro processors, not to record errors.)

Boot count (max 65535)    Total lamp hours  
Total hours of operations    Total Panel hours (max 65535)

NOTE: To refresh the Self Check menu when all the items are not displayed, press JUMP on the Remote Commander.

### CLEARING THE SELF-DIAGNOSTIC SCREEN

The self-diagnostic results displayed on the screen are not cleared automatically, therefore you should always check the self-diagnostic screen during repairs. When you have completed the repairs, clear the self-diagnostic screen to reset the results to "0".

**Note: The self-diagnostic function will not be able to detect any subsequent faults after completion of the repairs unless the Self-Diagnostic result display is cleared to reset the results to "0".**

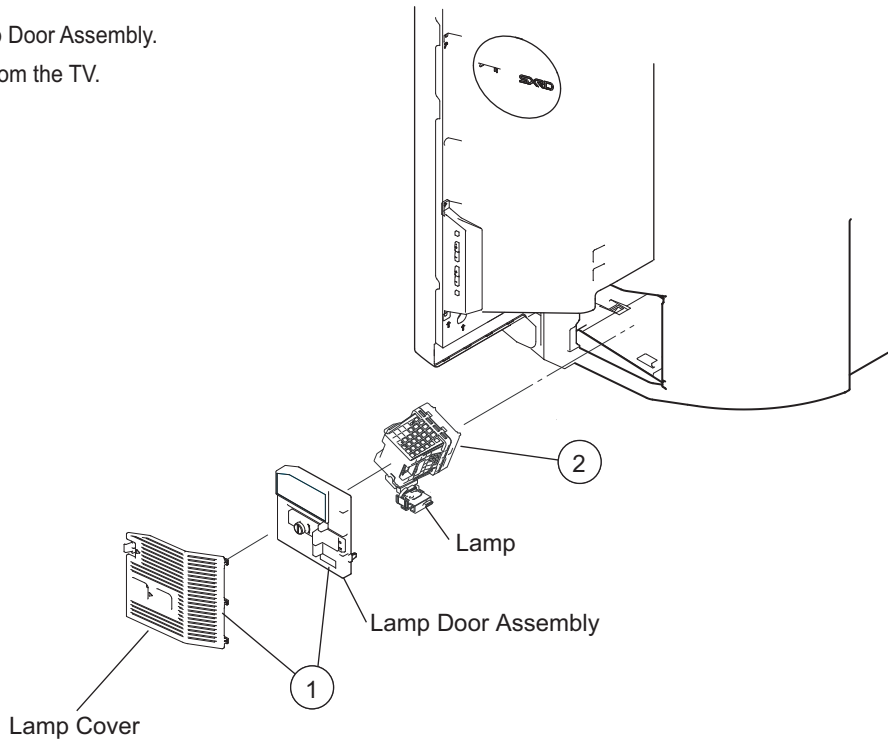
1. If the Self-Diagnostic screen is already displayed, proceed to step 3. If not, Power off (Set to Standby mode).
2. Press DISPLAY → Channel 5 → Volume - → POWER
3. Press Channel 8 → 0 The status resets to 0.
4. To exit the Self-Diagnostic screen, turn the power off.

## SECTION 1: DISASSEMBLY

### 1-1. LAMP REMOVAL

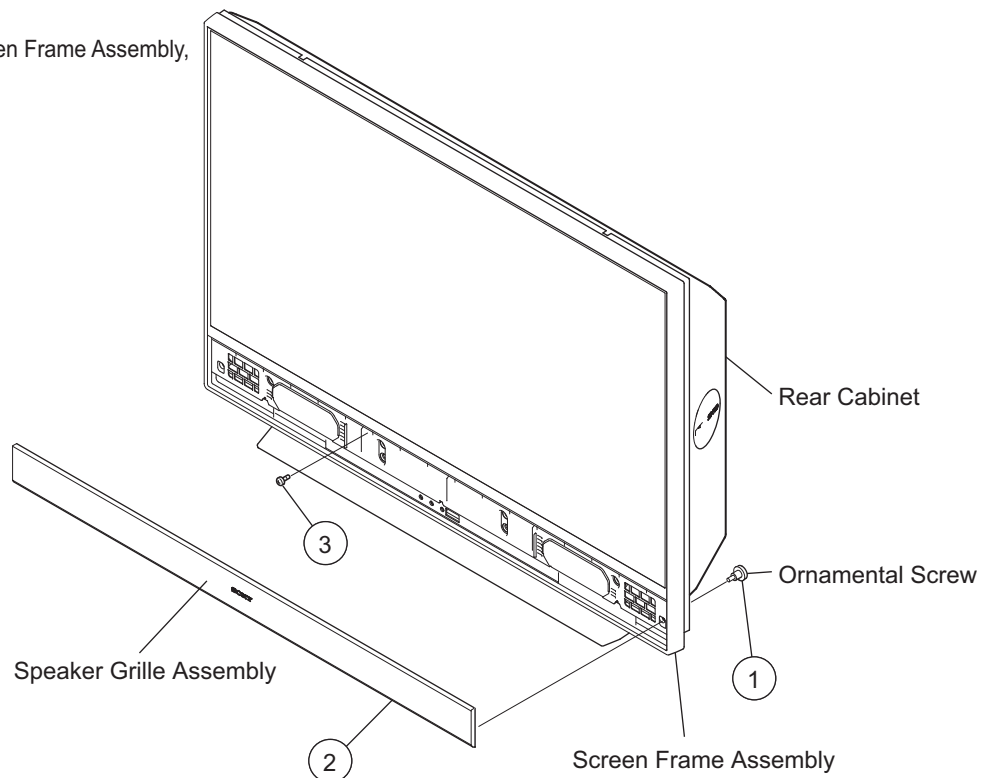
For detailed instructions refer to Appendix B: Replacing the Lamp, at the back of this manual.

- ① Remove the Lamp Cover and the Lamp Door Assembly.
- ② Gently pull out Lamp Block assembly from the TV.



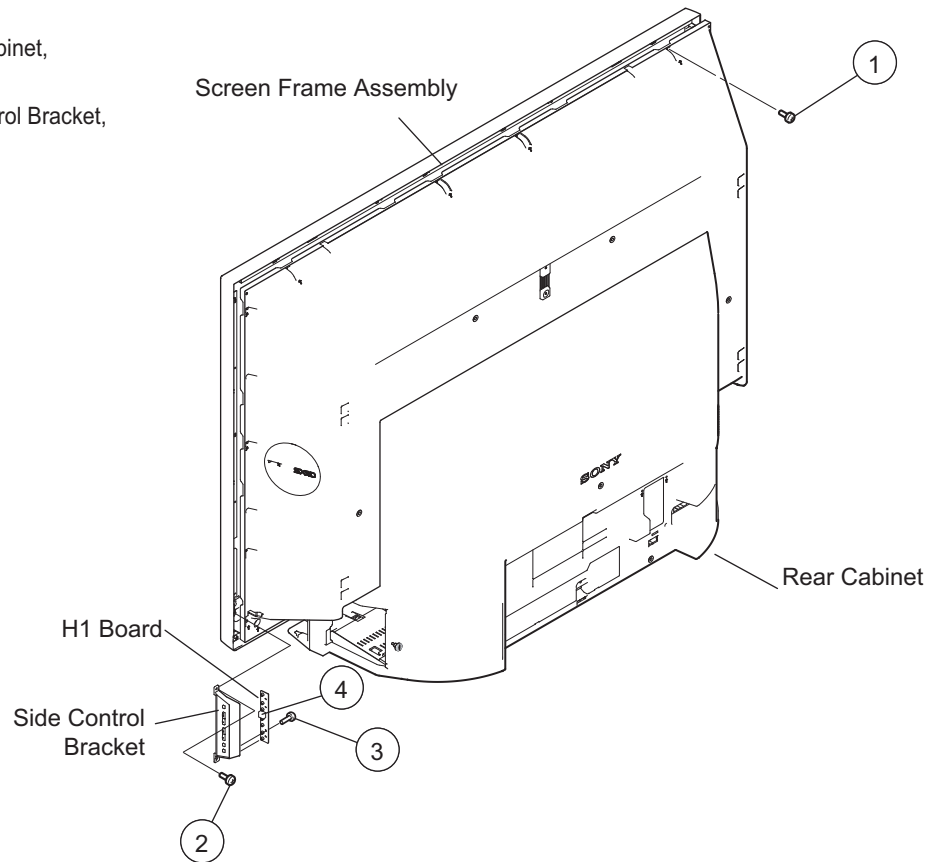
### 1-2. SCREEN FRAME ASSEMBLY AND SPEAKER GRILLE ASSEMBLY REMOVAL

- ① Loosen the 2 Ornamental Screws (one from each side).
- ② Pull off the Speaker Grille Assembly from the Screen Frame Assembly.
- ③ Remove 2 screws from the Screen Frame Assembly, +BVTP2 4x16



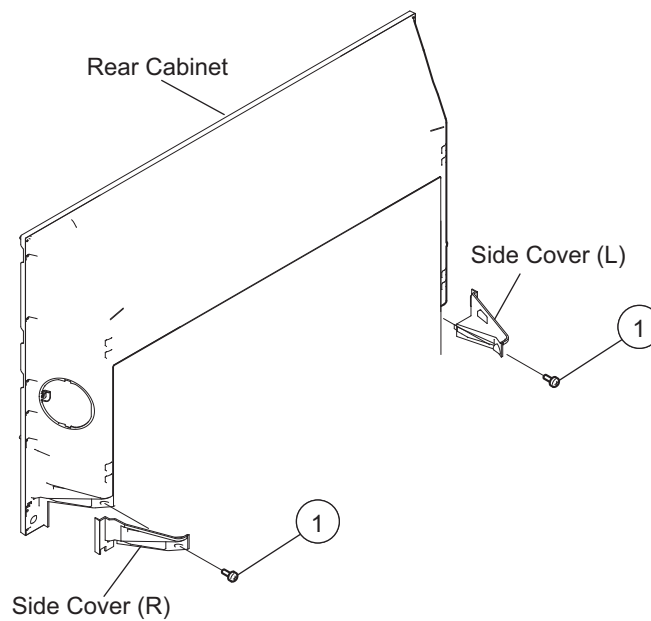
### 1-3. REAR COVER REMOVAL AND H1 BOARD BRACKET REMOVAL

- ① Remove 12 screws from the Rear Cabinet,  
+BVTP2 4x16
- ② Remove 2 screws from the Side Control Bracket,  
+BVTP2 4x16
- ③ Remove 1 screws from the H1 Board,  
+BVTP 3x12 TYPE2 IT-3
- ④ Release one connector.



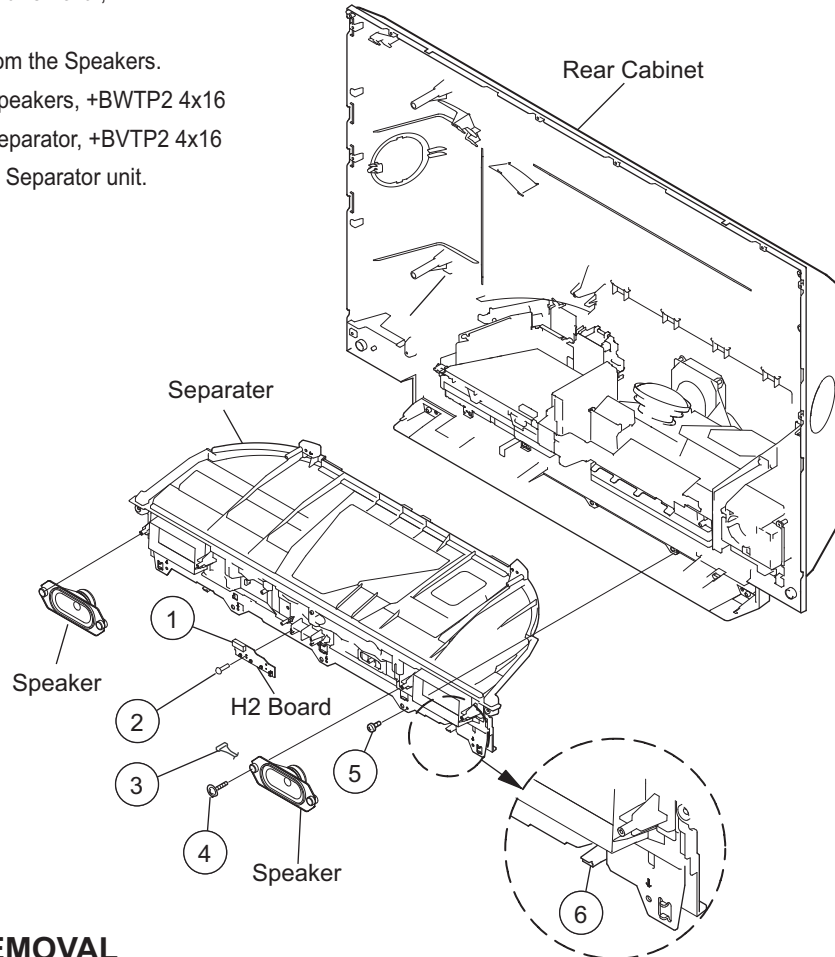
#### 1-3-1. SIDE COVER REMOVAL (KDS-50A3000 ONLY)

- ① Remove 4 screws from the Side Covers (2 from each side),  
+BVTP2 4x16



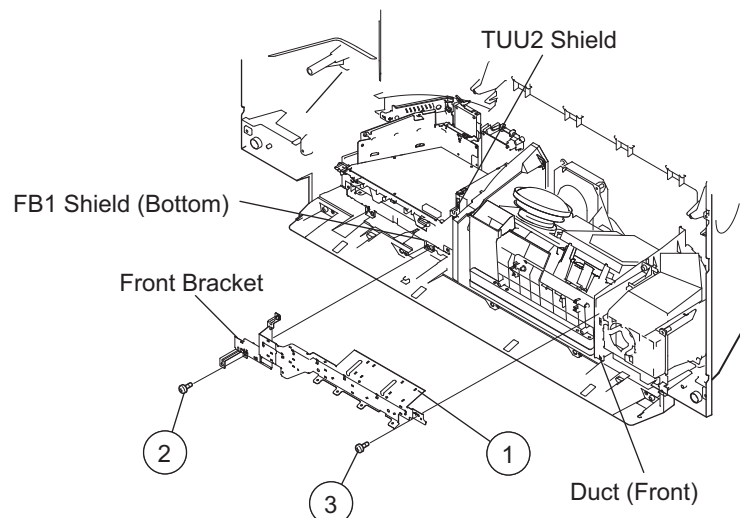
## 1-4. H2 BOARD, SPEAKER, AND SEPARATOR REMOVAL

- ① Disconnect joint connector from the H2 board.
- ② Remove 2 screws for H2 board removal, +BVTP 3x12 TYPE2 IT-3
- ③ Disconnect joint connector from the Speakers.
- ④ Remove 4 screws from the Speakers, +BWTP2 4x16
- ⑤ Remove 6 screws from the Separator, +BVTP2 4x16
- ⑥ Lift two tabs and slide out the Separator unit.



## 1-5. FRONT BRACKET REMOVAL

- ① Release all connector wire from Clamps on the Front Bracket.
- ② Remove 2 screws from the Duct and the TUU2 Shield, +BVST 3x6
- ③ Remove 2 screws from the Chassis block, +BVTP2 4x16

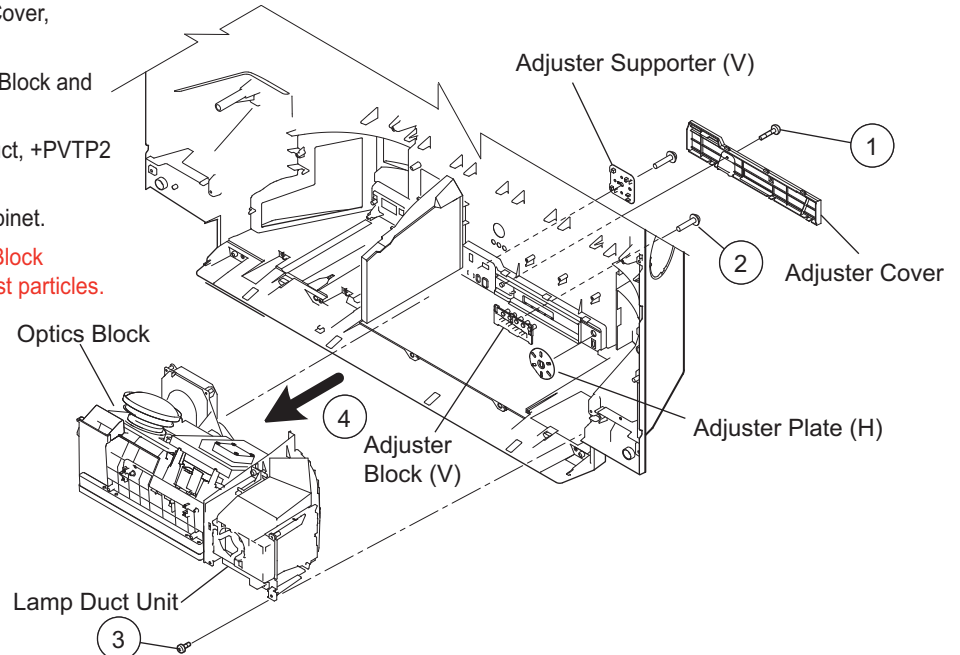




## 1-6. OPTICS BLOCK ASSEMBLY AND LAMP DUCT REMOVAL

- ① Remove 1 screw from the Adjuster Cover, +PVTP2 4x16
- ② Remove 2 screws from the Adjuster Block and the Supporter, +PWHTP2 4x25
- ③ Remove 2 screws from the Lamp Duct, +PVTP2 4x16
- ④ Gently pull out Optics Block from cabinet.

**Caution:** When replacing the Optics Unit Block Assembly be sure to remove any dust particles.

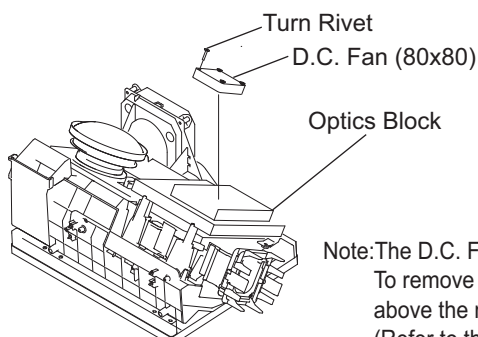
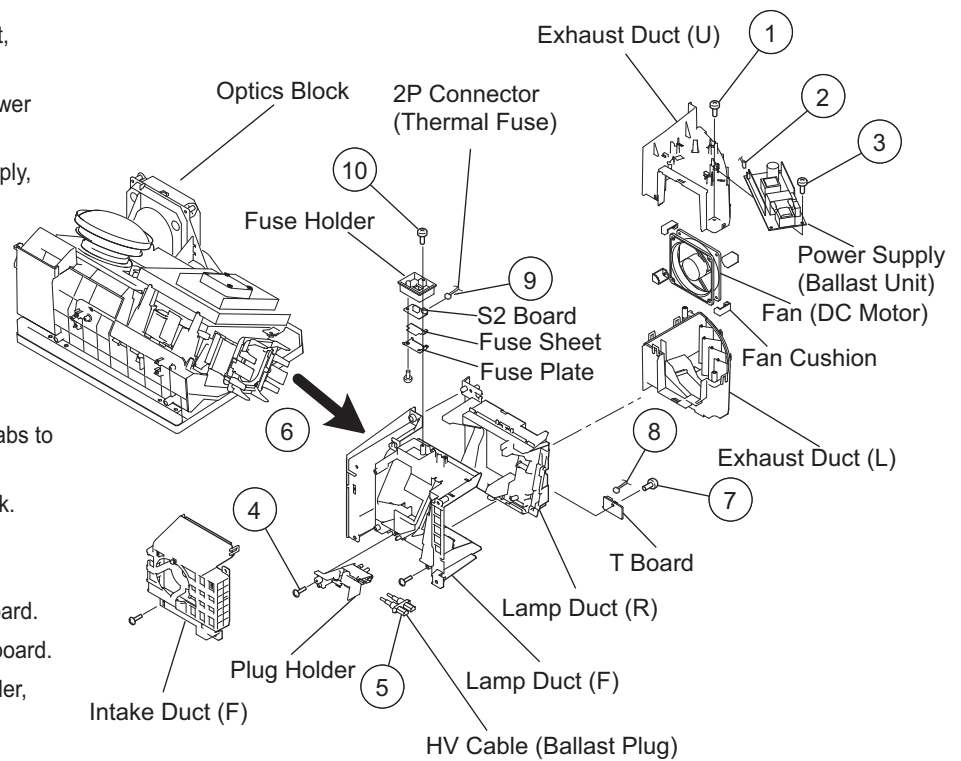


### 1-6-1. LAMP DUCT BLOCK DISASSEMBLY

- ① Remove 1 screw from the Upper Duct, +BVTP2 4x16
- ② Disconnect 2 connectors from the Power Supply (Ballast Unit).
- ③ Remove 1 screw from the Power Supply, +BVTP2 4x16
- ④ Remove 1 screw from the Power Supply, +BVTP2 4x16
- ⑤ Using caution not to damage the HV wires, push the HV Cable through the Plug Holder. (See Appendix C for illustrations.)

Note: To remove each duct, gently lift the tabs to release from the hooks.

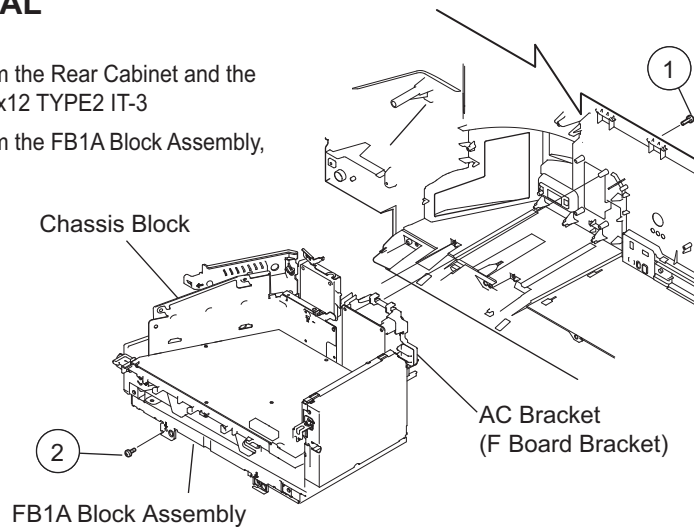
- ⑥ Carefully detach from the Optics Block.
- ⑦ Remove 1 screw from the T board, +BVTP 3x12 TYPE2 IT-3
- ⑧ Disconnect 1 connector from the T board.
- ⑨ Disconnect 1 connector from the S2 board.
- ⑩ Remove 2 screws from the Fuse Holder, +BVTP 3x12 TYPE2 IT-3



Note: The D.C. Fan is secured to the Optics Block Assembly with Turn Rivet screws. To remove these screws use a screw driver to unscrew the screw until it lifts slightly above the rivet then pull the screw and the rivet out from the fan. (Refer to the illustration to the left.)

## 1-7. CHASSIS REMOVAL

- ① Remove 2 screws from the Rear Cabinet and the AC Bracket, +BVTP 3x12 TYPE2 IT-3
- ② Remove 2 screws from the FB1A Block Assembly, +BVTP2 4x16

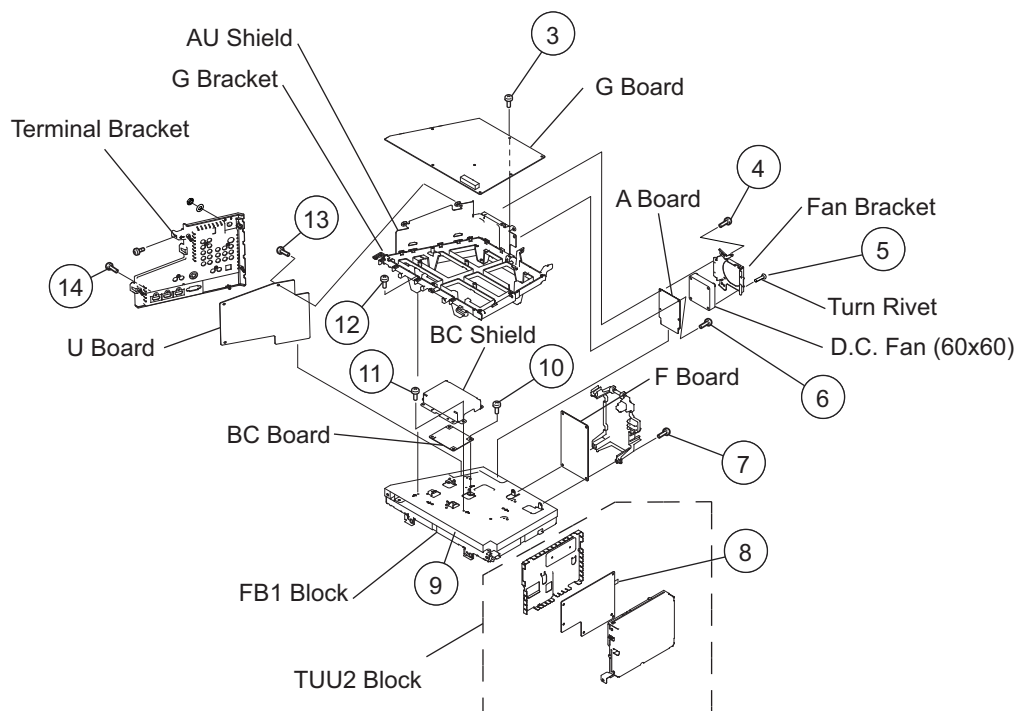


- ③ G Board – Disconnect 6 connectors then remove 6 screws, +BVTP 3x12 TYPE2 IT-3
- ④ Fan Bracket – Disconnect 1 Connector then remove 2 screws, +BVTP2 4x16
- ⑤ Turn Rivet – Unscrew and carefully pull out from the fan to release it from the shield.

Note: The fan is secured to the Chassis Assembly with Turn Rivet screws. To remove these screws use a screw driver to unscrew the screw until it lifts slightly above the rivet then pull the screw and the rivet out from the fan.

- ⑥ A Board – Disconnect 2 connectors then remove 3 screws, +BVST3x6, and pull out from the FB1A Block Assembly connector
- ⑦ F Board – Disconnect 2 connectors then remove 2 screws, +BVST 3x6
- ⑧ TUU2 Block – Release the RF connector
- ⑨ FB1A Block Assembly – Disconnect 6 connectors
- ⑩ BC Board – Disconnect 2 connectors then remove 2 screws, +BVST 3x6
- ⑪ BC Shield – Remove 3 screws, +BVST 3x6
- ⑫ G Bracket – Remove 6 screws, +BVST 3x6, then remove the AU Shield by removing 1 screw, +BVST 3x6
- ⑬ U Board – Disconnect 1 connector, remove 2 screws +BVST 3x6, and pull out from FB1A Block Assembly connector
- ⑭ Terminal Bracket - Remove 3 screws, +PSW M3x8, 5 screws, + BVTP 3x12 TYPE2 IT-3, and 1 Hex Nut and 1 Washer

**Caution:** When replacing any part of the chassis be sure to remove any dust particles and clean the mirror.

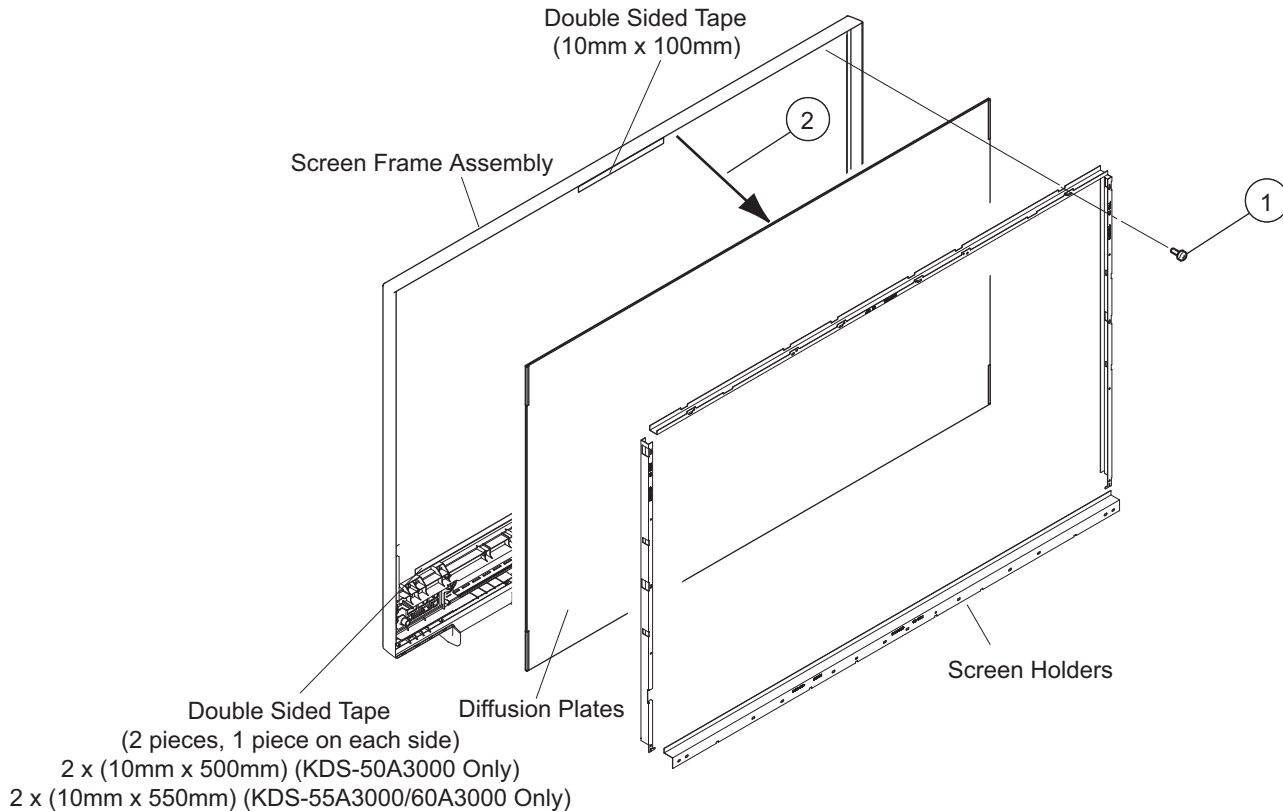


## 1-8. DIFFUSION PLATES (SCREENS) REMOVAL

### CAUTION:

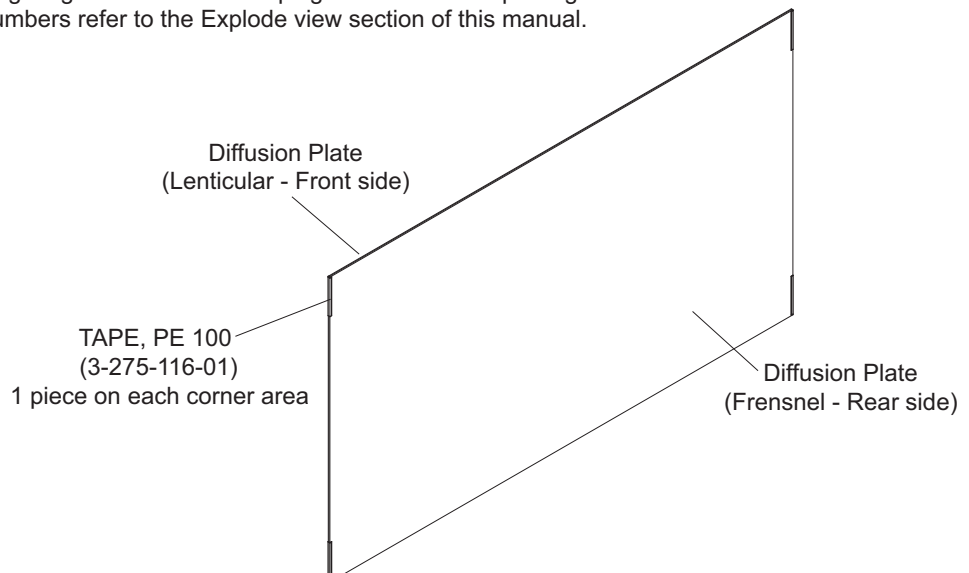
The screens are adhered to the Screen Frame Assembly with double sided tape (3-275-118-21). After removing the screens, use rubbing alcohol to gently clean the area to remove any excess tape. The double sided tape must be replaced before mounting the screens to the Screen Frame Assembly to ensure that they are securely attached. The illustration below indicates the approximate location of the double-side tape. For complete details, refer to the Sony Electronics Service Information website.

- ① Remove a total of 12 screws, +BVTP2 4x16  
2 screws from the Top Holder,  
8 screws from the Bottom Holder and  
1 screw from each of the side holders.
- ② Gently pull the screens from the Screen Frame Assembly  
to dislodge from the double sided tape.



### Note:

The following diagram illustrate the taping method when replacing the diffusion Plates. For Part Numbers refer to the Explode view section of this manual.



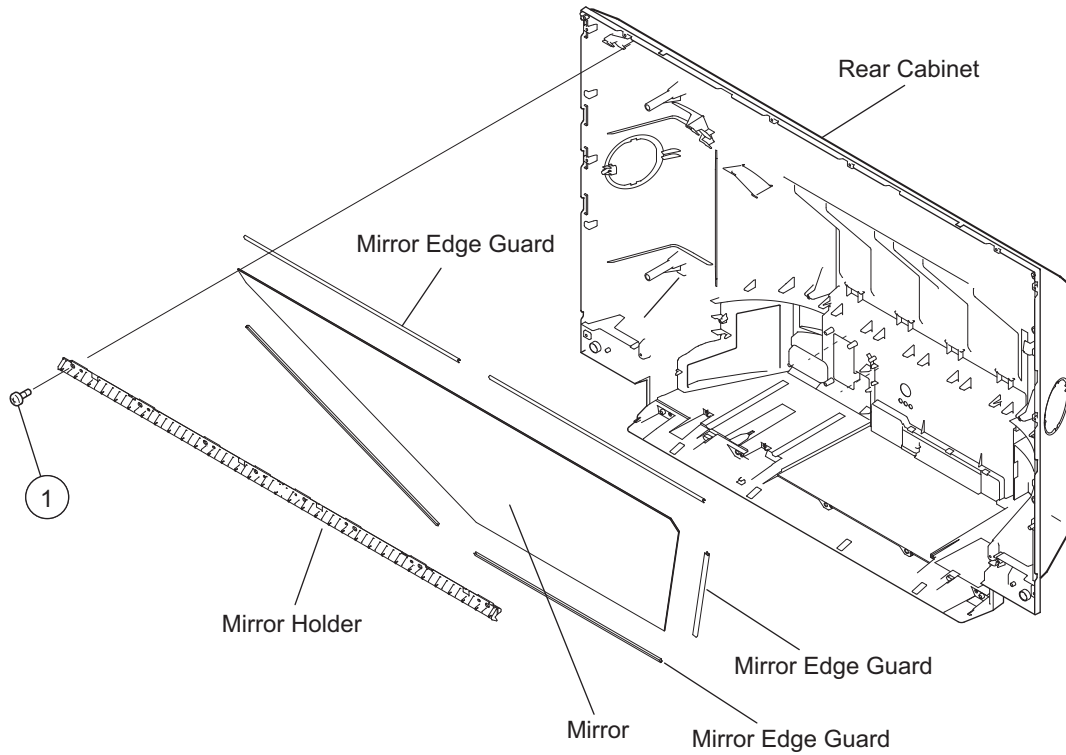
## 1-9. MIRROR REMOVAL

- ① Remove 6 screws (KDS-50/55A3000 Only),  
8 screws (KDS-60A3000 Only), +BVTP2 4x16

NOTE: Order the same part number to replace Top & Side Mirror Edge Guards.  
Refer to the Exploded View section of this manual for part number information.

**Caution:**

- Holder screws should be tightened from the center to the outer screw positions.



## SECTION 2: CIRCUIT ADJUSTMENTS

### 2-1. USING THE REMOTE COMMANDER FOR ELECTRICAL ADJUSTMENTS

To adjust various set features, use the Remote Commander to put the set into service mode to display the service menus and categories.

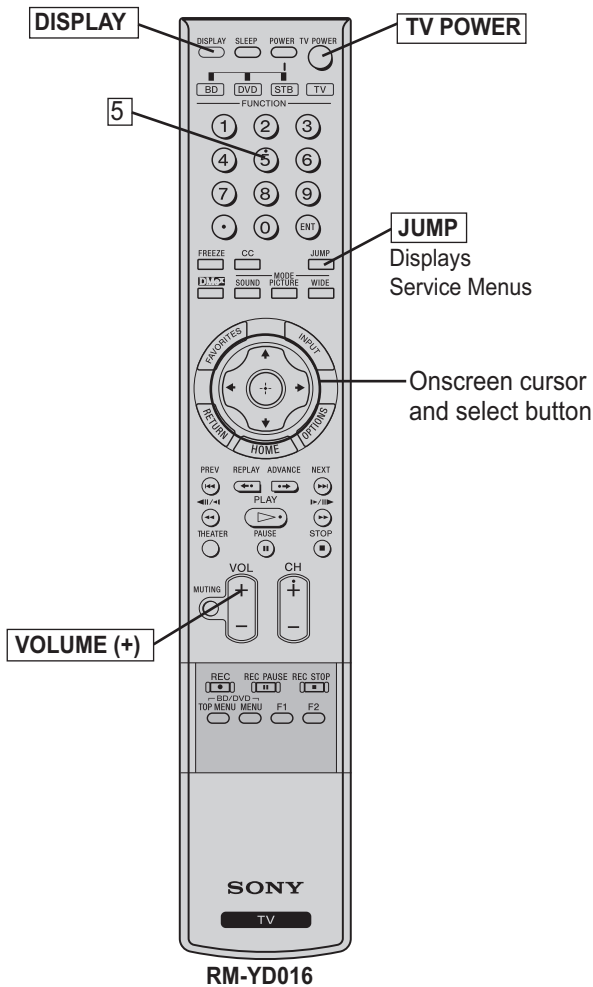
Equipment Needed:

- ✓ Pattern Generator (with component outputs)
- ✓ Oscilloscope
- ✓ Digital multimeter

### 2-2. ACCESSING SERVICE ADJUSTMENT MODE

1. TV must be in standby mode. (Power off).
2. Press the following buttons on the Remote Commander within a second of each other:

DISPLAY

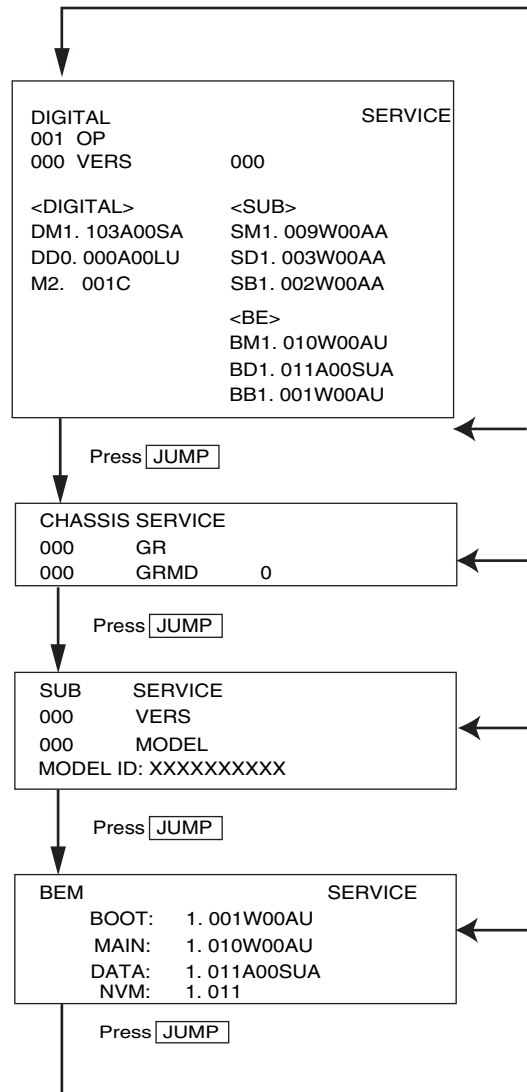
 → Channel 5 → Volume + → POWER.


The first service menu (TV) displays.

### 2-3. VIEWING THE SERVICE MENUS

Use the Remote Commander to view the BE and Digital service menus options.

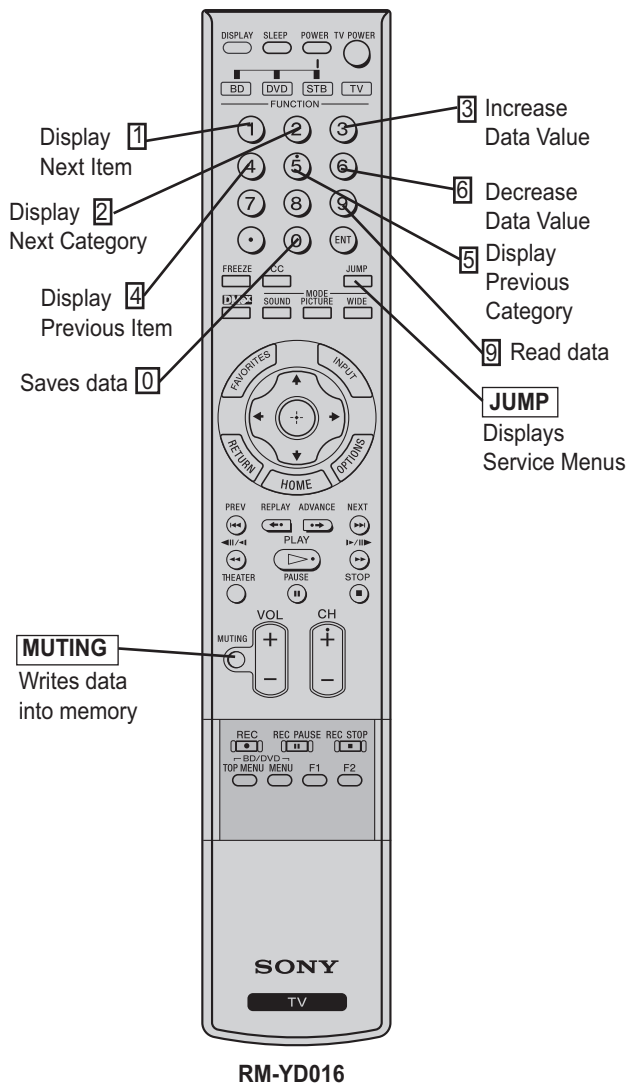
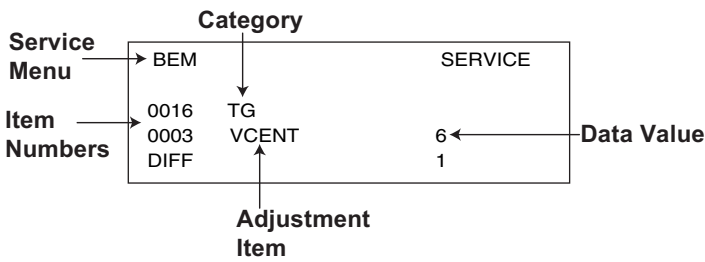
1. To display the **Service Menu** that contains the Category you want to adjust, press **JUMP** on the Remote Commander. (For a complete list of the service Categories refer to Service Menus)



Sample Service Menu

## 2-4. USING THE REMOTE COMMANDER TO VIEW SERVICE DATA

Use the buttons on the Remote Commander to access the service menu items and adjust the data values.



## 2-5. ADJUSTING H/V CENTER

Check the picture horizontal/vertical center after replacing the Optics Unit Block or Rear Cover.

1. Check the H/V center using a 480i monoscope signal with the TV in "FULL" model.
2. If the center is shifted, proceed to step 3.
3. Access the Service Menu by pressing the following buttons on the Remote Commander within a second:

**DISPLAY** → Channel **5** → Volume **+** → **TV POWER**.  
The service menu displays.

4. Press the **JUMP** button until the BEM micro service menu displays.

BEM	SERVICE
BOOT:	1. 001W00AU
MAIN:	1. 010W00AU
DATA:	1. 011A00SUA
NVM:	1. 011

5. Press **2** until the 0016 TG category displays.

BEM	SERVICE
0016	TG
0001	0
DIFF	1

6. Press **1** until the 0003 VCENT item displays.

BEM	SERVICE
0016	TG
0003	VCENT
DIFF	6
	1

7. Press **3** to increase (shift VCENT up), or press **6** to decrease the value (shift VCENT down) until the correct adjustment is set.

8. Press **1** until the 0004 HCENT item displays.

BEM	SERVICE
0016	TG
0004	HCENT
DIFF	5
	1

9. Press **3** to increase (shift HCENT right), or press **6** to decrease the value (shift HCENT left) until the correct adjustment is set.

10. To write into memory, press **MUTING** then **0** on the Remote Commander.

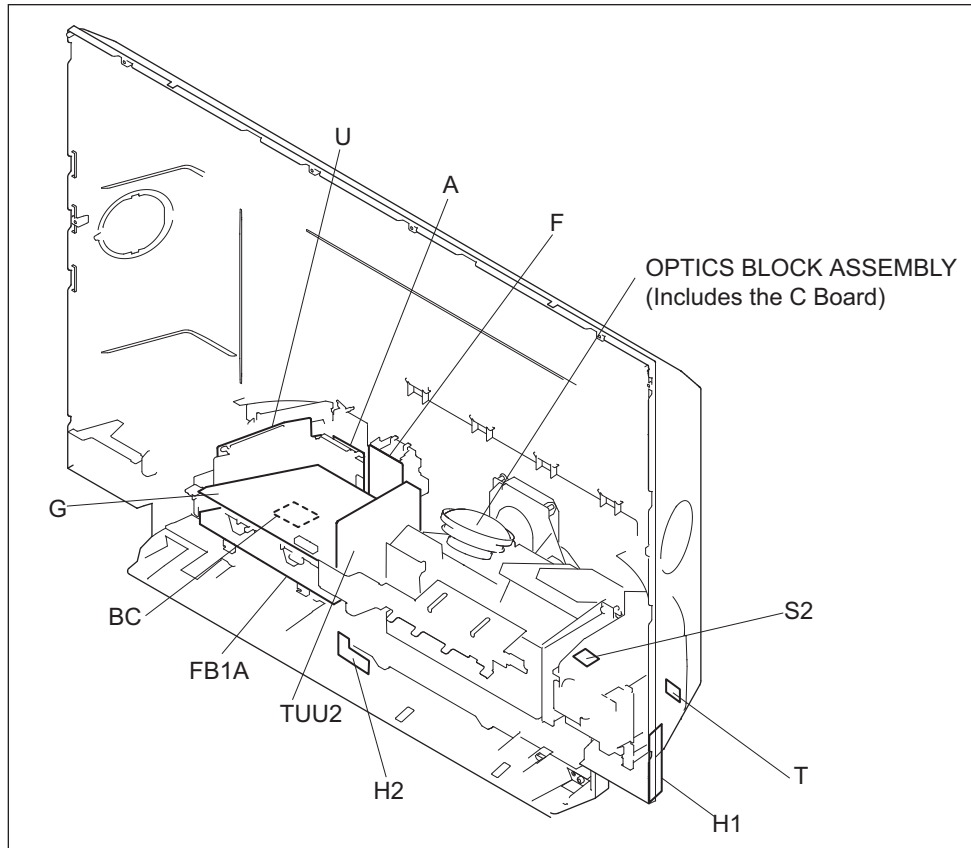
## 2-6. EXITING SERVICE MODE

After completing the changes, exit service mode.

1. To exit service mode, turn the power off by pressing **POWER**.  
Wait 2 minutes before restarting the set to allow the fans to completely shut down or the Service Menu will appear on the screen.

## SECTION 3: DIAGRAMS

### 3-1. CIRCUIT BOARDS LOCATION



### 3-2. PRINTED WIRING BOARDS AND SCHEMATIC DIAGRAMS INFORMATION

All capacitors are in  $\mu\text{F}$  unless otherwise noted.  $\text{pF}$  :  $\mu\text{F}$  50WV or less are not indicated except for electrolytics and tantalums.

All electrolytics are in 50V unless otherwise specified.

All resistors are in ohms.  $\text{k}\Omega=1000\Omega$ ,  $\text{M}\Omega=1000\text{k}\Omega$

Indication of resistance, which does not have one for rating electrical power, is as follows: Pitch : 5mm

Rating electrical power :  $\frac{1}{4}$  W

$\frac{1}{4}$  W in resistance,  $\frac{1}{10}$  W and  $\frac{1}{16}$  W in chip resistance.

: nonflammable resistor

: fusible resistor

: internal component

: panel designation and adjustment for repair

: earth ground

: earth-chassis

All variable and adjustable resistors have characteristic curve B, unless otherwise noted.

Readings are taken with a color-bar signal input.

Readings are taken with a  $10\text{M}\Omega$  digital multimeter.

Voltages are DC with respect to ground unless otherwise noted.

Voltage variations may be noted due to normal production tolerances.

All voltages are in V.

S : Measurement impossibility.

: B+line.

: B-line. (Actual measured value may be different).

: signal path. (RF)

Circled numbers are waveform references.

The components identified by shading and are critical for safety. Replace only with part number specified.

The symbol indicates a fast operating fuse and is displayed on the component side of the board. Replace only with fuse of the same rating as marked.

Les composants identifiés par un trame et une marque sont critiques pour la sécurité. Ne les remplacer que par une pièce portant le numéro spécifié.

Le symbole indique une fusible à action rapide. Doit être remplacé par une fusible de même valeur, comme marqué.

**NOTE:** The components identified by a red outline and a mark contain confidential information. Specific instructions must be adhered to whenever these components are repaired and/or replaced.

See Appendix A: Encryption Key Components in the back of this manual.

## REFERENCE INFORMATION

### RESISTOR

- : RN METAL FILM
- : RC SOLID
- : FPRD NONFLAMMABLE CARBON
- : FUSE NONFLAMMABLE FUSIBLE
- : RW NONFLAMMABLE WIREWOUND
- : RS NONFLAMMABLE METAL OXIDE
- : RB NONFLAMMABLE CEMENT
- : ※ ADJUSTMENT RESISTOR

### COIL

- : LF-8L MICRO INDUCTOR

### CAPACITOR

- : TA TANTALUM
- : PS STYROL
- : PP POLYPROPYLENE
- : PT MYLAR
- : MPS METALIZED POLYESTER
- : MPP METALIZED POLYPROPYLENE
- : ALB BIPOLAR
- : ALT HIGH TEMPERATURE
- : ALR HIGH RIPPLE

## Terminal name of semiconductors in silk screen printed circuit (※)

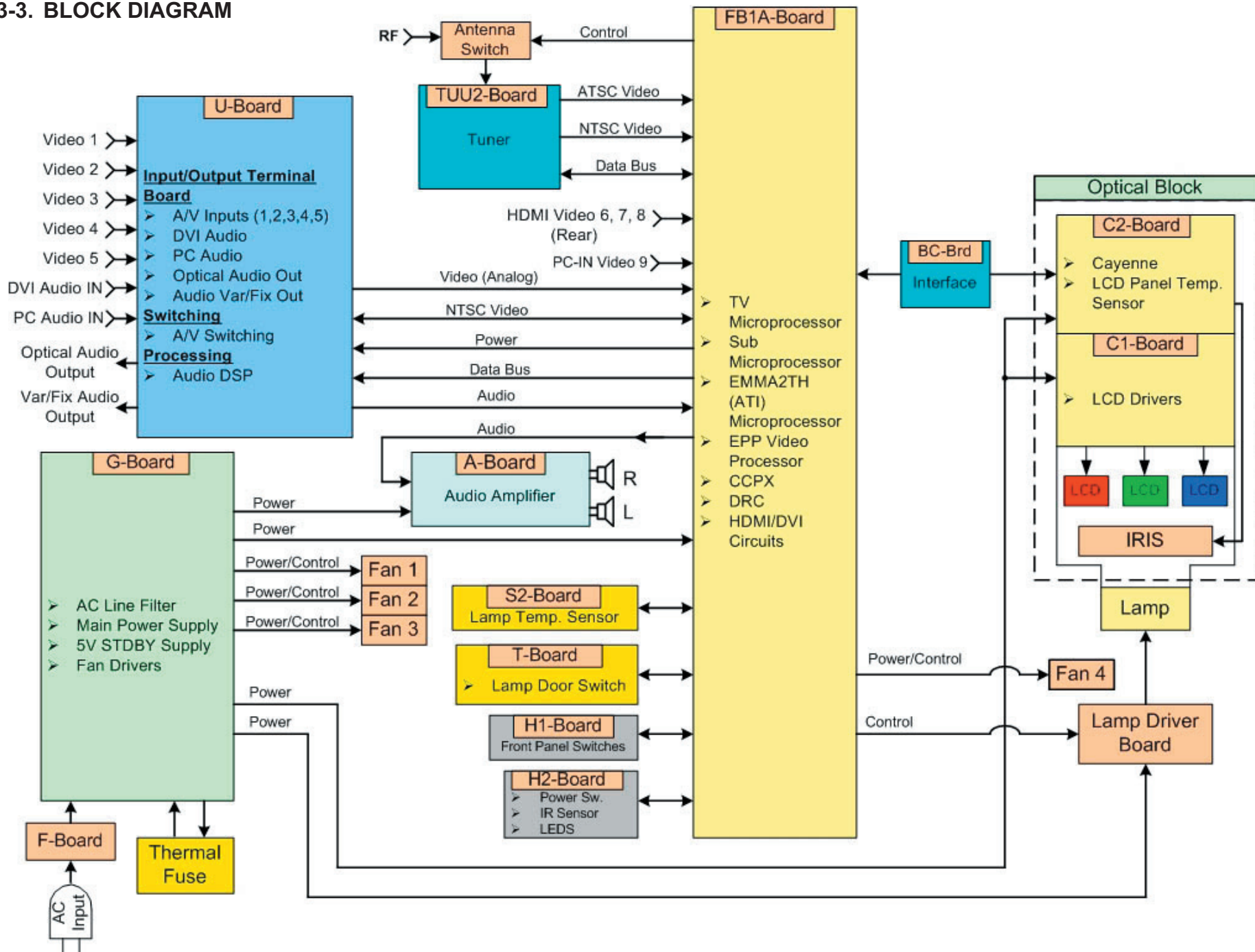
	Device	Printed symbol	Terminal name	Circuit
①	Transistor		Collector Base Emitter	
②	Transistor		Collector Base Emitter	
③	Diode		Cathode Anode	
④	Diode		Cathode Anode (NC)	
⑤	Diode		Cathode Anode (NC)	
⑥	Diode		Common Anode Cathode	
⑦	Diode		Common Anode Cathode	
⑧	Diode		Common Anode Anode	
⑨	Diode		Common Anode Anode	
⑩	Diode		Common Cathode Cathode	
⑪	Diode		Common Cathode Cathode	
⑫	Diode		Anode Anode Cathode Anode	
⑬	Transistor (FET)		Drain Source Gate	
⑭	Transistor (FET)		Drain Source Gate	
⑮	Transistor (FET)		Source Drain Gate	
⑯	Transistor		Emitter Collector Base	
⑰	Transistor		C2(B1)E1 E2(B2)C1	
⑱	Transistor		C1(B2)E2 E1(B1)C2	
⑲	Transistor		C1 B2 E2 E1 B1 C2	
⑳	Transistor		C1 B2 E2 E1 B1 C2	
㉑	Transistor		E2 B1 E1 C2 C1(B2)	
㉒	Transistor		(B2) B1 E1 E2 C1 C2	
㉓	Transistor		(B2) E2 E1 B1 C2 C1	
—	Discrete semiconductot			

(Chip semiconductors that are not actually used are included.)

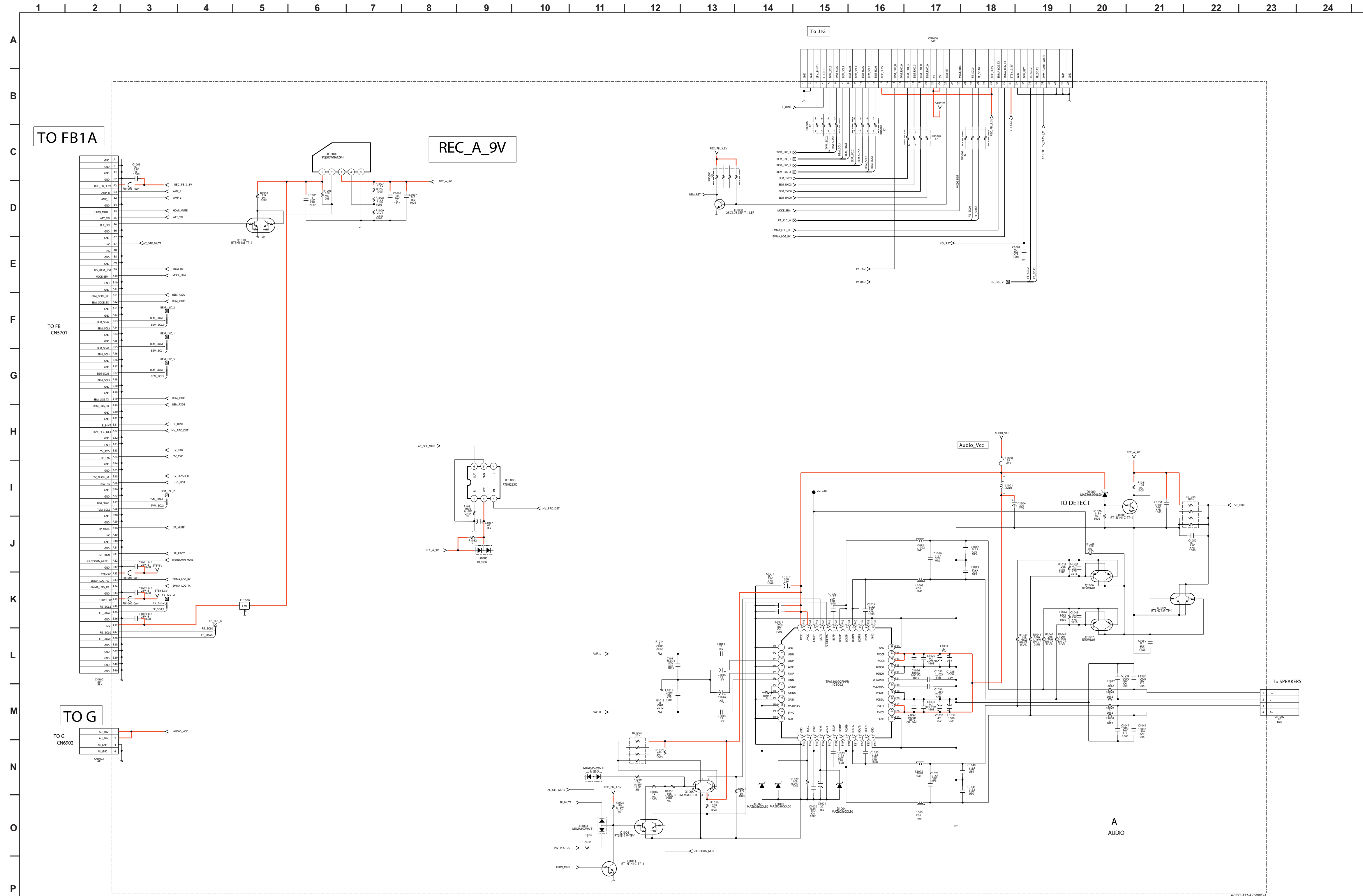
Ver.1.5



### 3-3. BLOCK DIAGRAM

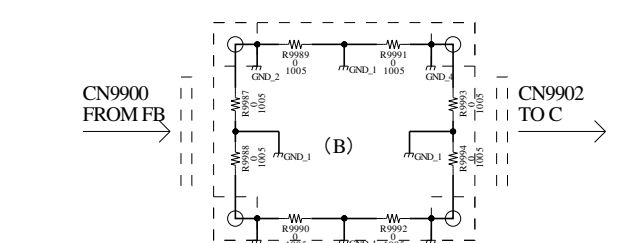
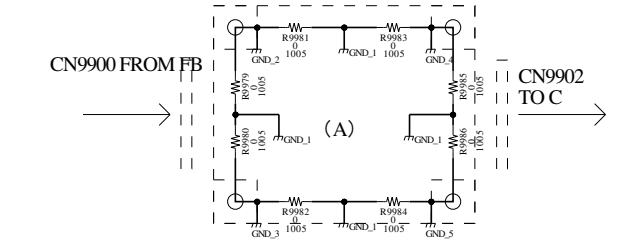
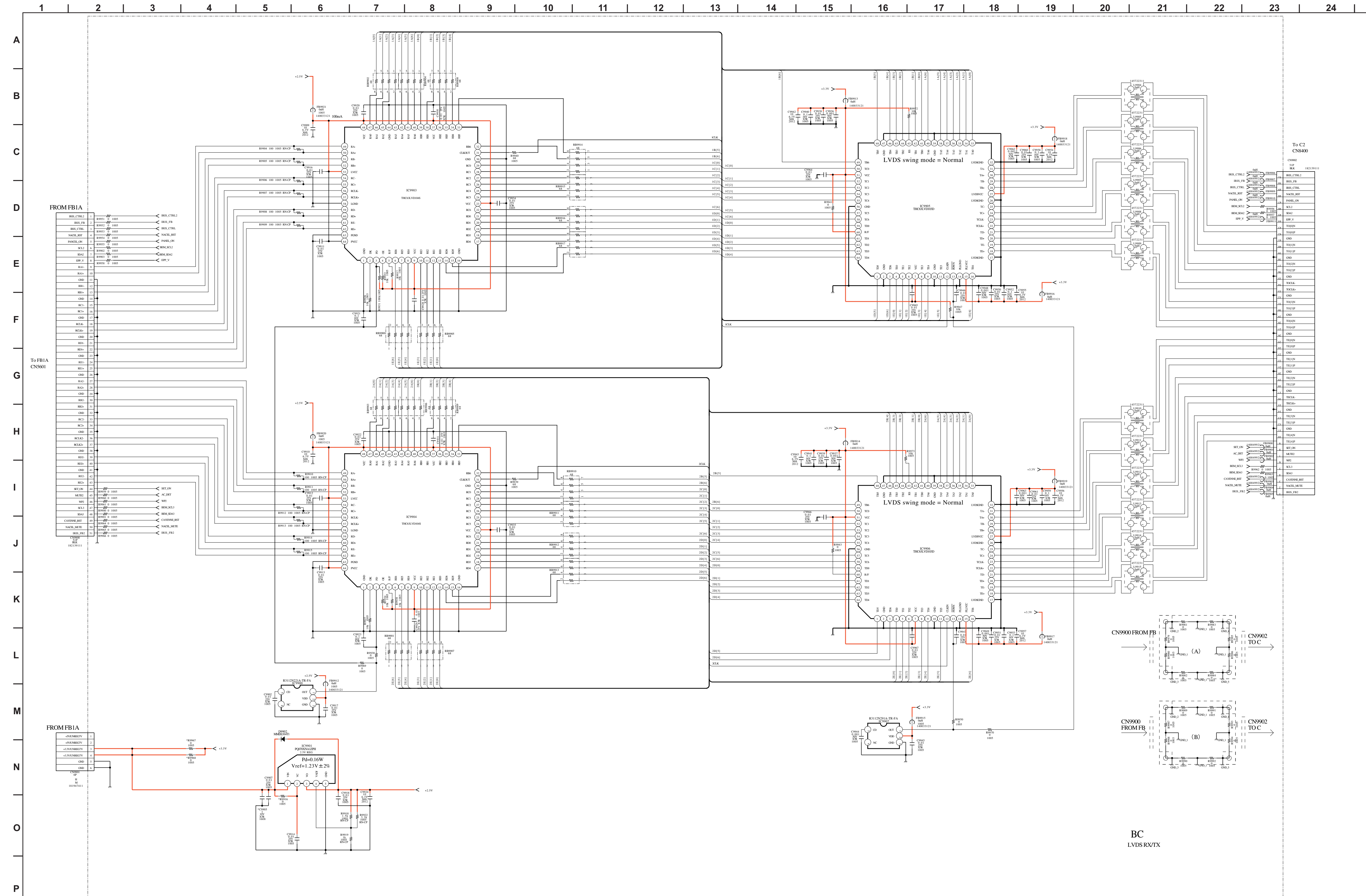


3-4. SCHEMATICS AND SUPPORTING INFORMATION  
A BOARD SCHEMATIC DIAGRAM





BC BOARD SCHEMATIC DIAGRAM

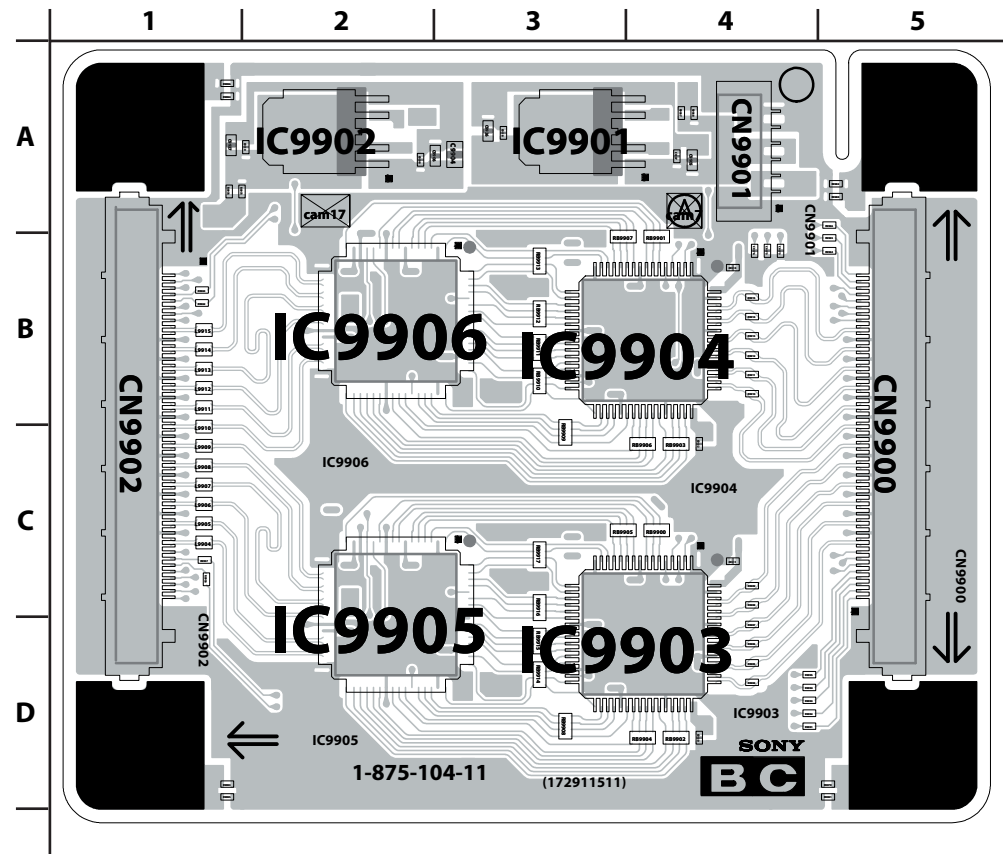


BC LVDS RX/TX



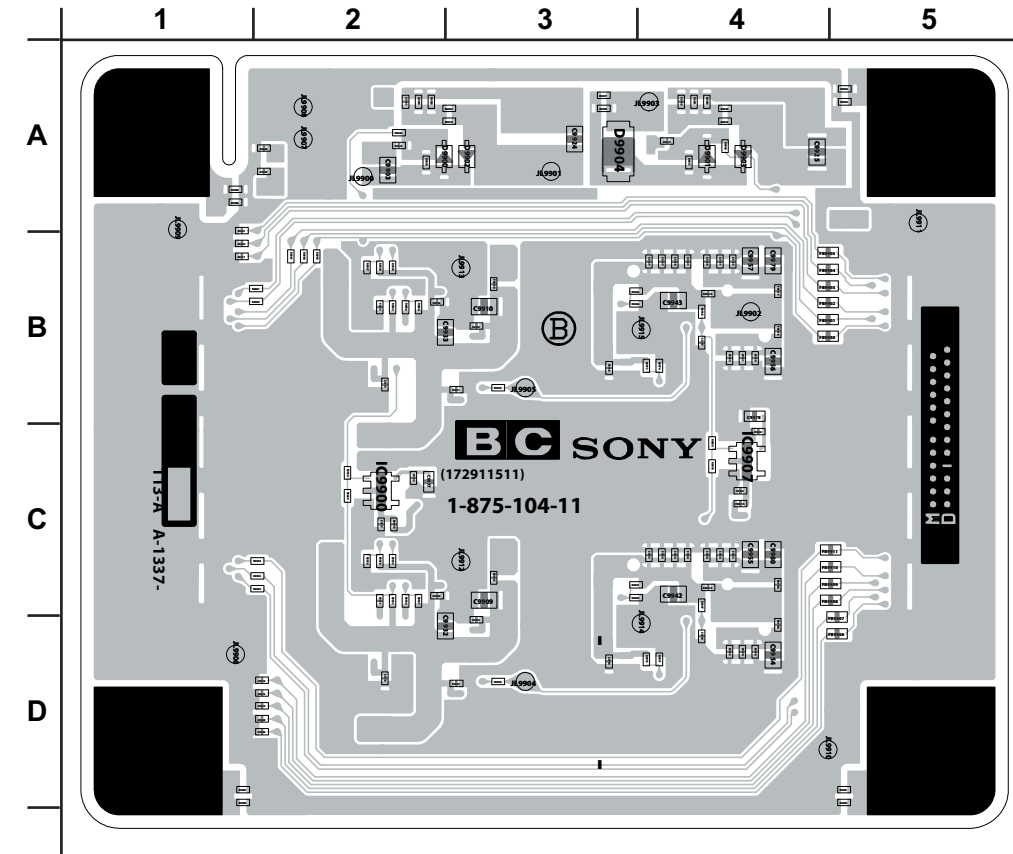
**BC** [LVDS RX/TX]

**COMPONENT SIDE**

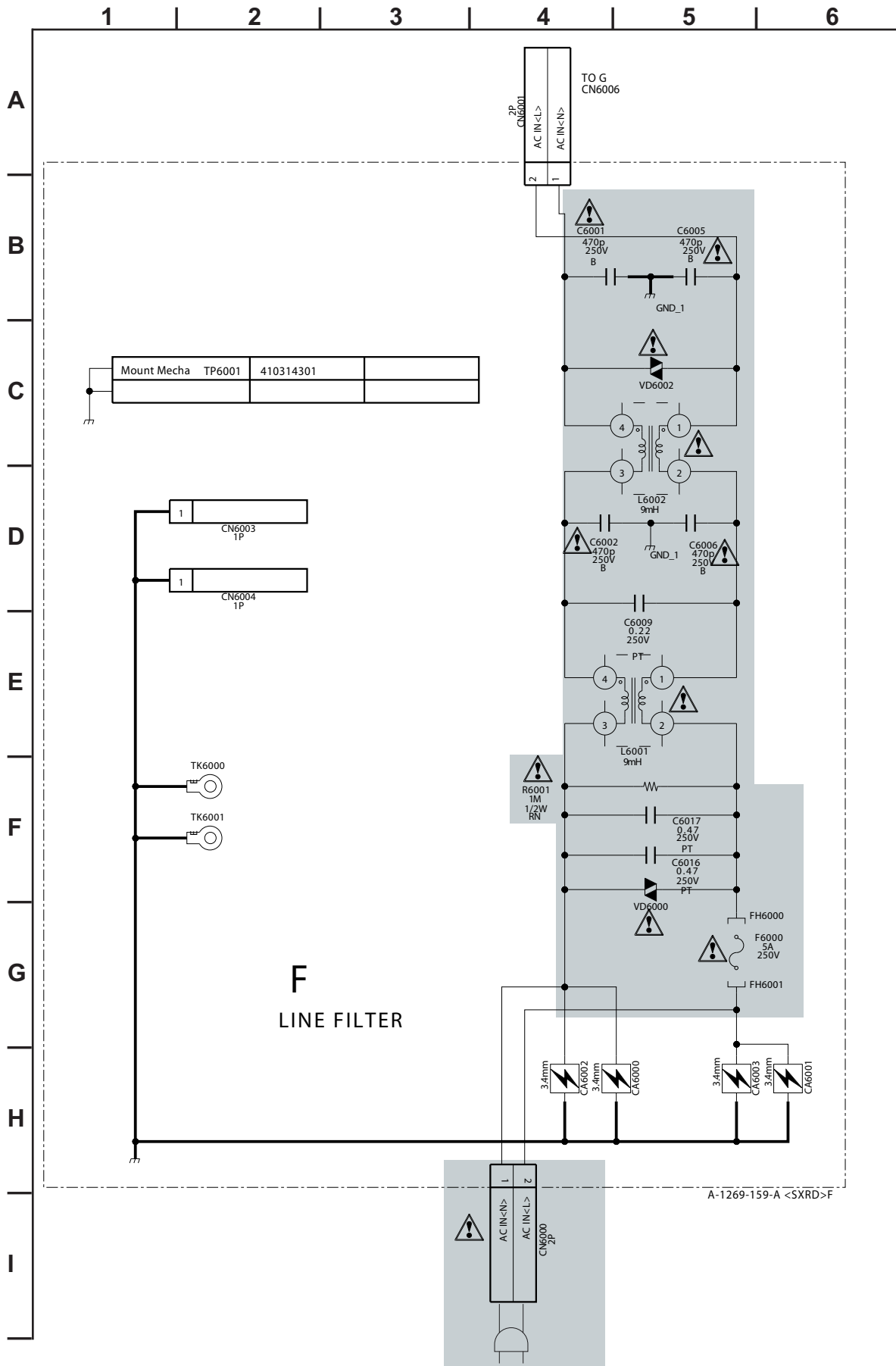


**BC** [LVDS RX/TX]

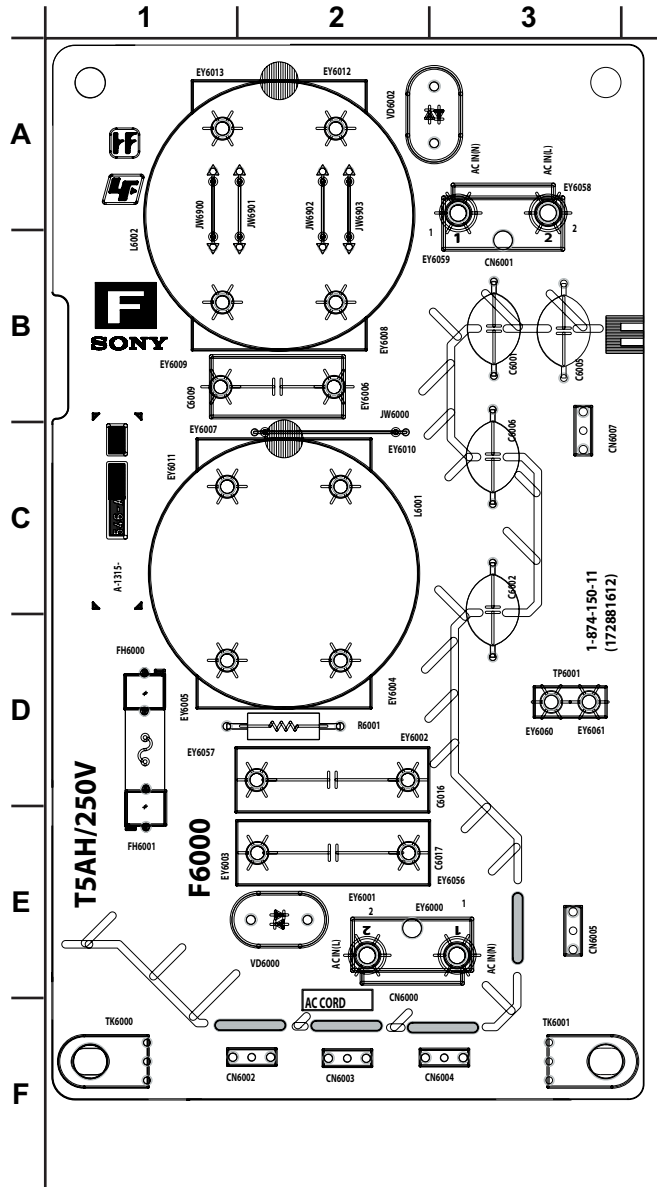
**CONDUCTOR SIDE**



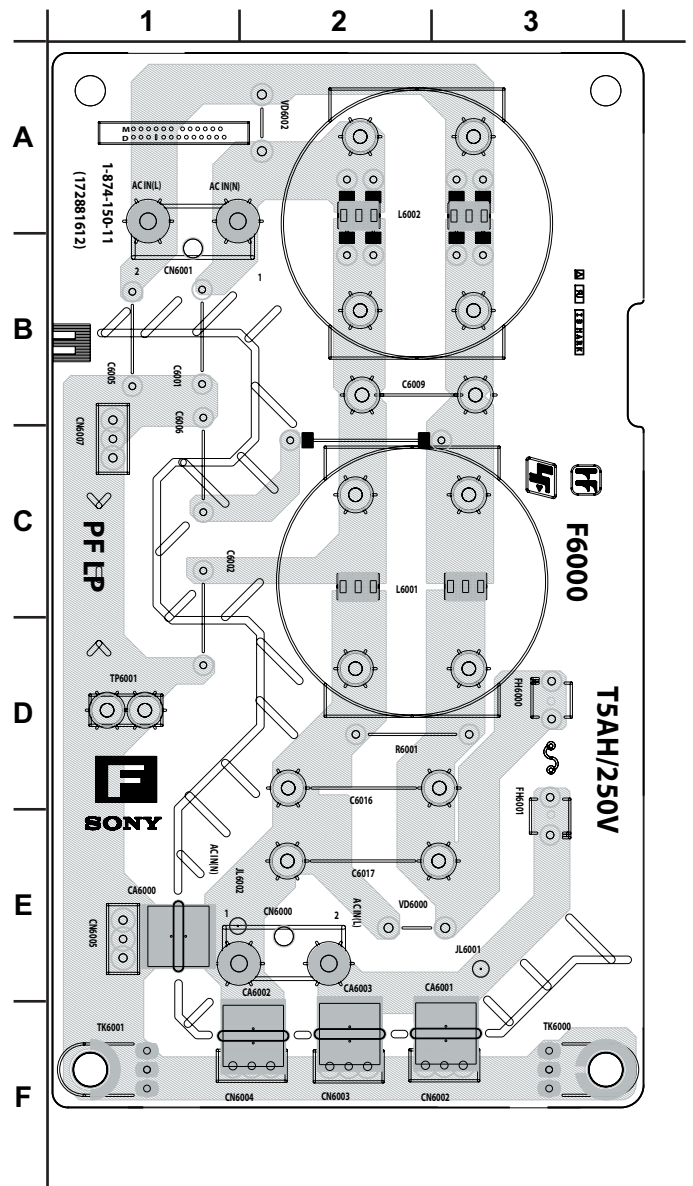
F BOARD SCHEMATIC DIAGRAM



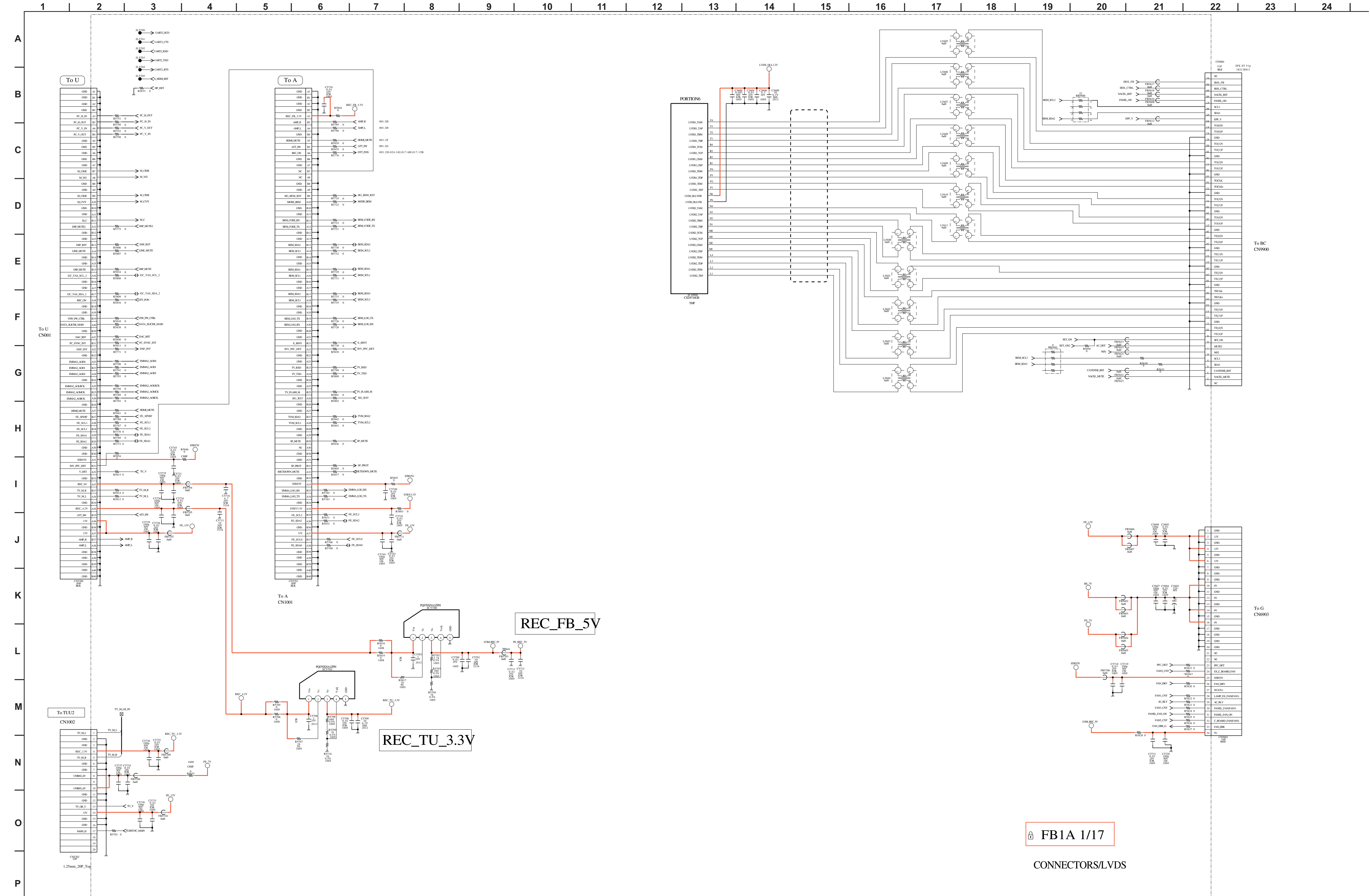
**F** [LINE FILTER]  
**COMPONENT SIDE**



**F** [LINE FILTER]  
**CONDUCTOR SIDE**

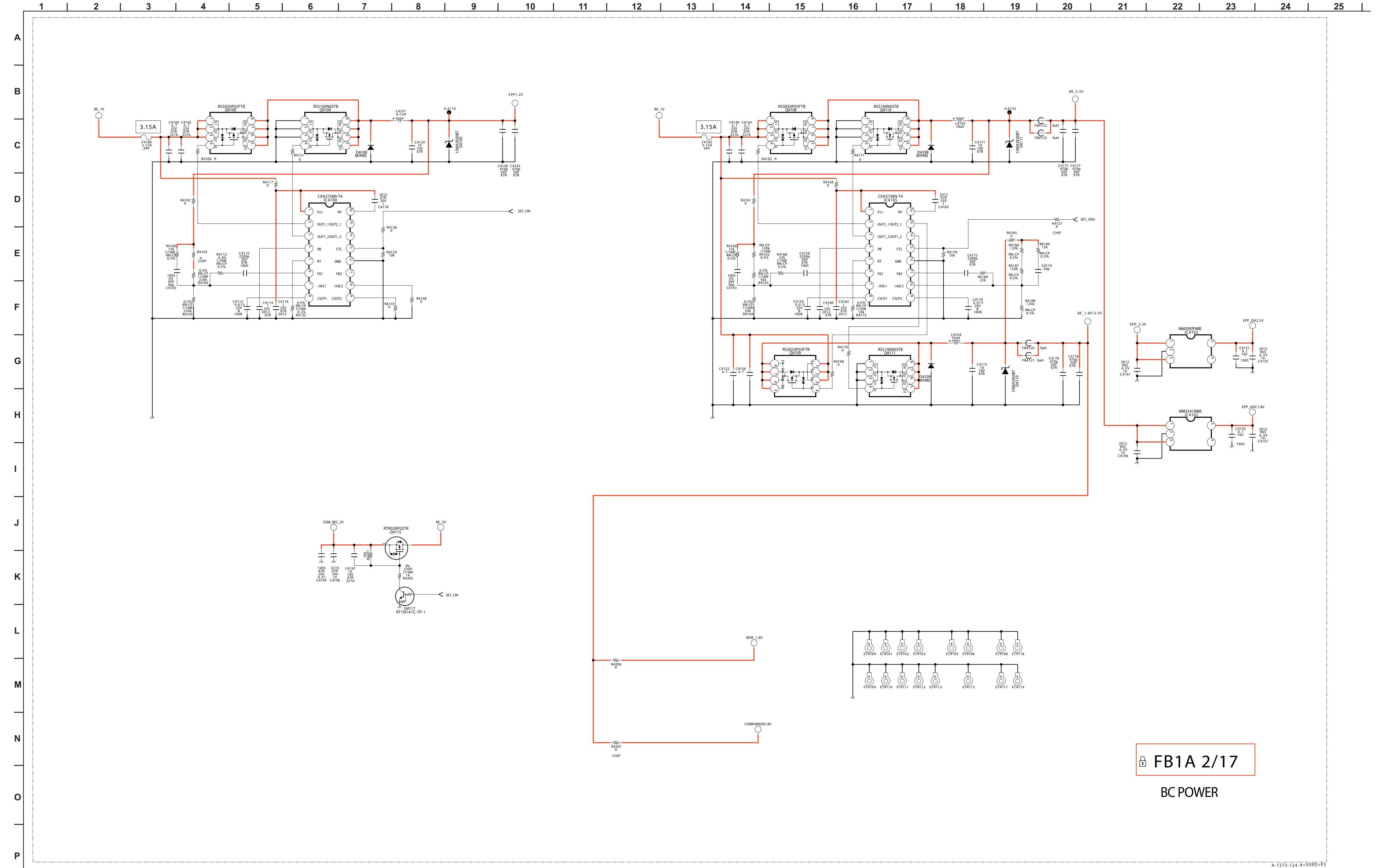


FB1A BOARD SCHEMATIC DIAGRAM (1 OF 17)





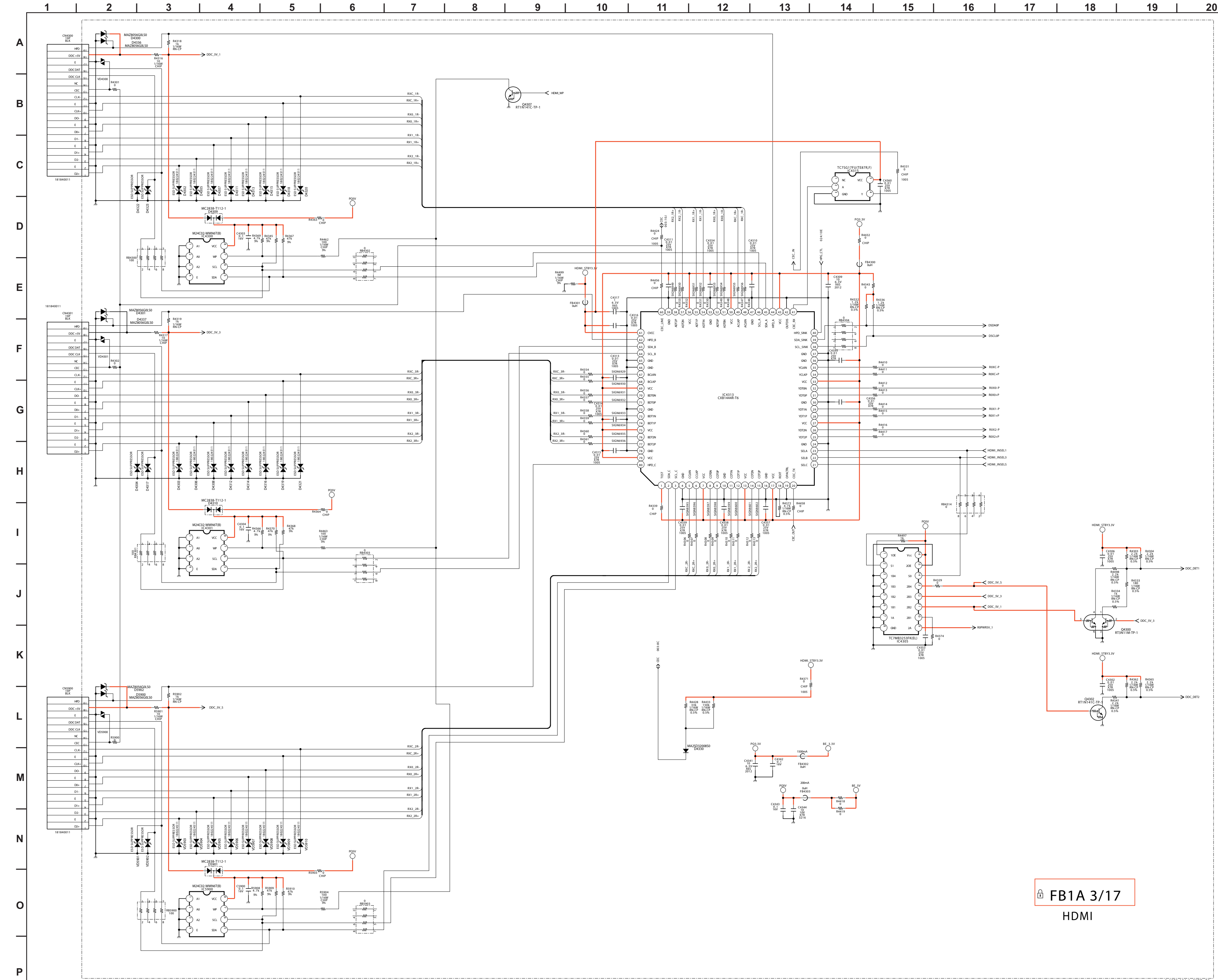
FB1A BOARD SCHEMATIC DIAGRAM (2 OF 17)



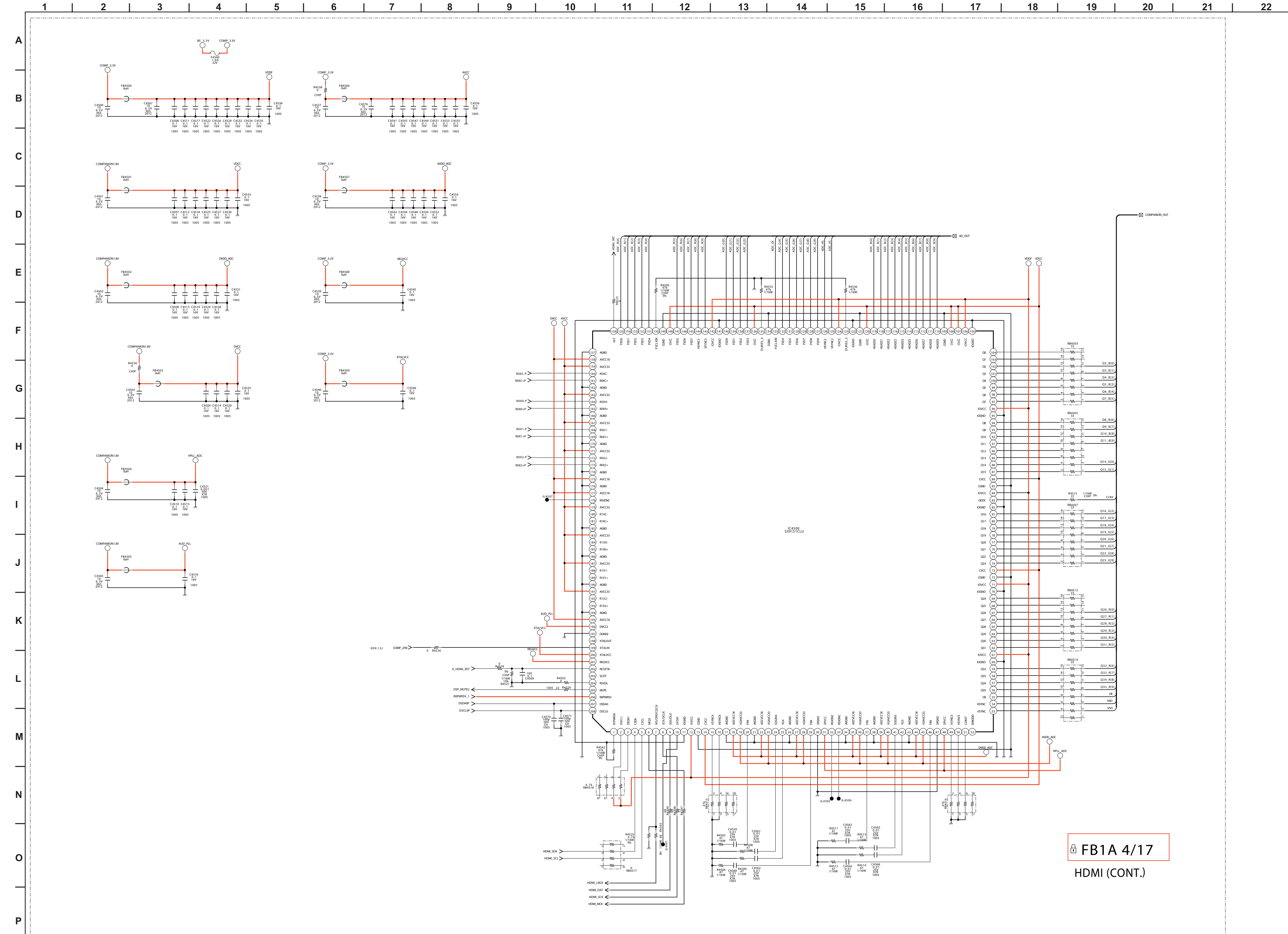
FB1A 2/17

BC POWER

FB1A BOARD SCHEMATIC DIAGRAM (3 OF 17)



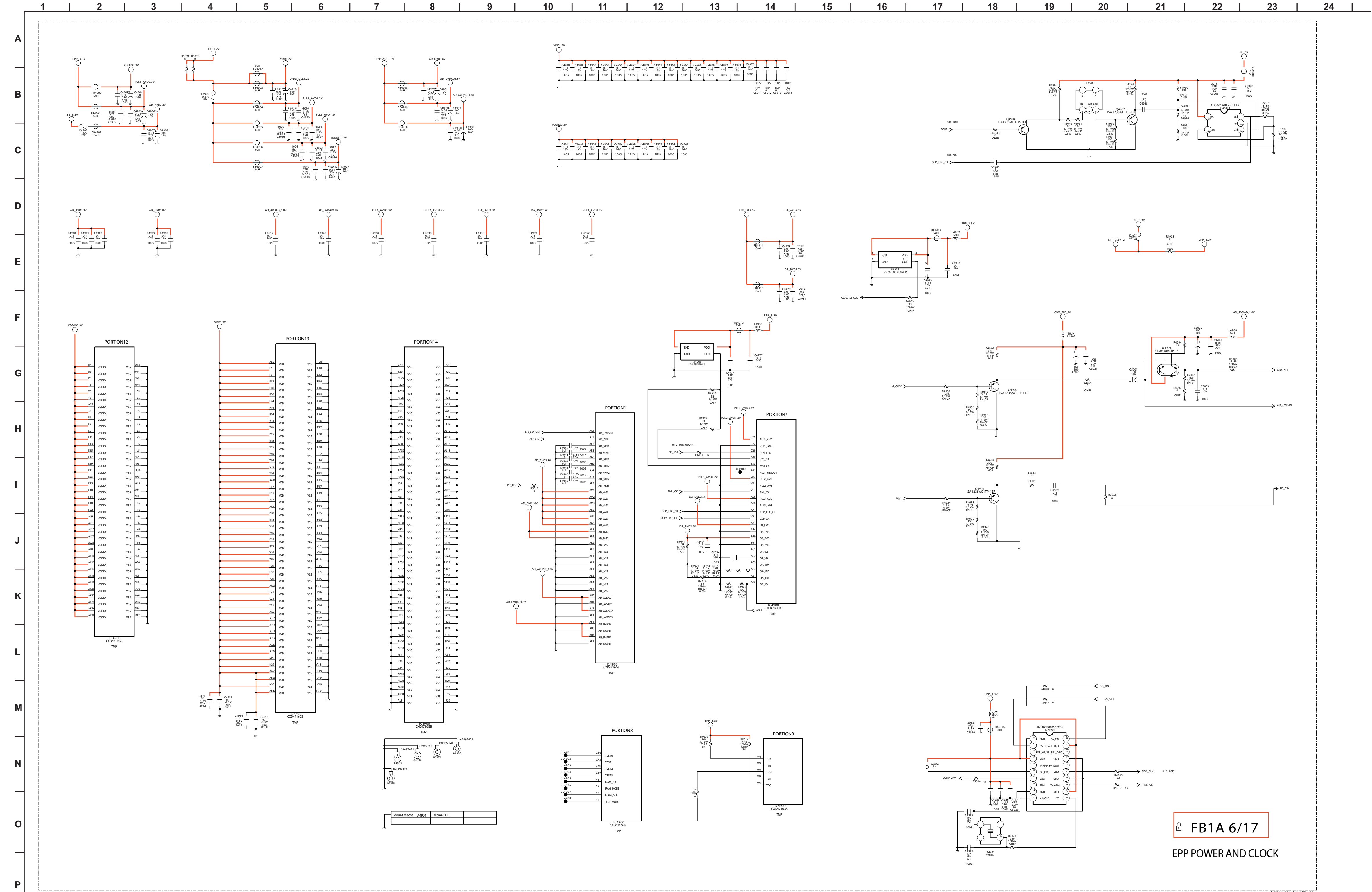
FB1A BOARD SCHEMATIC DIAGRAM (4 OF 17)







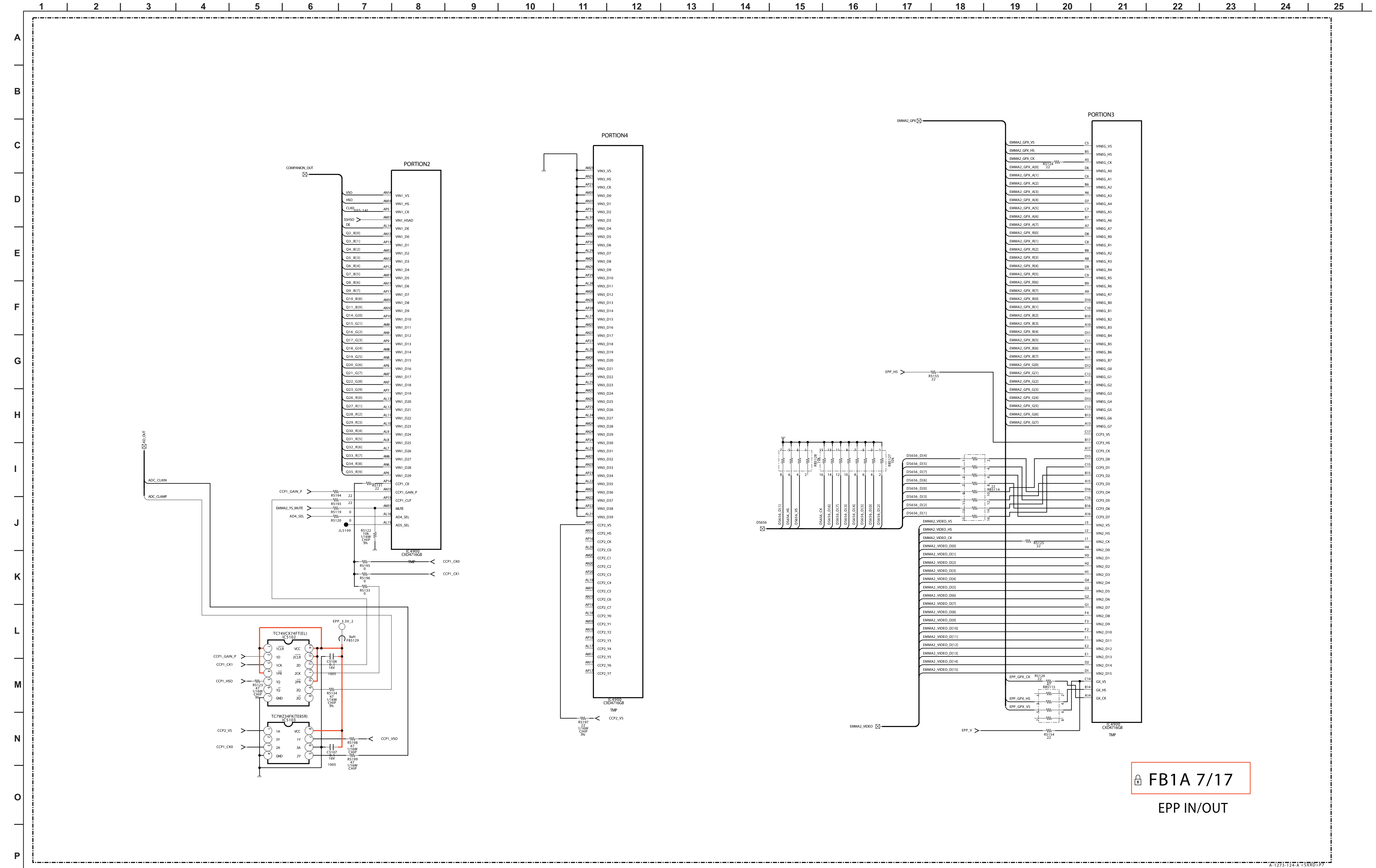
FB1A BOARD SCHEMATIC DIAGRAM (6 OF 17)



FB1A 6/17

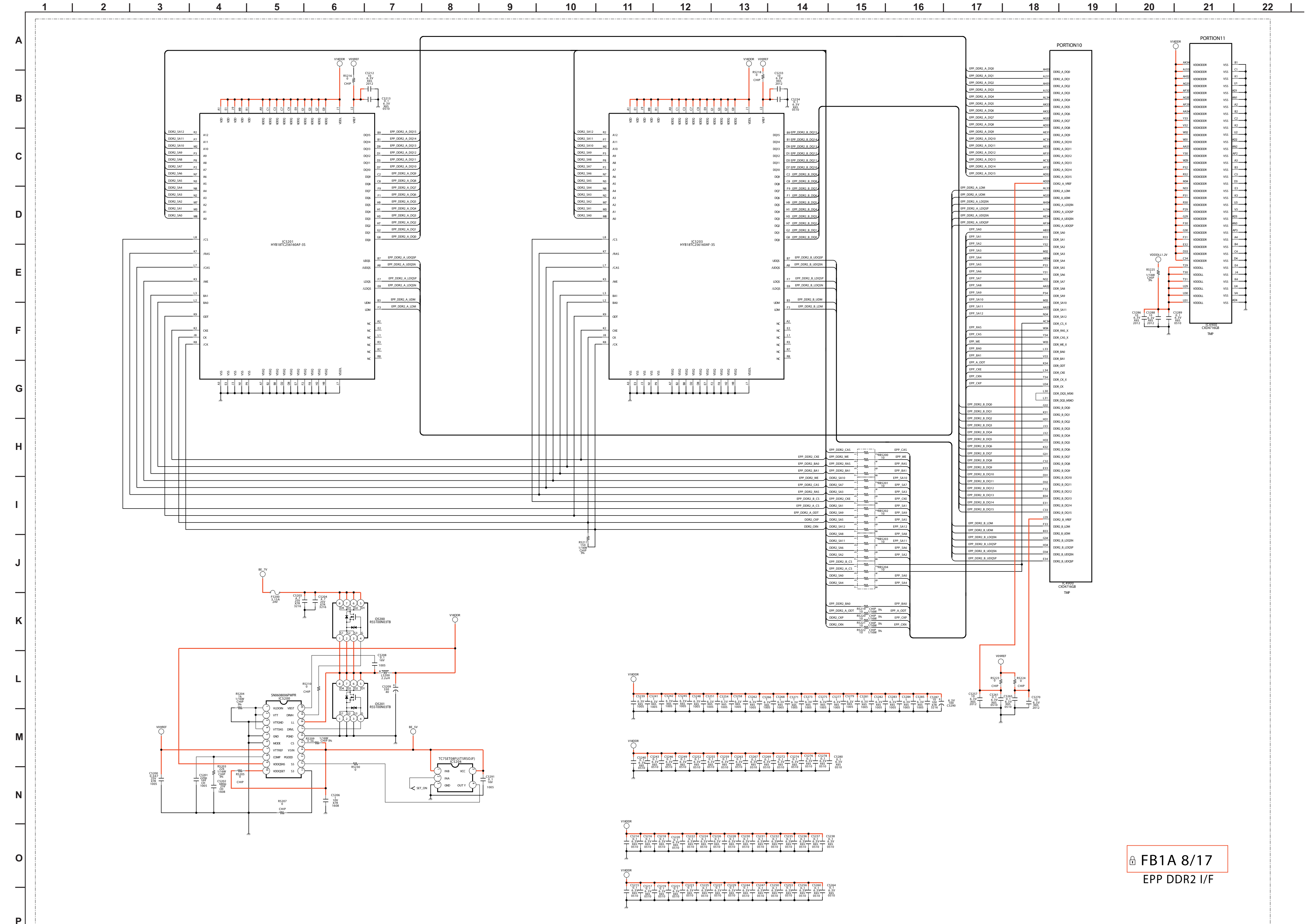
EPP POWER AND CLOCK

FB1A BOARD SCHEMATIC DIAGRAM (7 OF 17)



FB1A 7/17  
EPP IN/OUT

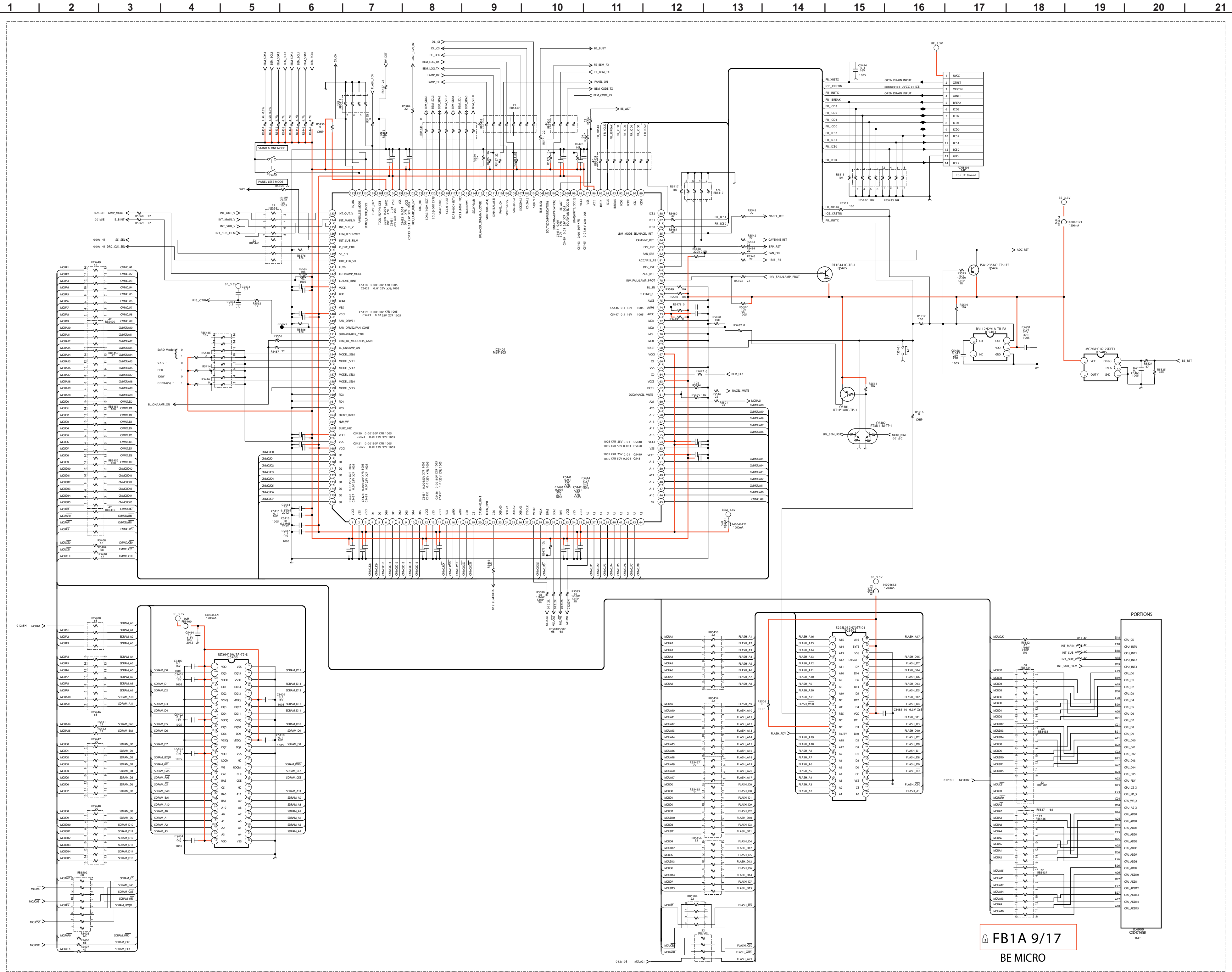
FB1A BOARD SCHEMATIC DIAGRAM (8 OF 17)



FB1A 8/17  
EPP DDR2 I/F



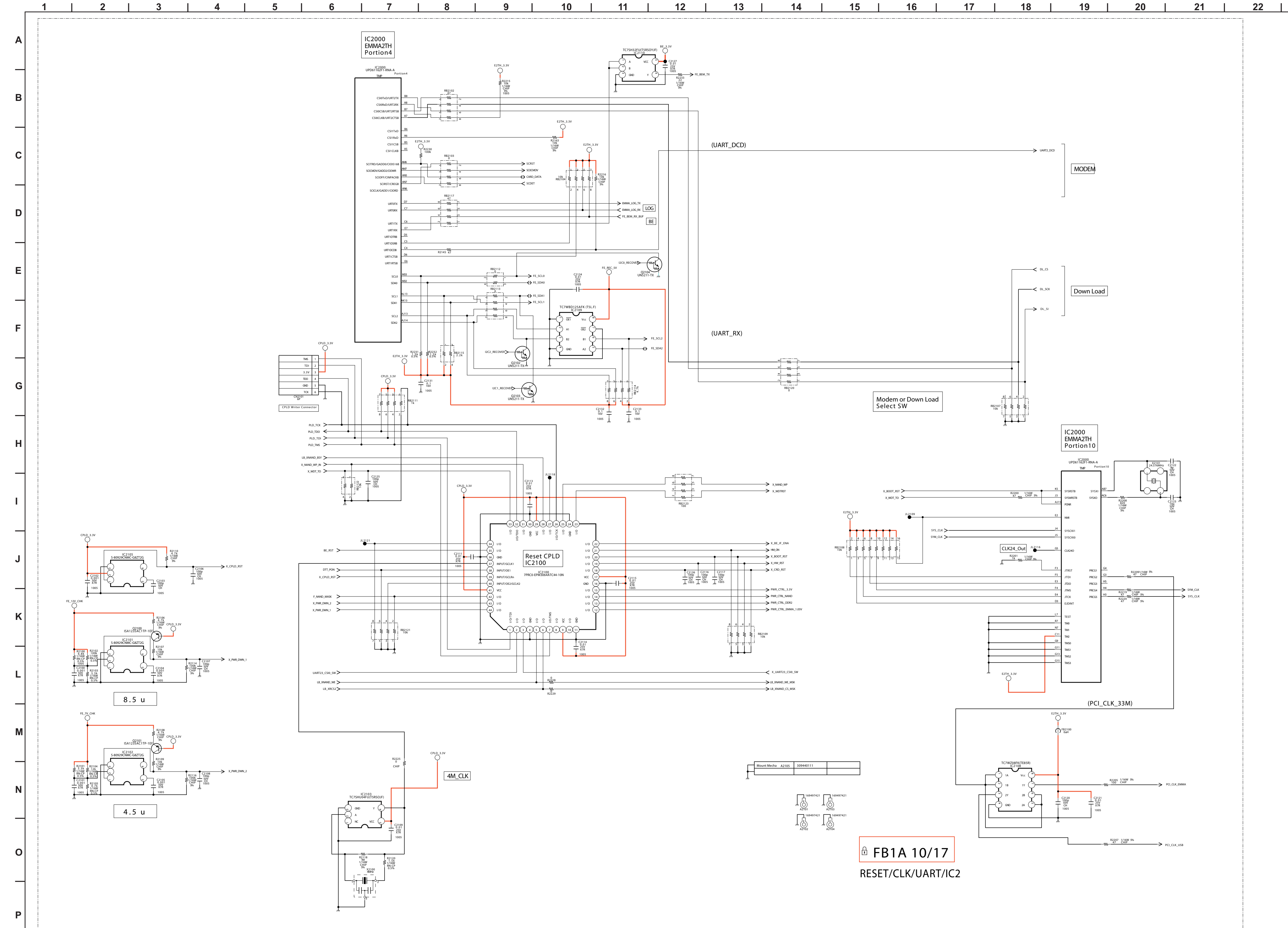
FB1A BOARD SCHEMATIC DIAGRAM (9 OF 17)



FB1A 9/17  
BE MICRO

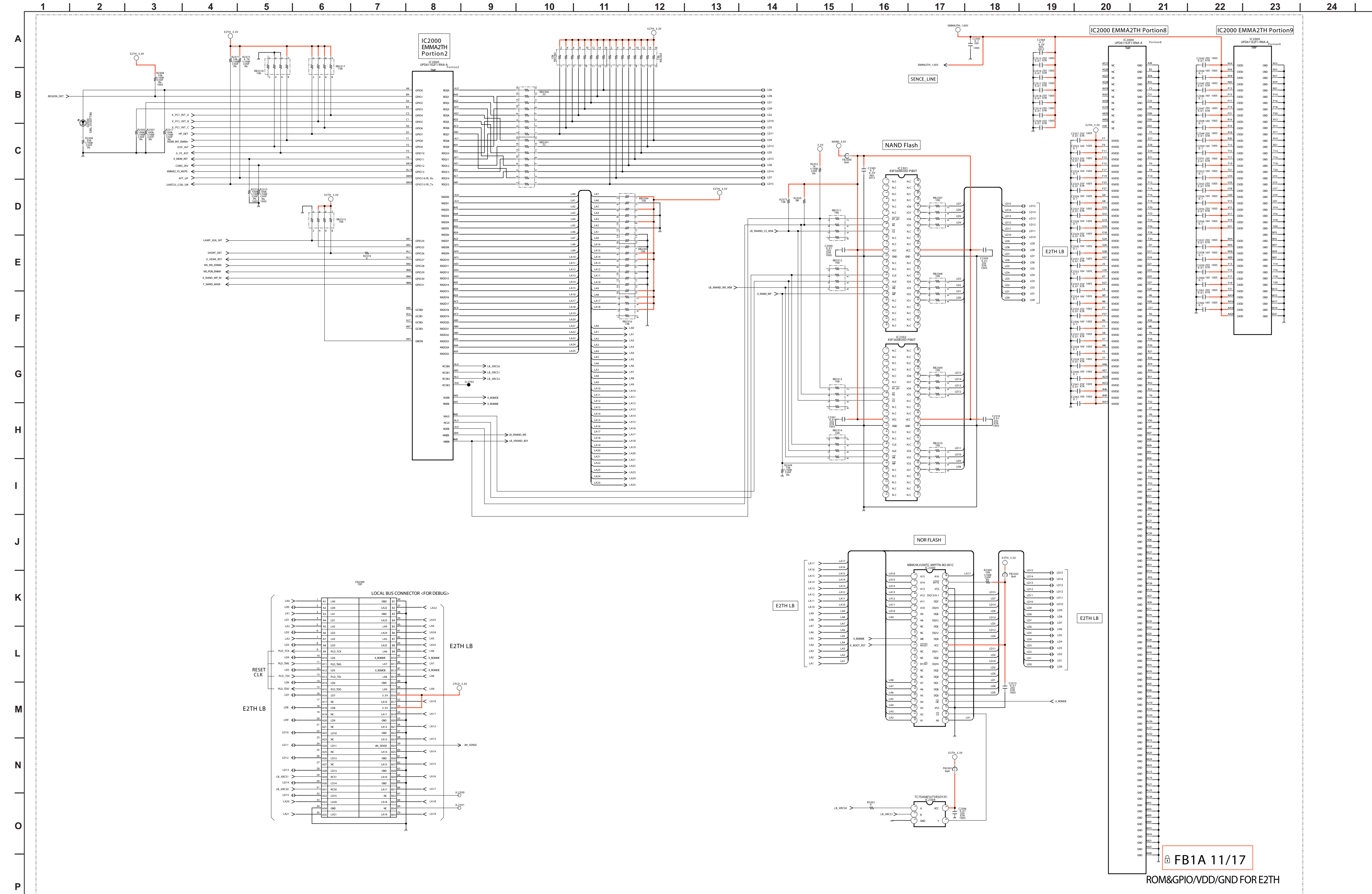


FB1A BOARD SCHEMATIC DIAGRAM (10 OF 17)



**FB1A 10/17**  
 RESET/CLK/UART/IC2

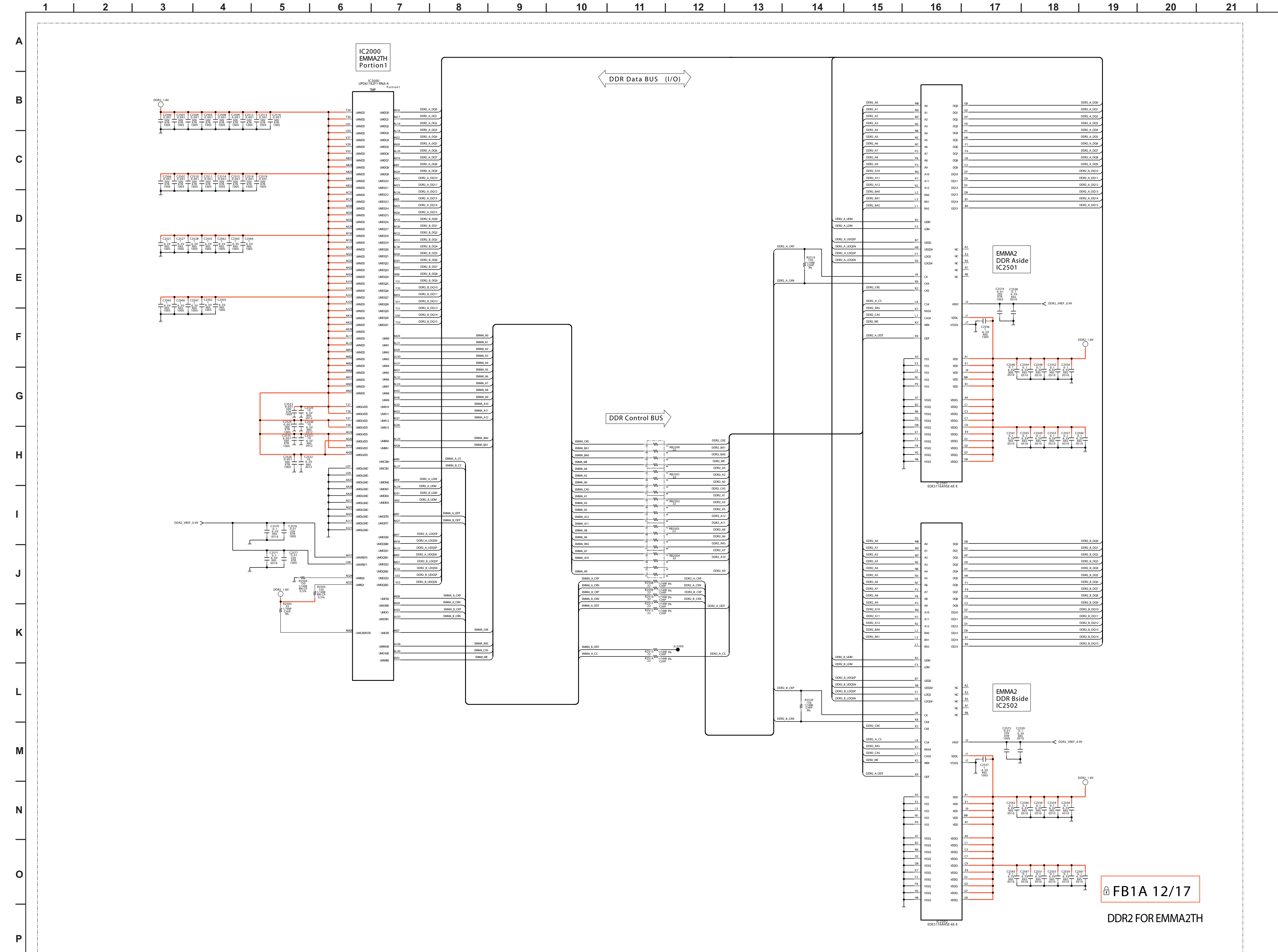
FB1A BOARD SCHEMATIC DIAGRAM (11 OF 17)



FB1A 11/17

ROM&GPIO/VDD/GND FOR E2TH

FB1A BOARD SCHEMATIC DIAGRAM (12 OF 17)

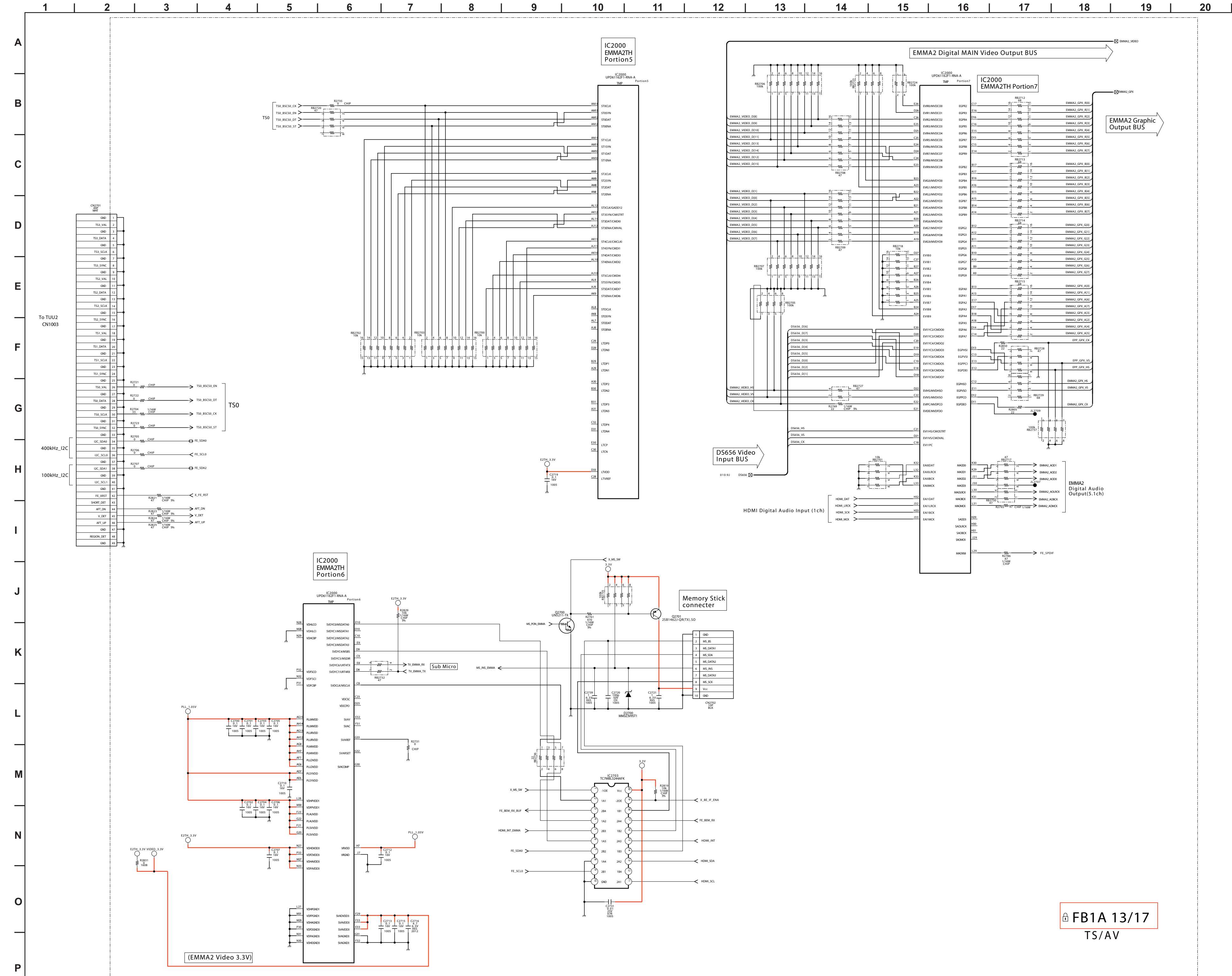


FB1A 12/17

DDR2 FOR EMMA2TH

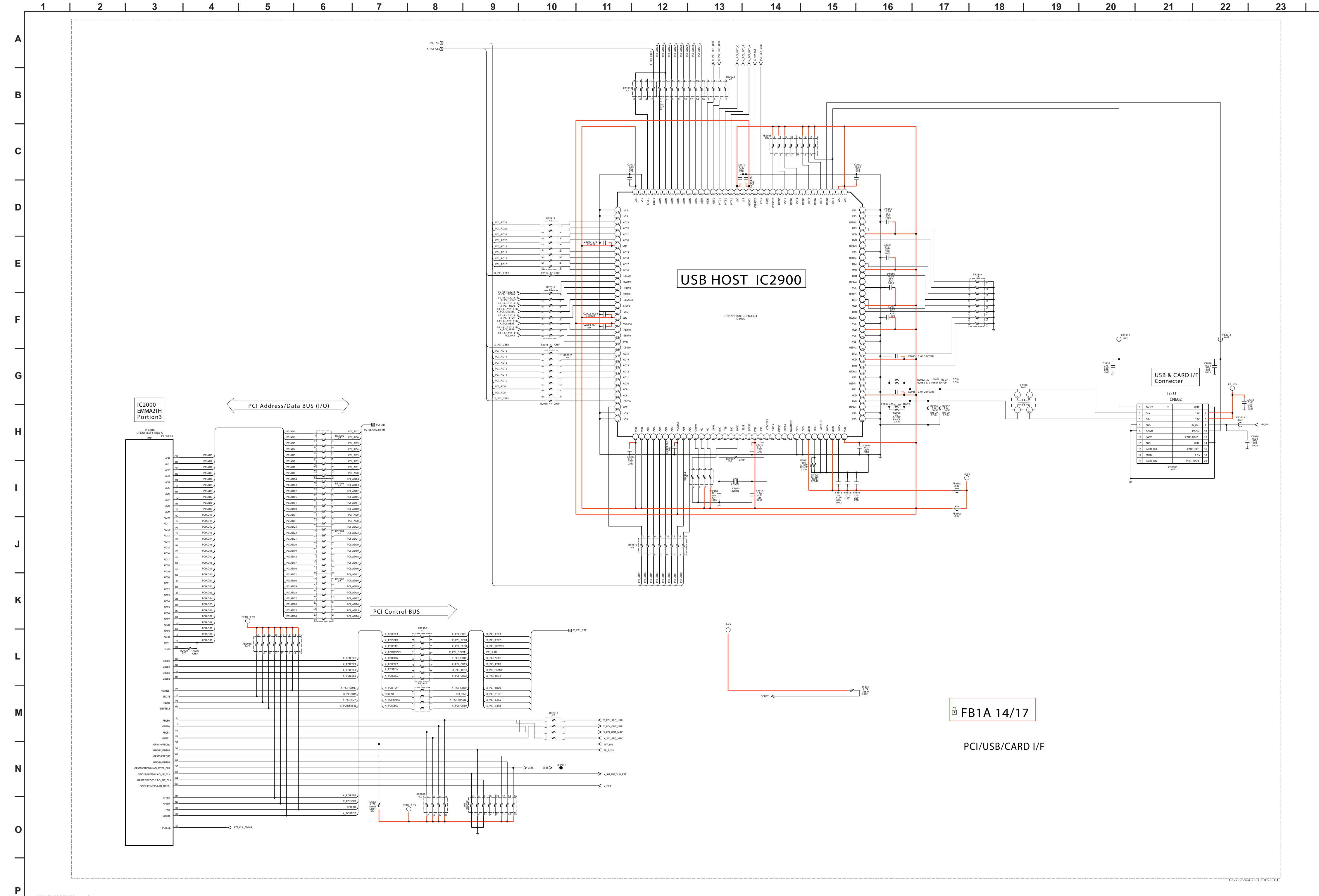


FB1A BOARD SCHEMATIC DIAGRAM (13 OF 17)



FB1A 13/17  
TS/AV

FB1A BOARD SCHEMATIC DIAGRAM (14 OF 17)

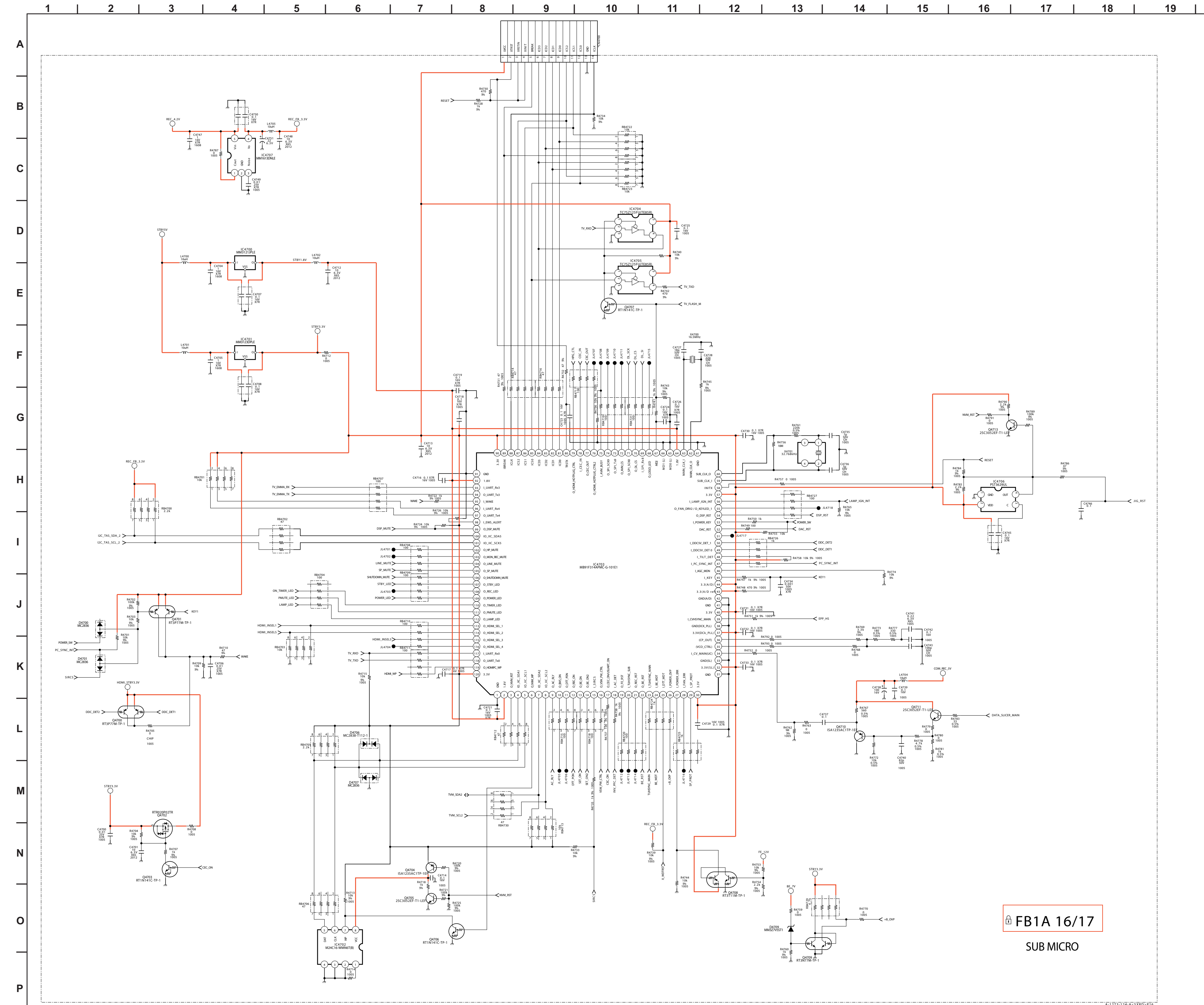


FB1A 14/17

PCI/USB/CARD I/F



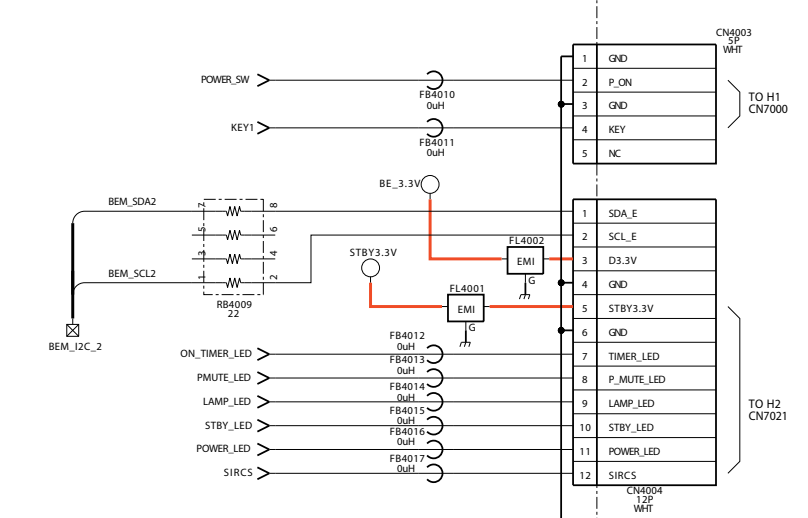
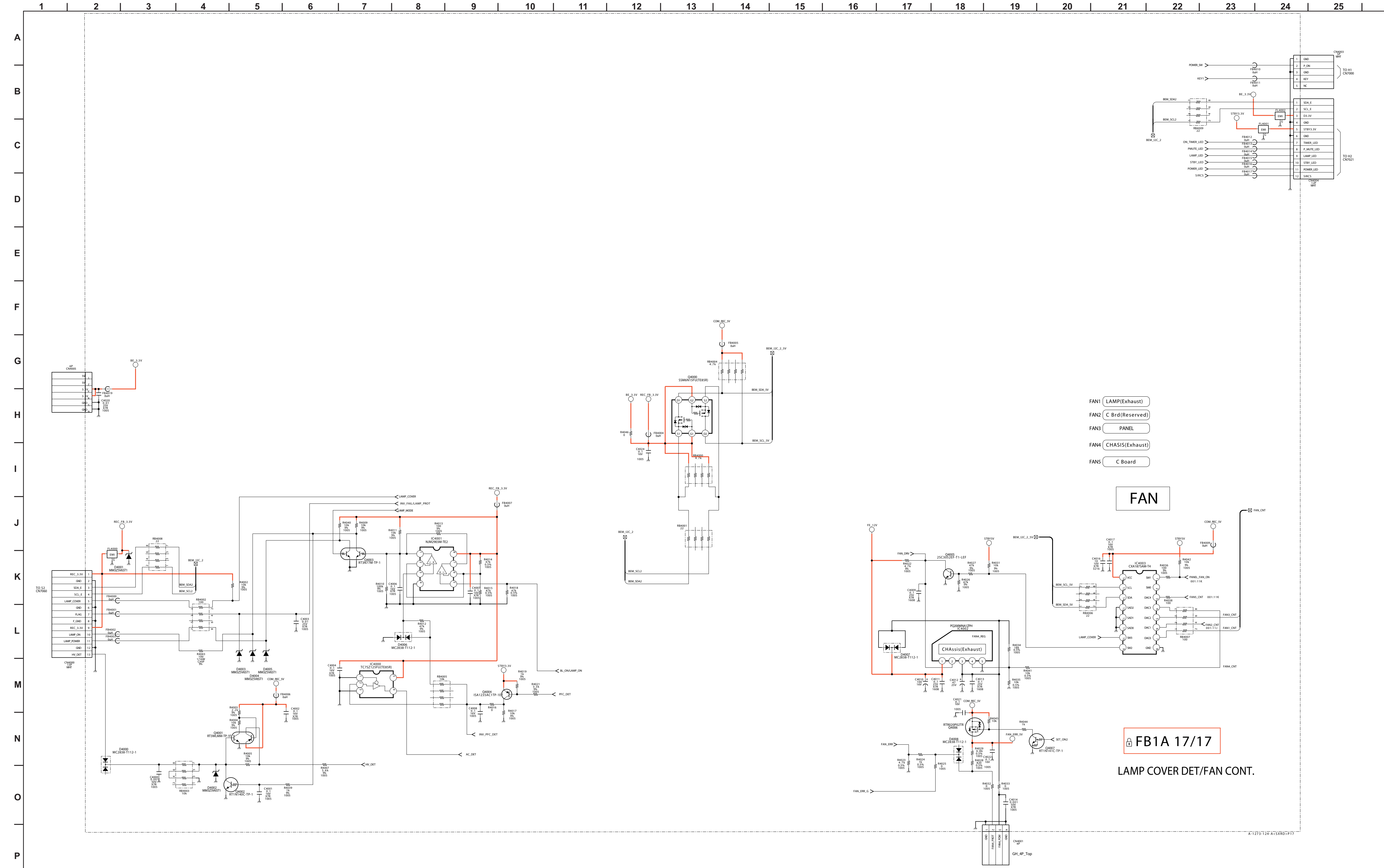
FB1A BOARD SCHEMATIC DIAGRAM (16 OF 17)



FB1A 16/17  
SUB MICRO

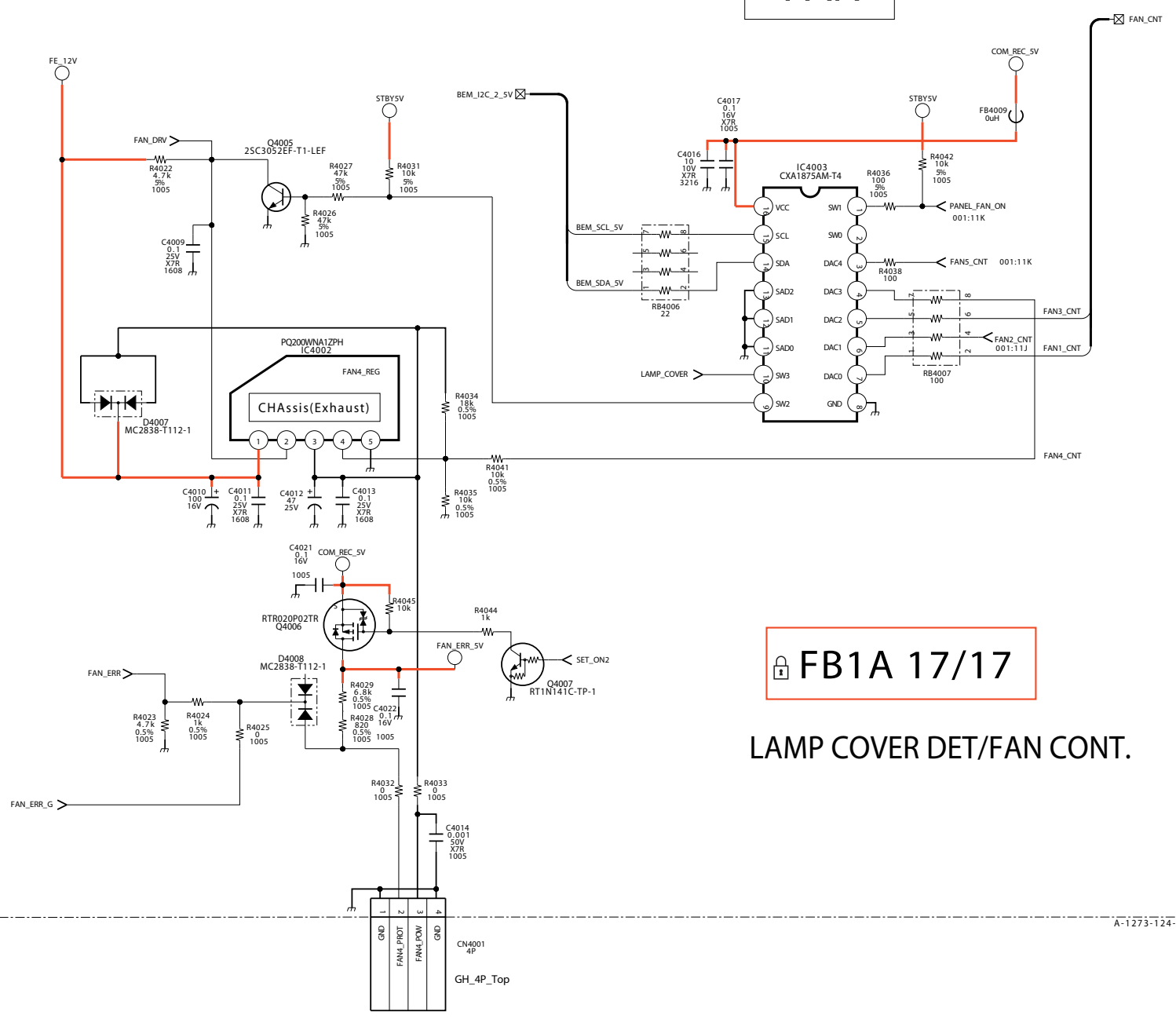


FB1A BOARD SCHEMATIC DIAGRAM (17 OF 17)



- FAN1 LAMP(Exhaust)
- FAN2 C Brd(Reserved)
- FAN3 PANEL
- FAN4 CHASIS(Exhaust)
- FAN5 C Board

FAN



FB1A 17/17

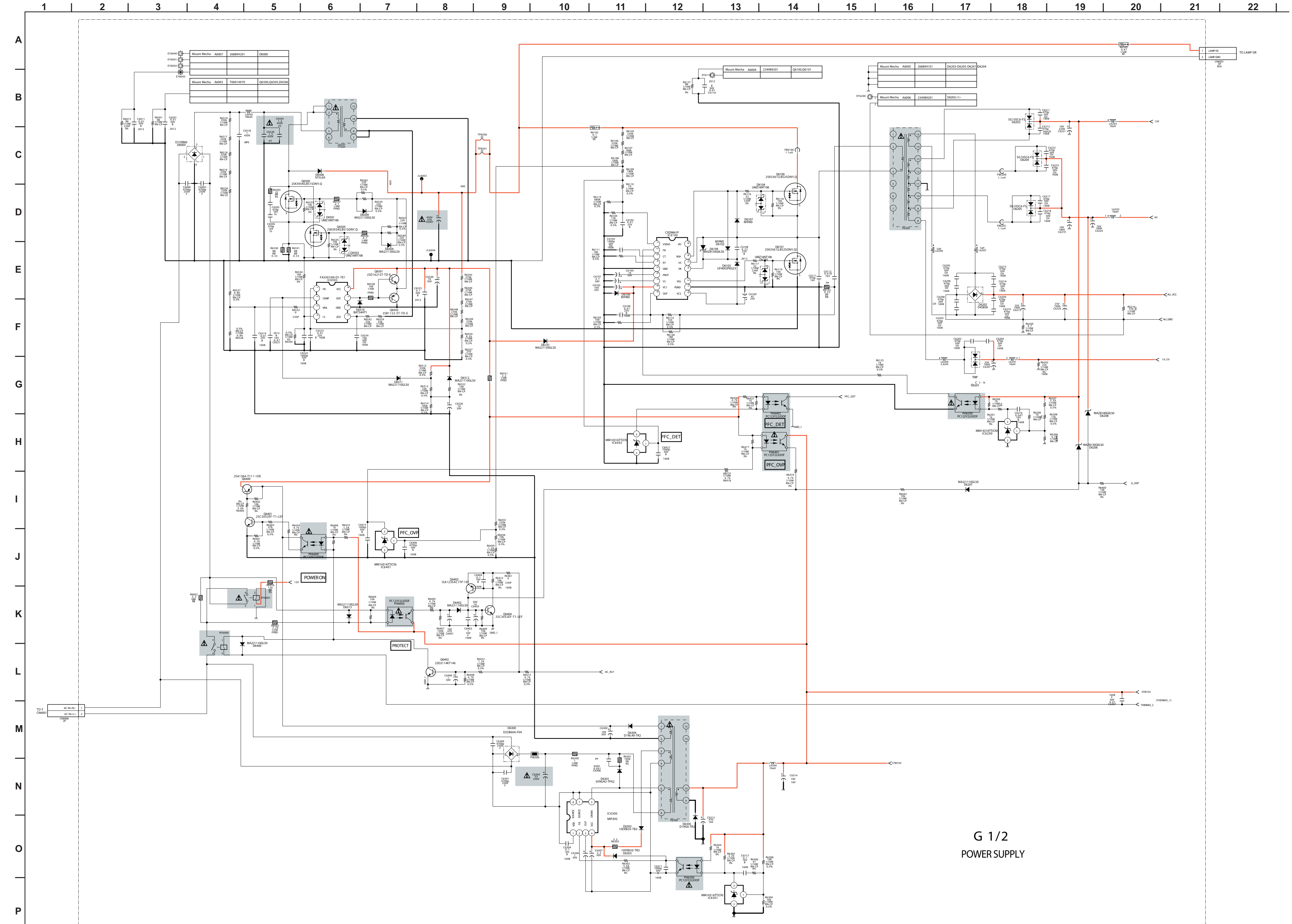
LAMP COVER DET/FAN CONT.





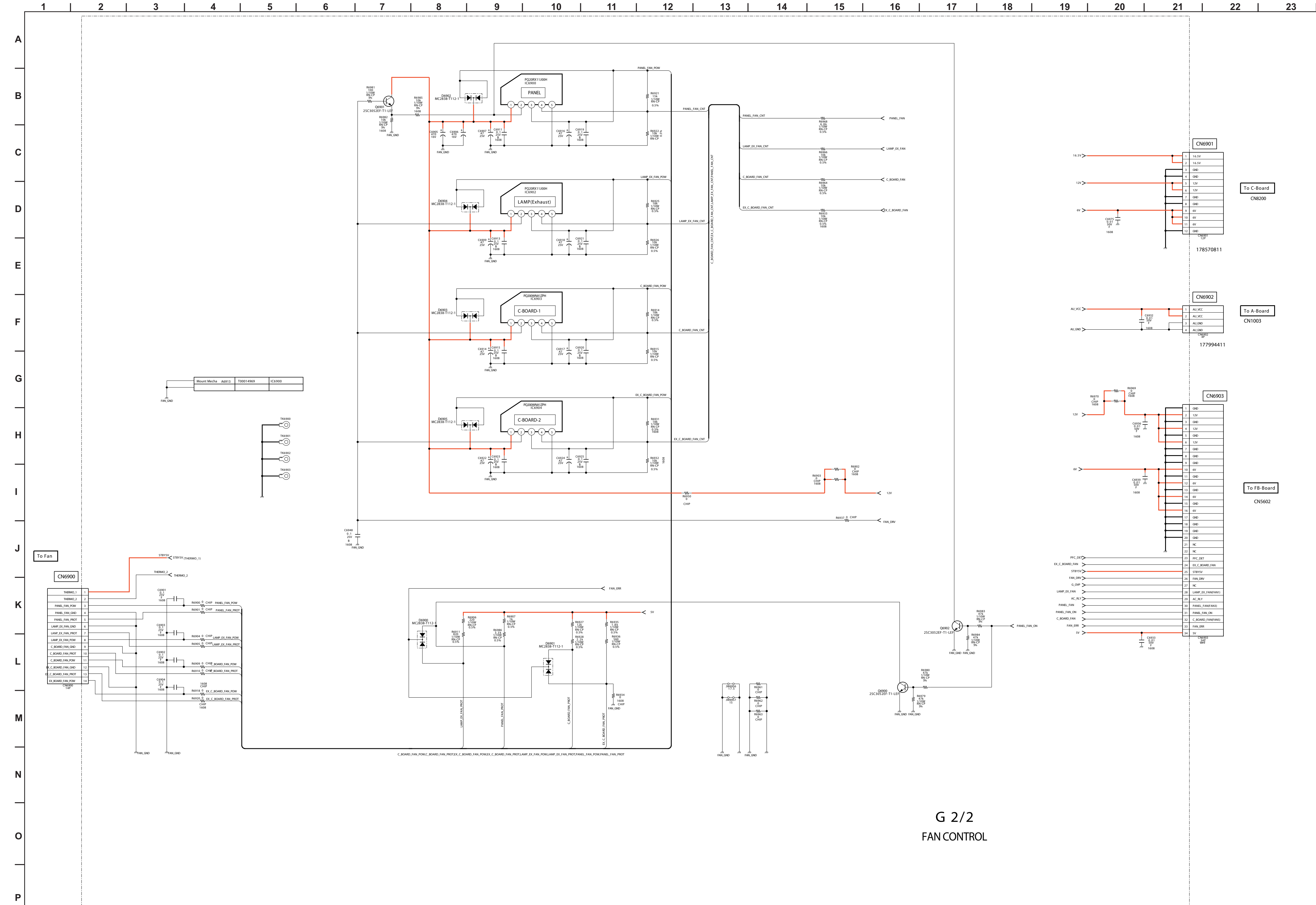


G BOARD SCHEMATIC DIAGRAM (1 OF 2)



G 1/2  
POWER SUPPLY

G BOARD SCHEMATIC DIAGRAM (2 OF 2)

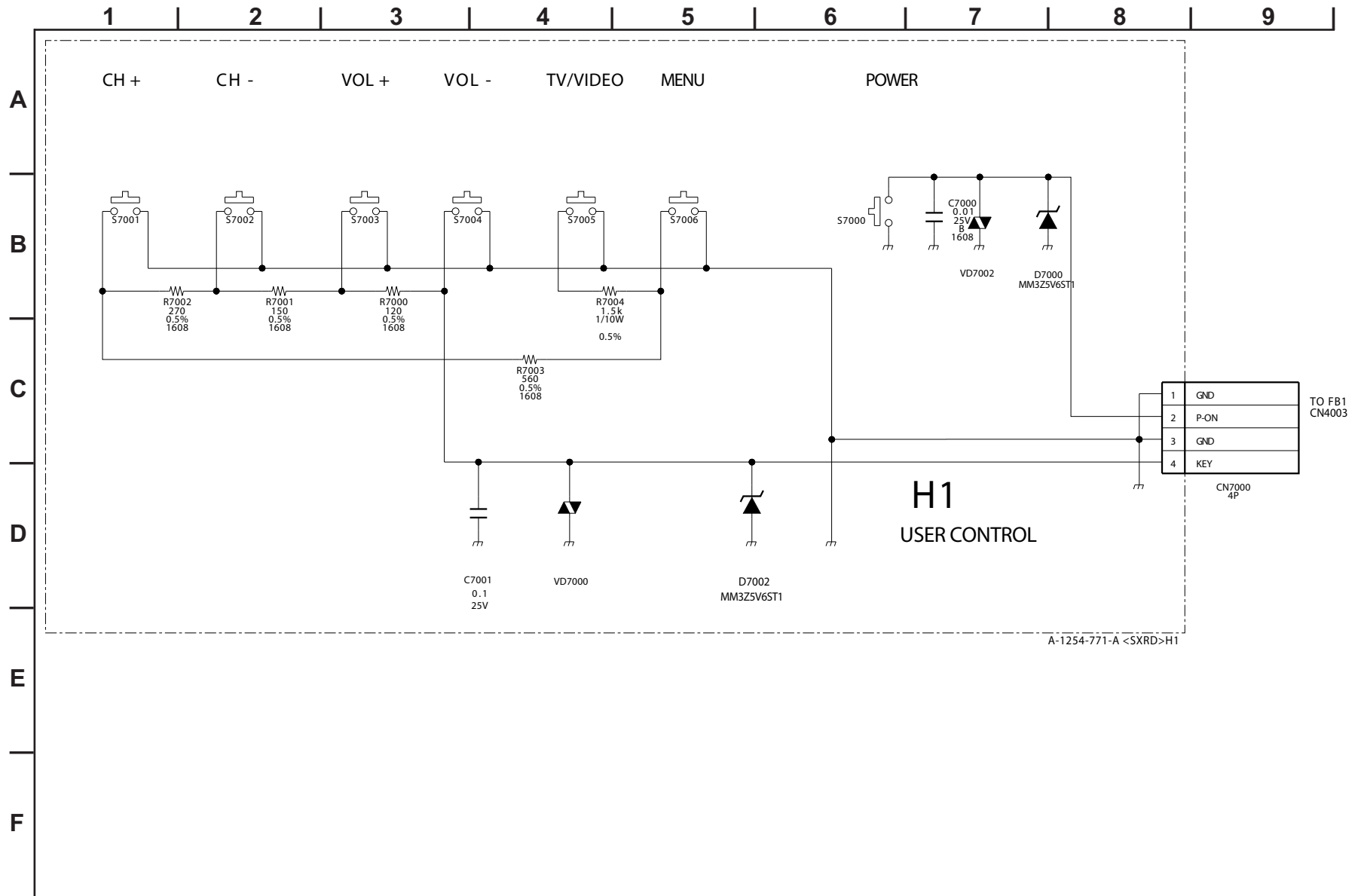


G 2/2  
FAN CONTROL

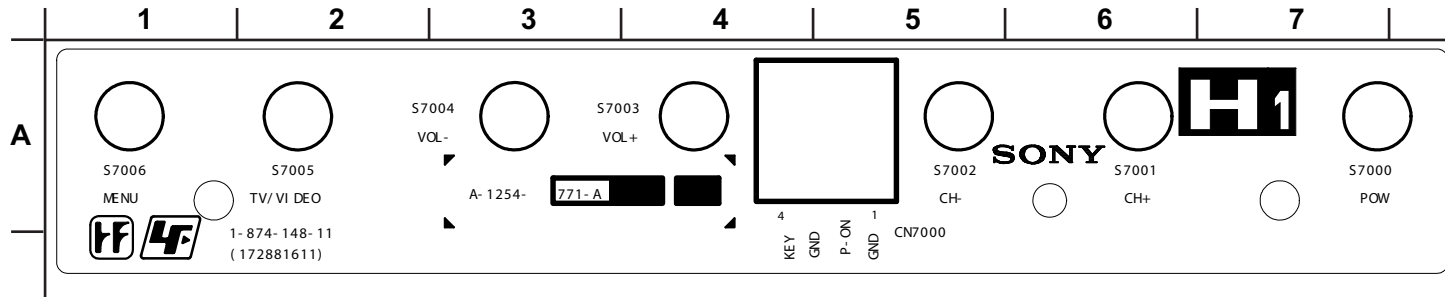




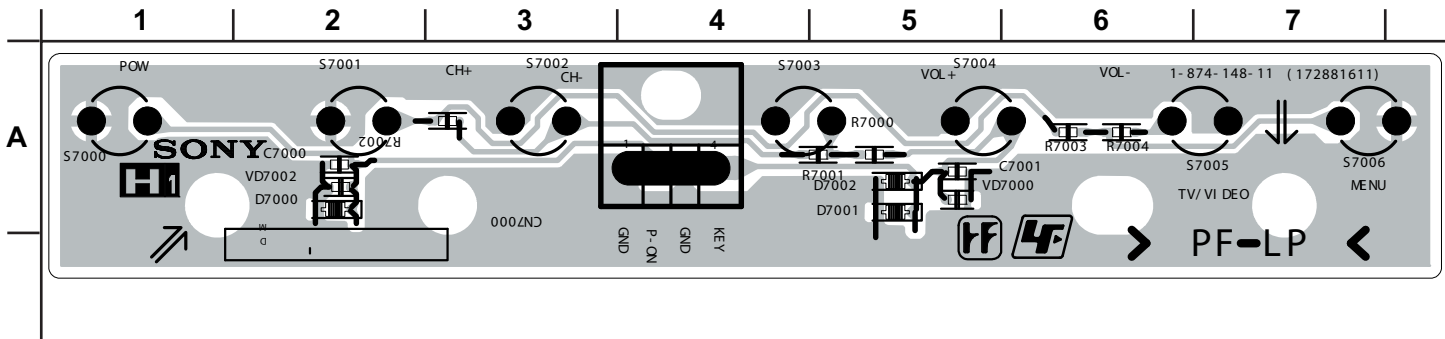
# H1 BOARD SCHEMATIC DIAGRAM



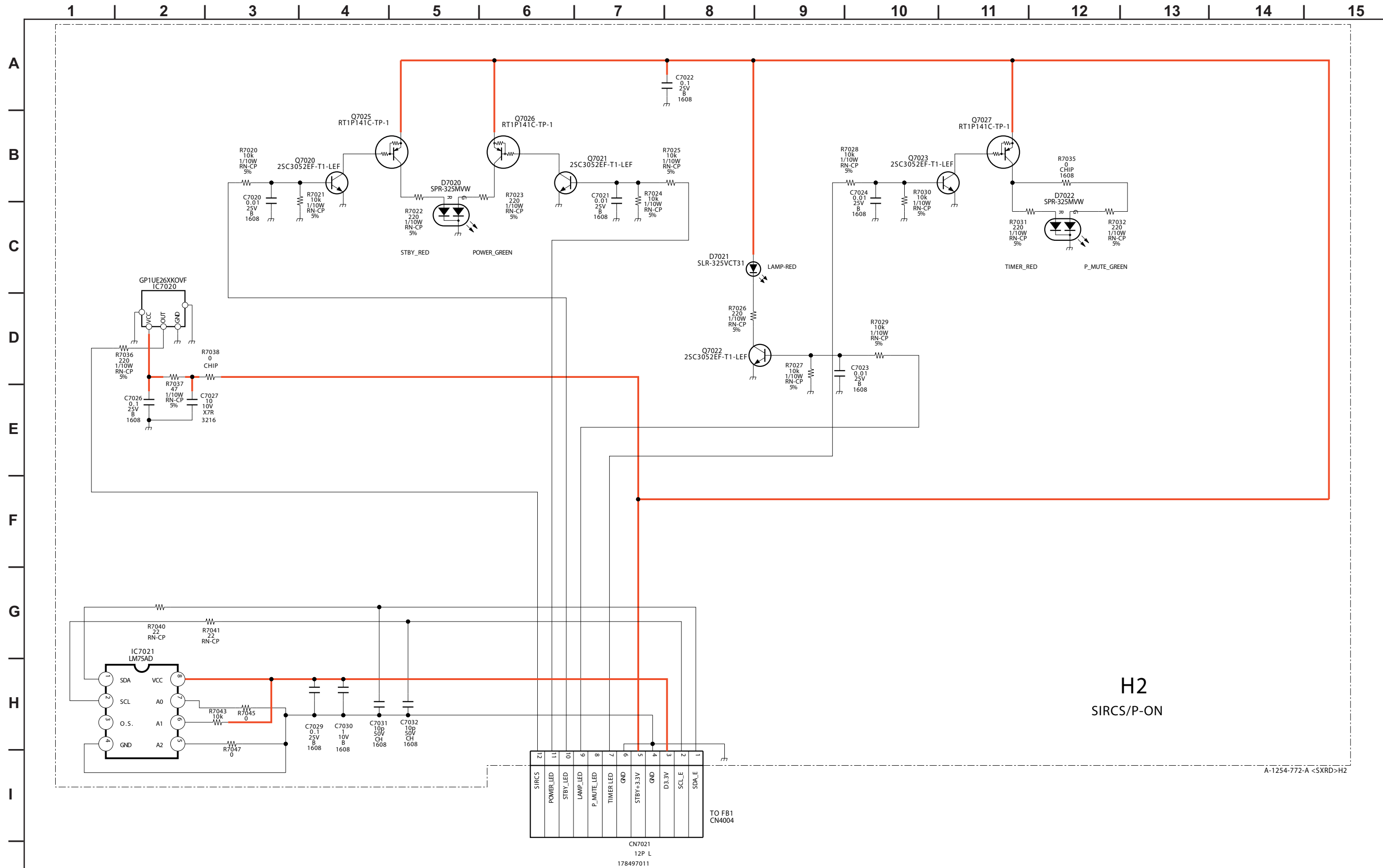
**H1** [USER CONTROL]  
**COMPONENT SIDE**



**H1** [USER CONTROL]  
**CONDUCTOR SIDE**



H2 BOARD SCHEMATIC DIAGRAM



H2  
SIRCS/P-ON

A-1254-772-A <SXR>H2

12	11	10	9	8	7	6	5	4	3	2	1
SIRCS	POWER_LED	STBY_LED	LAMP_LED	P_MUTE_LED	TIMER_LED	GND	STBY+3.3V	GND	D3.3V	SCL_E	SDA_E

CN7021  
12P L  
178497011

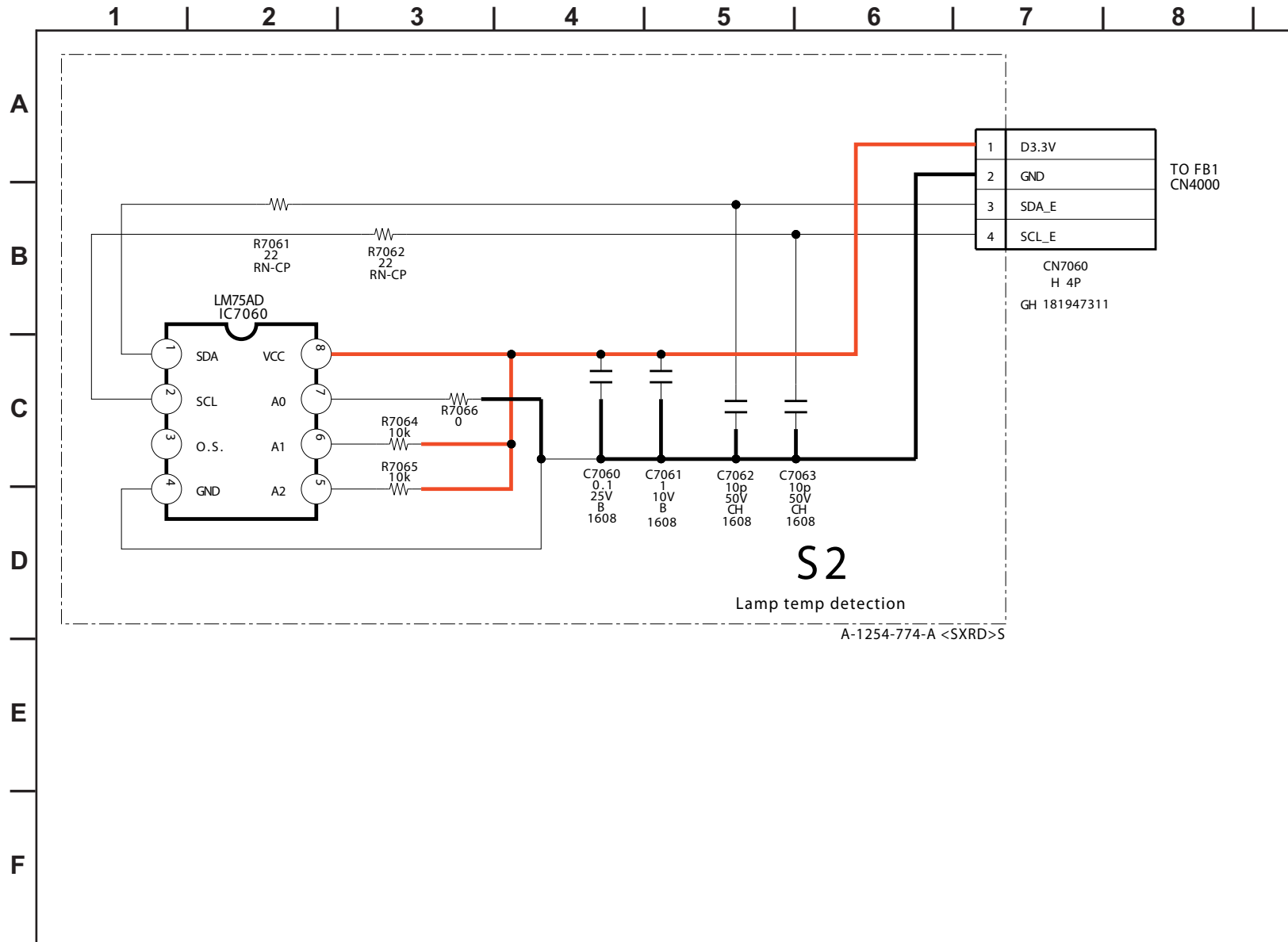
TO FB1  
CN4004



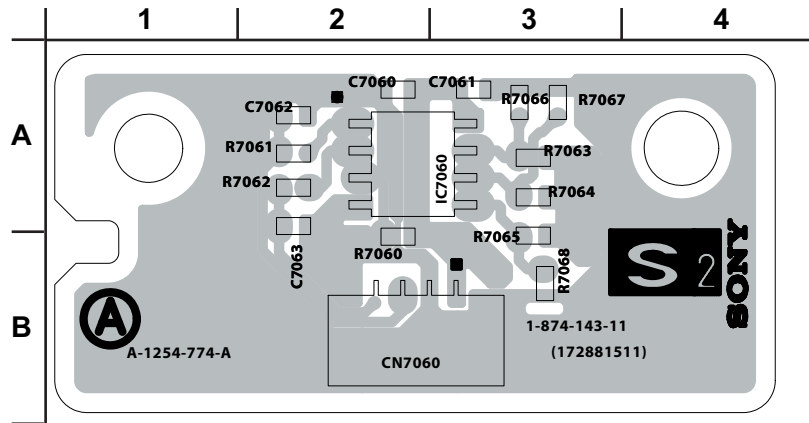




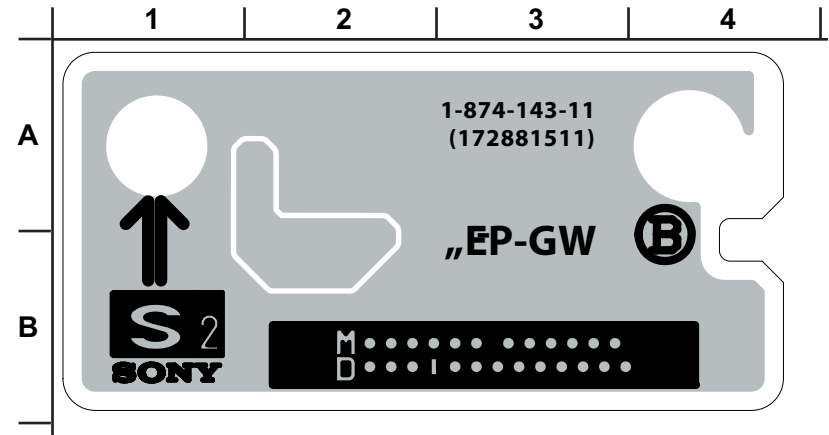
S2 BOARD SCHEMATIC DIAGRAM



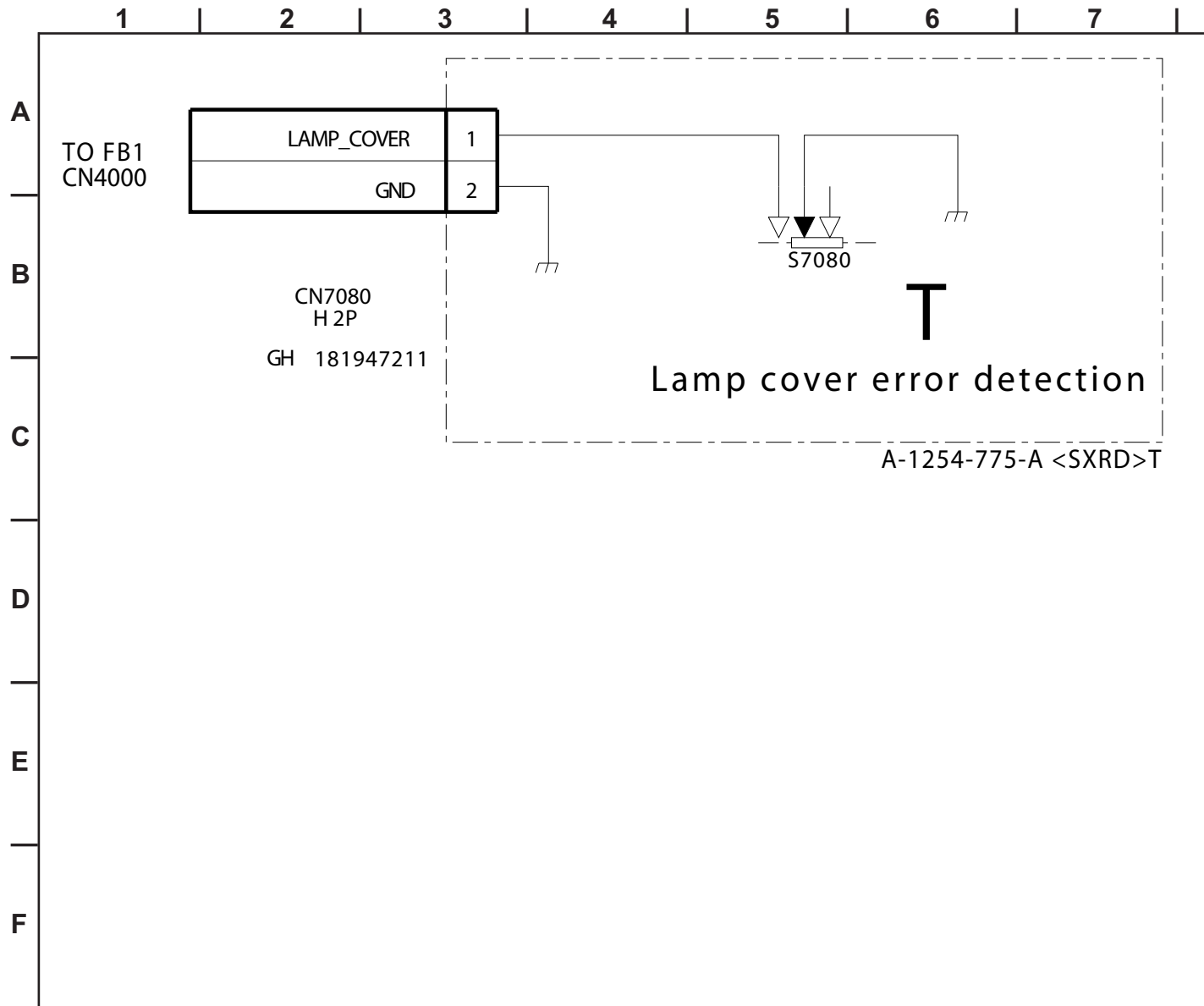
**S2** [LAMP TEMP DETECTION]  
**COMPONENT SIDE**



**S2** [LAMP TEMP DETECTION]  
**CONDUCTOR SIDE**

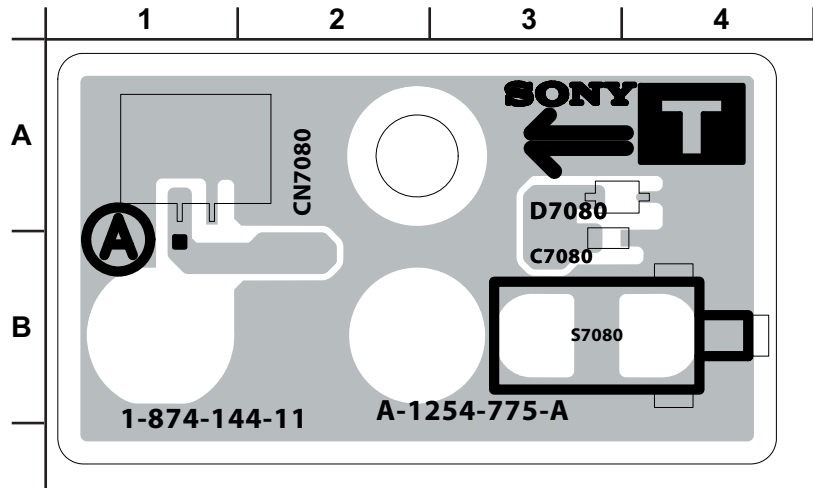


T BOARD SCHEMATIC DIAGRAM



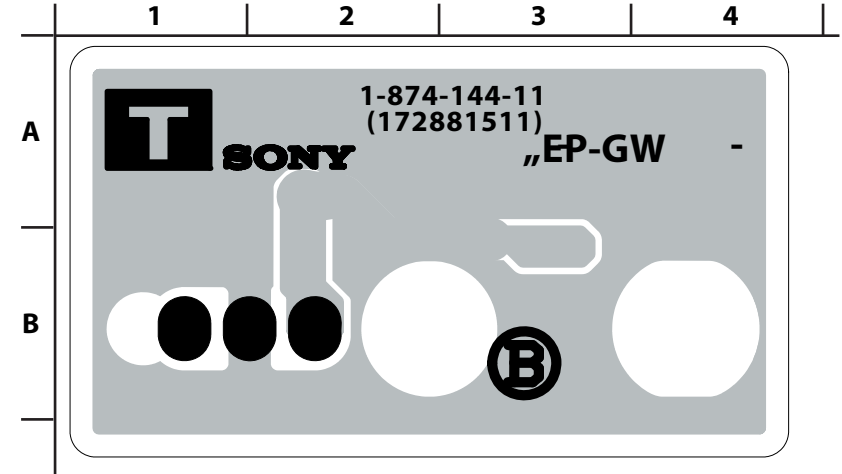
**T**

[LAMP COVER ERROR DETECTION]  
**COMPONENT SIDE**

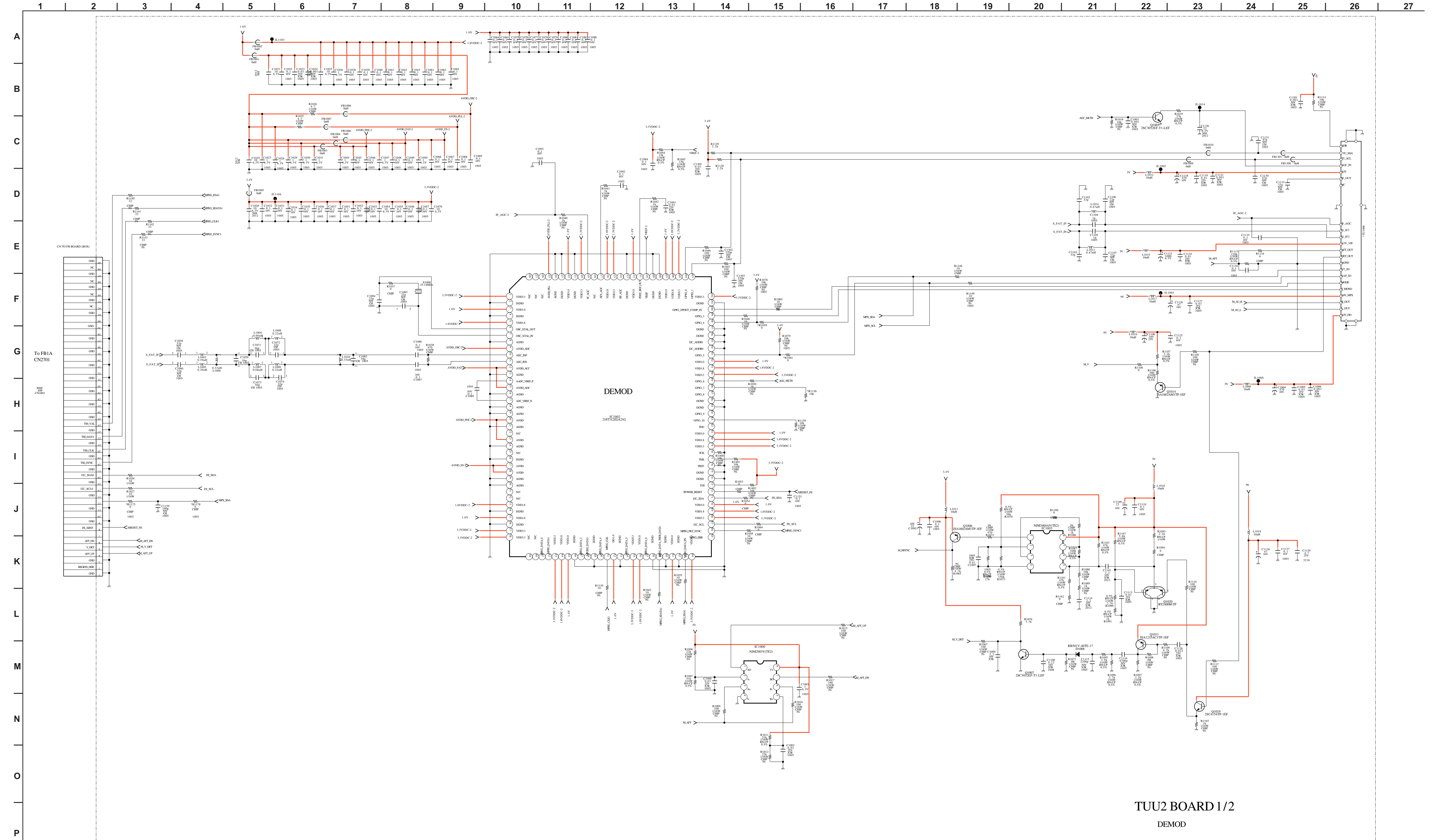


**T**

[LAMP COVER ERROR DETECTION]  
**CONDUCTOR SIDE**



TU2 BOARD SCHEMATIC DIAGRAM (1 OF 2)



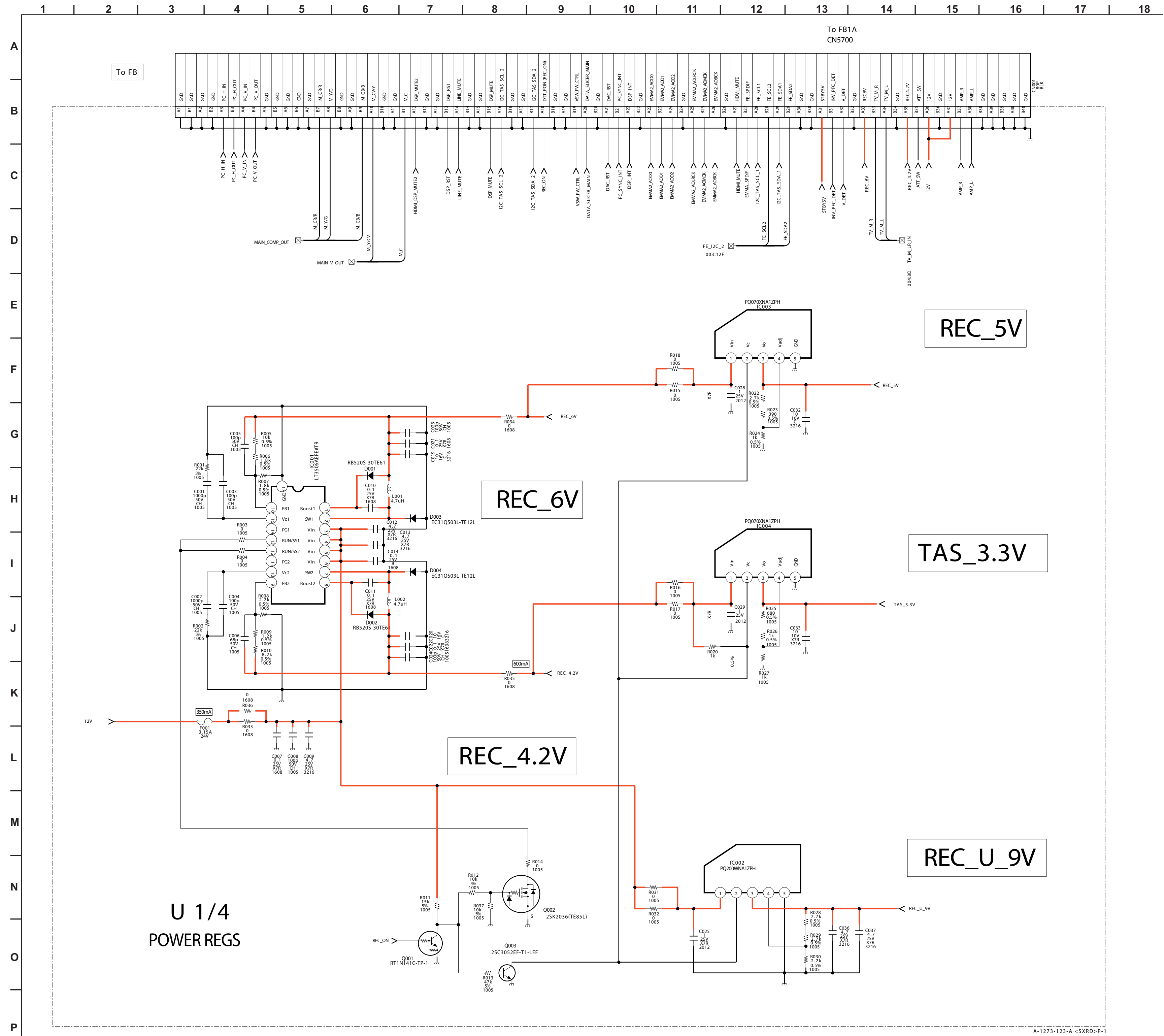
TU2 BOARD 1/2  
DEMOM







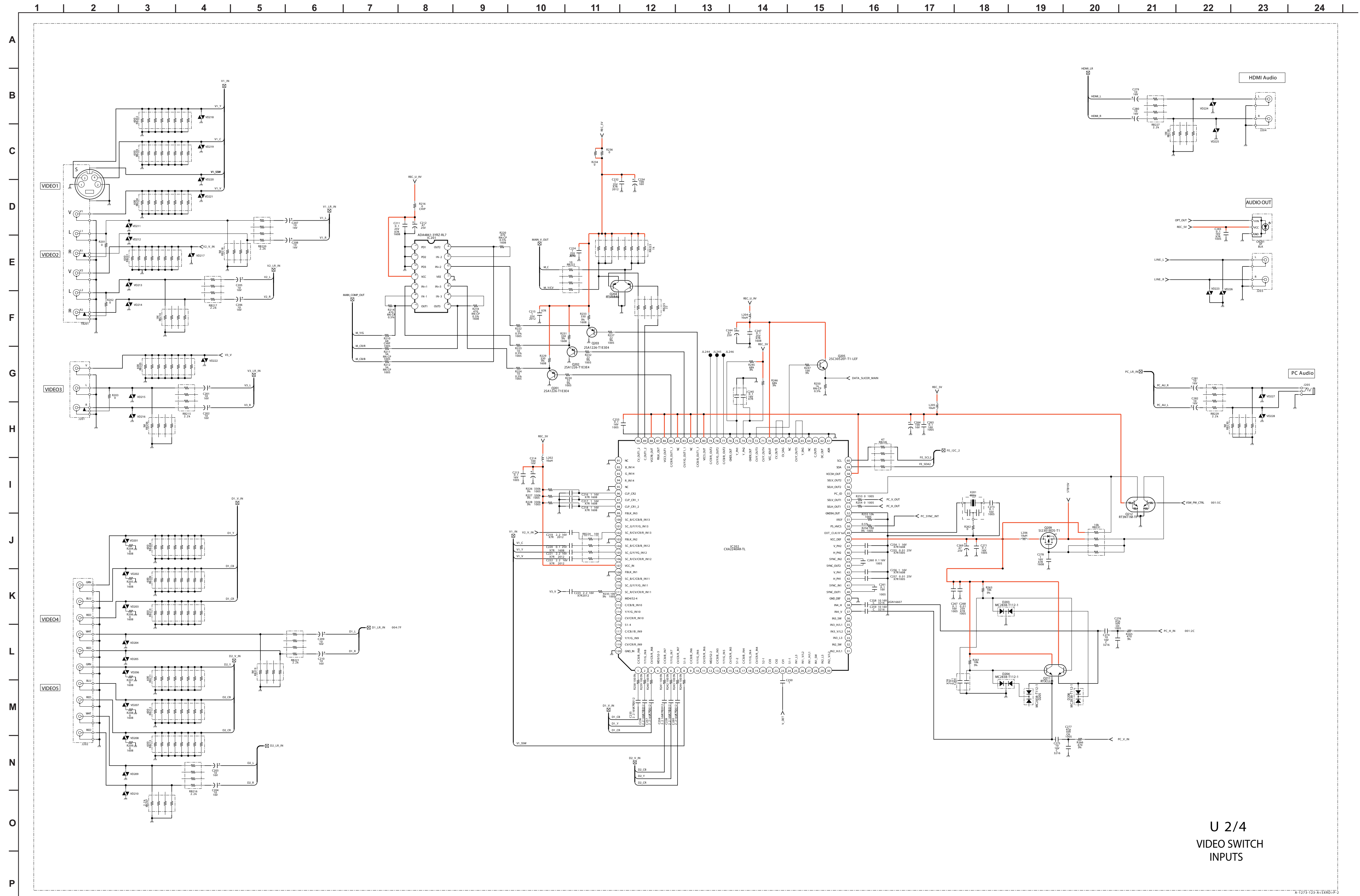
U BOARD SCHEMATIC DIAGRAM (1 OF 4)



U 1/4  
POWER REGS

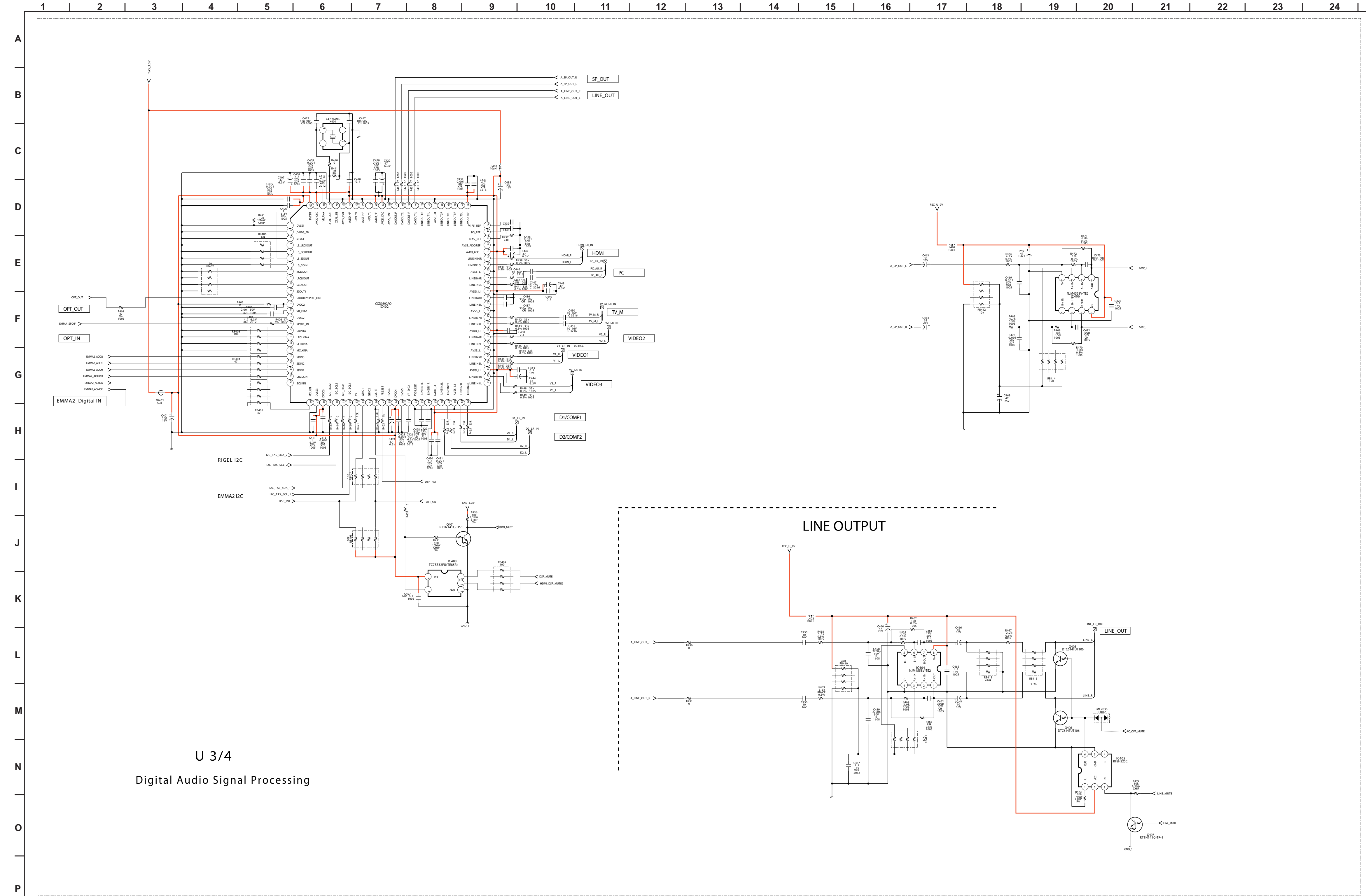
A-1273-123-A <SXRD>P-1

U BOARD SCHEMATIC DIAGRAM (2 OF 4)



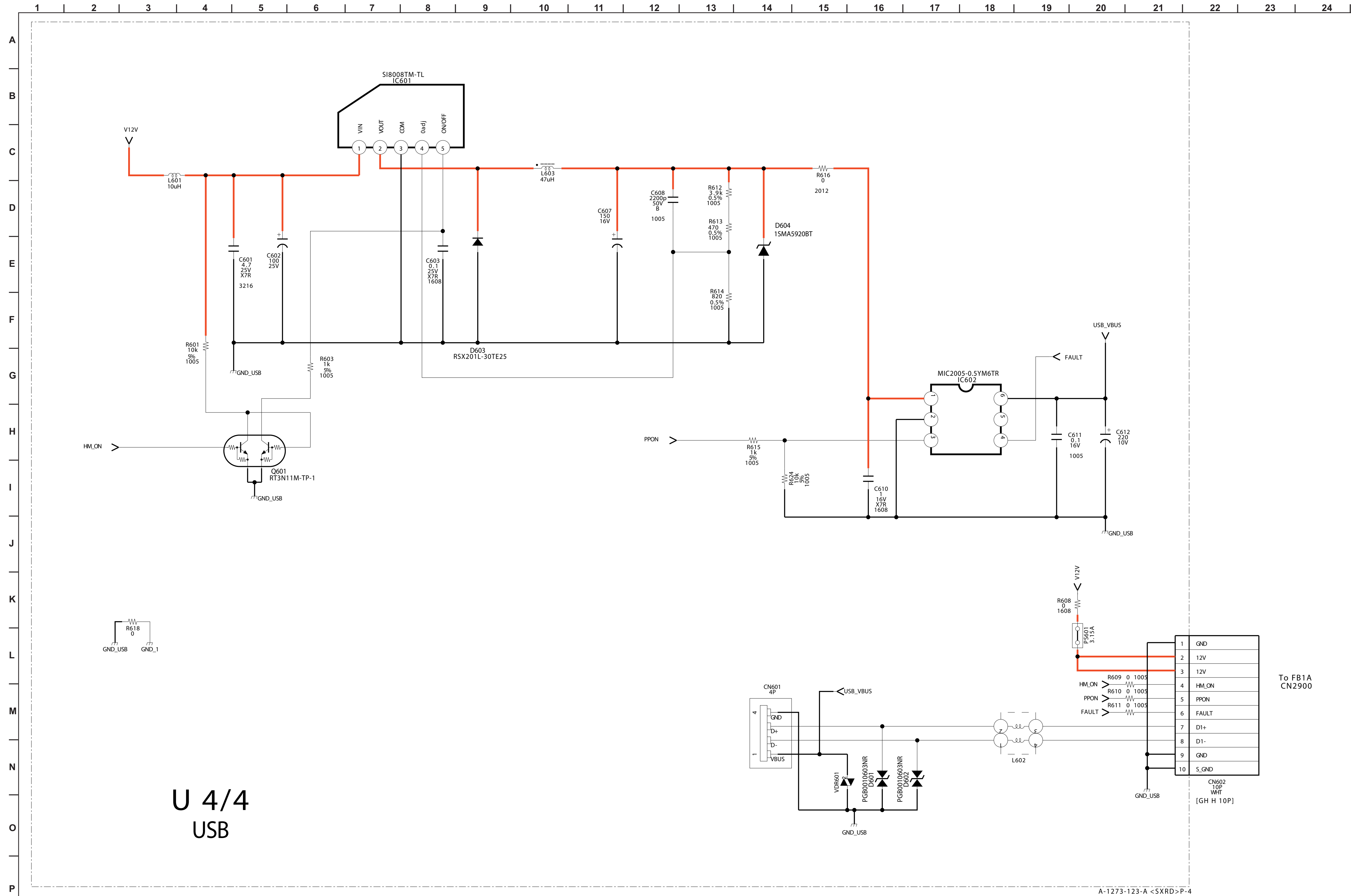
U 2/4  
VIDEO SWITCH  
INPUTS

U BOARD SCHEMATIC DIAGRAM (3 OF 4)



U 3/4  
Digital Audio Signal Processing

U BOARD SCHEMATIC DIAGRAM (4 OF 4)



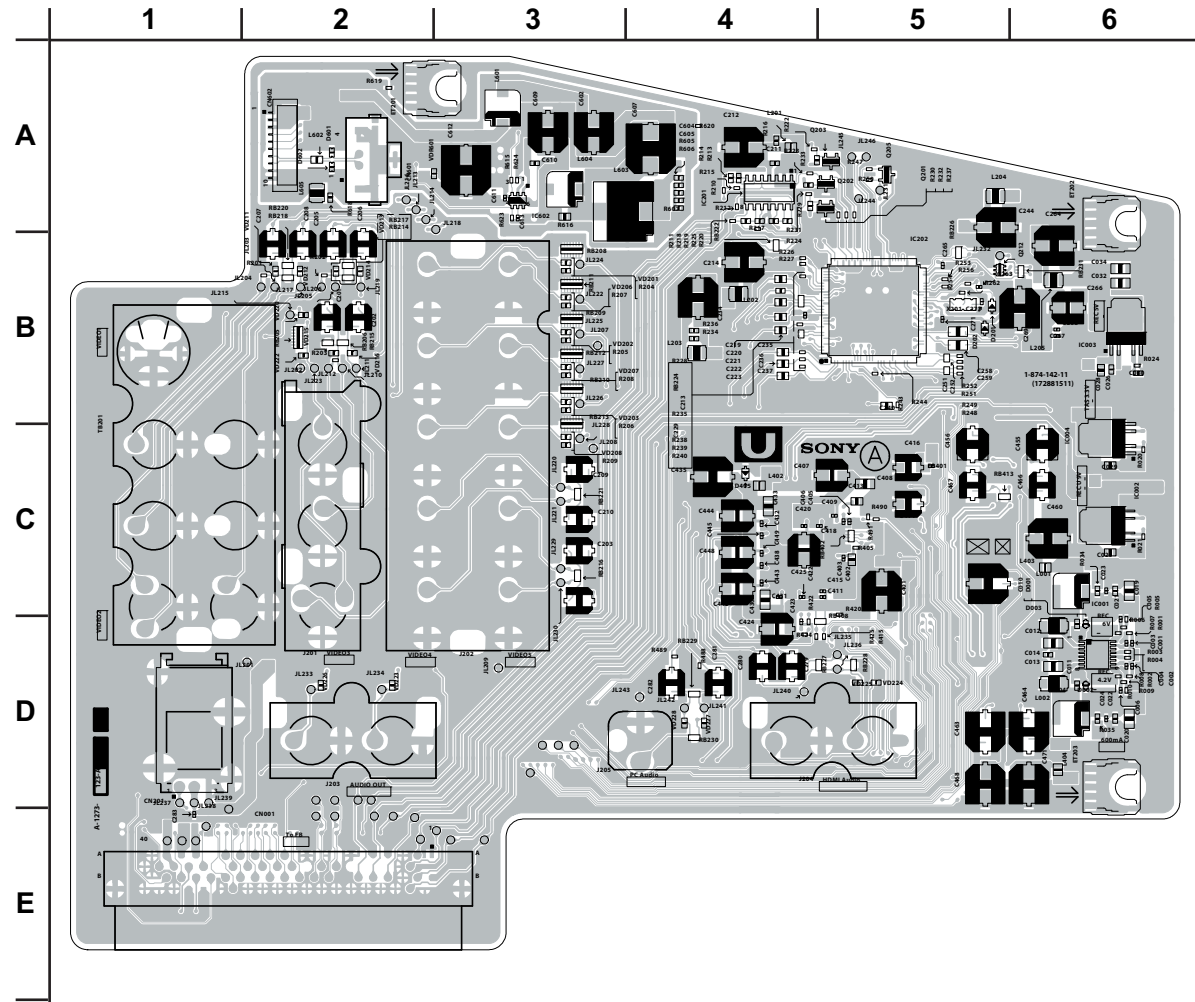
U 4/4  
USB

To FB1A  
CN2900



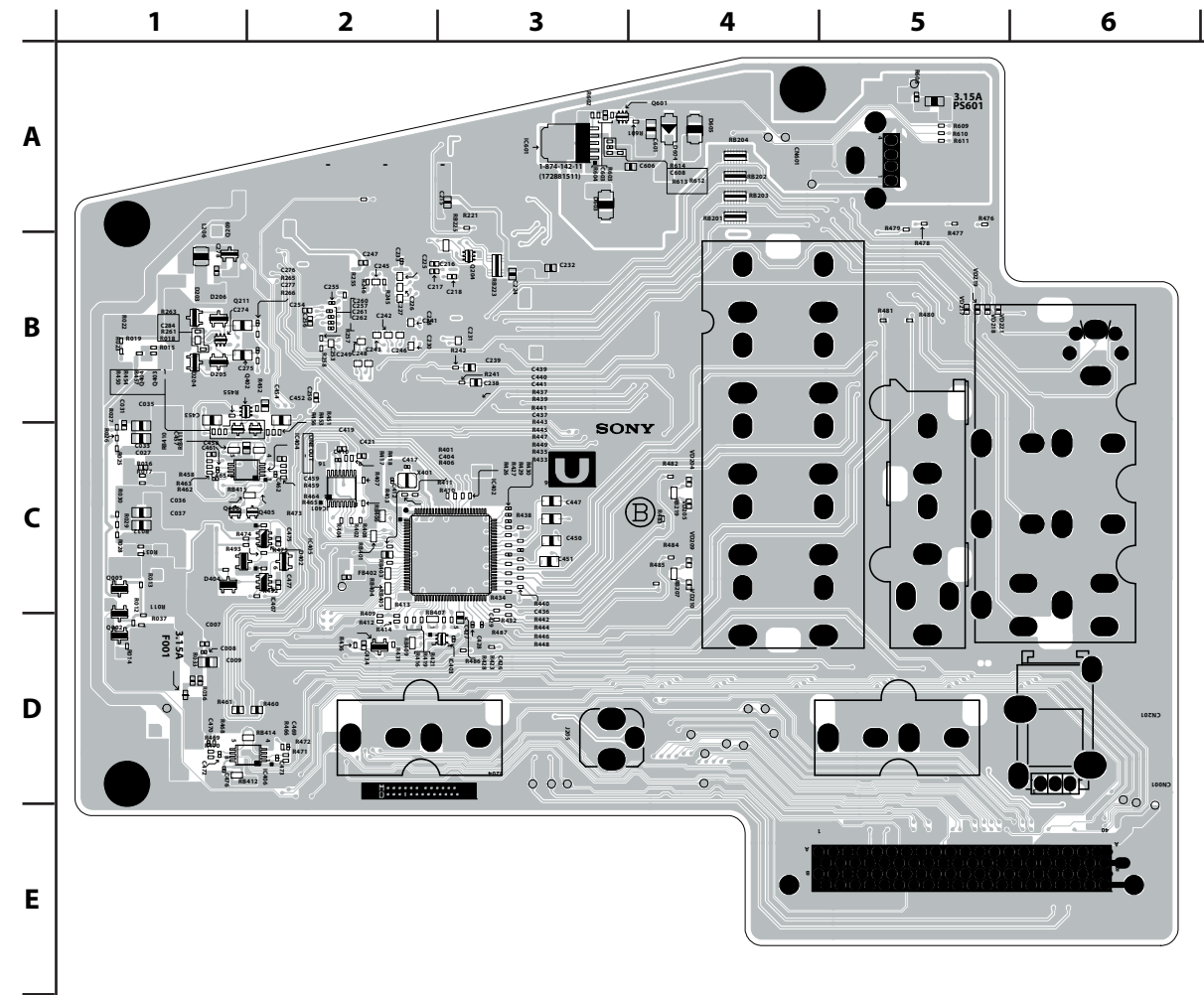
U

[POWER REGS, VIDEO SWITCH INPUTS, DIGITAL AUDIO SIGNAL PROCESSING, USB]  
COMPONENT SIDE



U

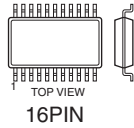
[POWER REGS, VIDEO SWITCH INPUTS, DIGITAL AUDIO SIGNAL PROCESSING, USB]  
CONDUCTOR SIDE



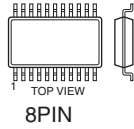


### 3-5. SEMICONDUCTORS

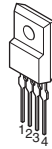
CXA1875AM-T4



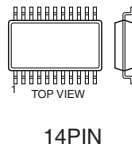
M24C02-WMN6T(B)  
M24C64-WMN6T(B)  
MM1096AFF  
NJM4558V-TE2



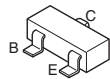
PQ070XHA1ZPH



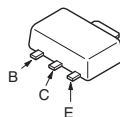
TLC2933AIPWR



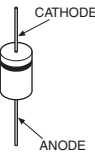
2PA1576A-115  
2PC4081R-115  
2SA1037K-T146-R  
2SA1576A-T106-QR  
2SB624-BV5  
2SC1623-L5L6  
2SC3624A-T1L15L16  
2SC4081-R  
2SC4178-F14  
2SD596-DV5  
DTC114EUA  
DTC114YUA  
DTC144EUA-T106



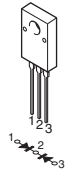
2SB1122-S  
2SD1621-S  
2SK2036(TE85L)



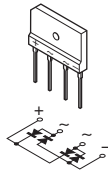
10ERB20-TB3  
RD5.6SB-T1



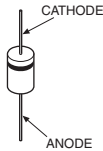
D10SC6M



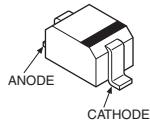
D1NL40-TA2  
D2SB60A-F04  
D4SBS6



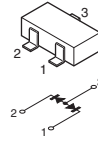
D1NS6-TR2  
ERA22-08KFLB  
S3L20UF4



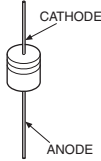
DTZ10B  
MA111-TX  
MA113-(TX)  
MMDL914T1  
UDZ-TE-17-6.8B  
UDZ-TE-17-7.5B  
UDZS-TE-17-3.3B  
UDZS-TE-17-3.9B  
UDZS-TE-17-5.6B



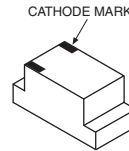
M1MA152WK-T1



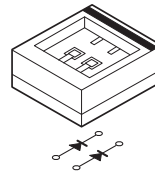
MM3Z12VT1  
MM3Z16VST1  
MM3Z3V9T1



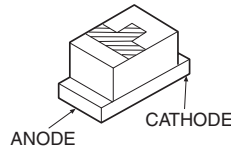
SEC1901C



SML-020MVT-T86



SML-310LTT86  
SML-310MTT86





## SECTION 4: EXPLODED VIEWS


Components not identified by a part number or description are not stocked because they are seldom required for routine service.

The component parts of an assembly are indicated by the reference numbers in the far right column of the parts list and within the dotted lines of the diagram.

\* Items marked with an asterisk are not stocked since they are seldom required for routine service. Expect some delay when ordering these components.

NOTE: The components identified by shading and  mark are critical for safety. Replace only with part number specified.

NOTE: Les composants identifiés par un trame et une marque  sont critiques pour la sécurité. Ne les remplacer que par une pièce portant le numéro spécifié.

NOTE: The components identified by a red outline and a  mark contain confidential information. Specific instructions must be adhered to whenever these components are repaired and/or replaced. See Appendix A: Encryption Key Components in the back of this manual.

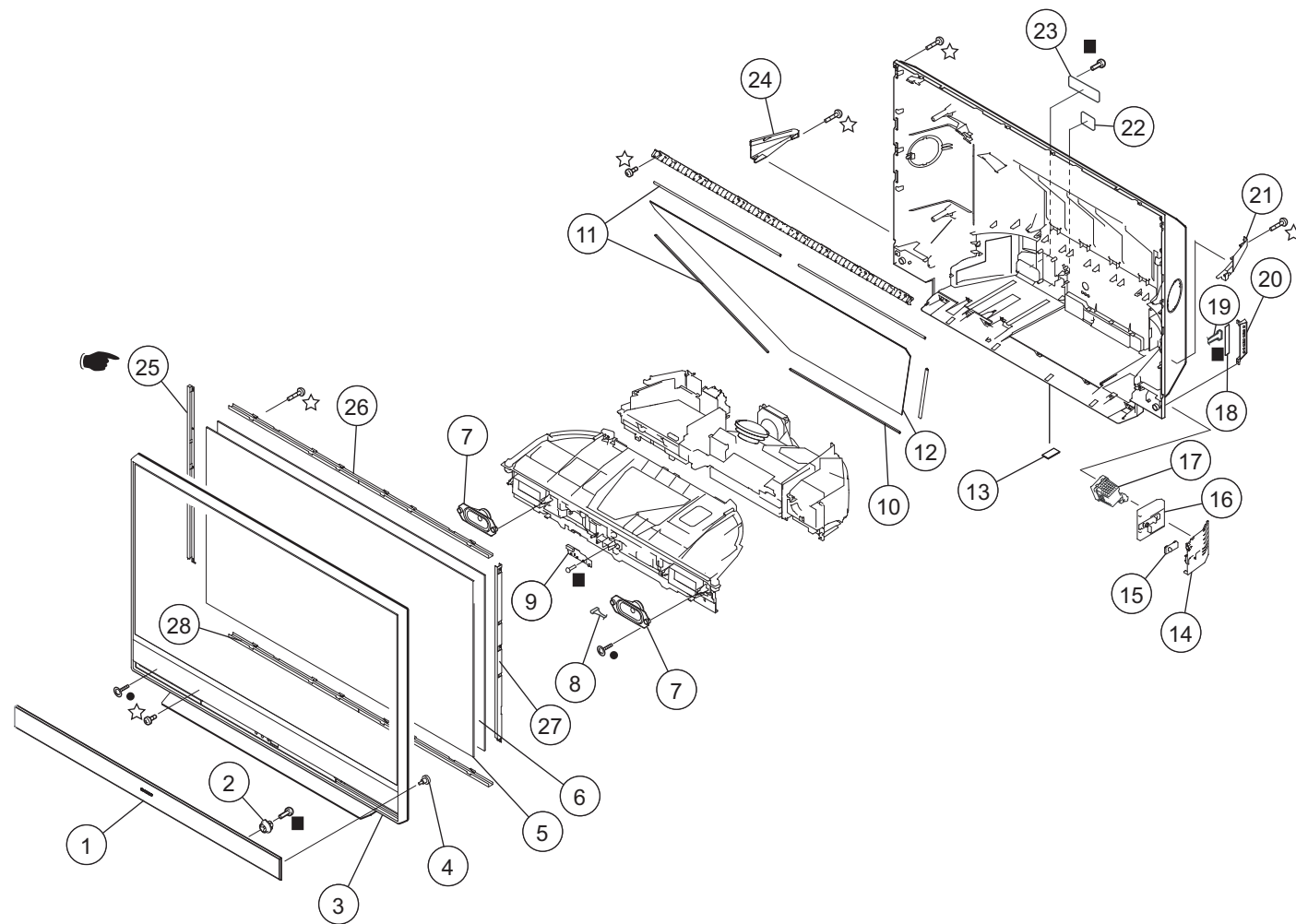
(Check the [Sony Electronics Service Information](#) website for any additional service related issues for this model.)

### 4-1. SCREEN FRAME ASSEMBLY AND MIRROR

- 7-685-648-79 SCREW +BVTP 3X12 TYPE2 IT-3
- ☆ 2-580-640-01 SCREW, +BVTP2 4X16
- 2-580-654-11 SCREW, +PWTP2 4X16

**Caution:**

Be sure to clean the mirror and Diffusion Plate(s) to remove any dust particles when making any repairs.



REF. NO.	PART NO.	DESCRIPTION	[ASSEMBLY INCLUDES]	REF. NO.	PART NO.	DESCRIPTION	[ASSEMBLY INCLUDES]
1	X-2178-859-1	SPEAKER GRILLE ASSEMBLY (KDS-50A3000 ONLY)		12	3-213-357-01	MIRROR (50) (KDS-50A3000 ONLY)	
1	X-2178-858-1	SPEAKER GRILLE ASSEMBLY (KDS-55A3000 ONLY)		12	3-213-356-01	MIRROR (55) (KDS-55A3000 ONLY)	
1	X-2178-647-1	SPEAKER GRILLE ASSEMBLY (KDS-60A3000 ONLY)		12	3-212-541-01	MIRROR (60) (KDS-60A3000 ONLY)	
2	4-088-589-11	LATCH (S)		13	4-097-548-11	CUSHION, FOOT	
3	A-1382-045-A	SCREEN FRAME (50) ASSEMBLY (KDS-50A3000 ONLY)		14	3-210-651-01	LAMP COVER	
3	A-1382-044-A	SCREEN FRAME (55) ASSEMBLY (KDS-55A3000 ONLY)		15	3-093-887-01	LEVER (LAMP COVER)	
3	A-1382-043-A	SCREEN FRAME (60) ASSEMBLY (KDS-60A3000 ONLY)		16	A-1336-138-A	DOOR ASSEMBLY, LAMP	
4	4-374-102-01	SCREW (B), ORNAMENTAL		17	F93088600	LAMP	(REPLACEMENT LAMP -120W, XL-5200 ULTRA HIGH PRESSURE LAMP)
5	3-214-208-11	PLATE(50L), DIFFUSION (KDS-50A3000 ONLY)		18	A-1254-771-A	H1 BOARD, MOUNTED	
5	3-214-206-11	PLATE (55L), DIFFUSION (KDS-55A3000 ONLY)		19	1-910-038-86	XA CONNECTOR ASSEMBLY 4P	
5	3-214-204-11	PLATE (60L), DIFFUSION (KDS-60A3000 ONLY)		20	3-210-654-01	SIDE CONTROL BRACKET (60)	
6	3-214-209-11	PLATE(50F), DIFFUSION (KDS-50A3000 ONLY)		21	3-210-751-01	COVER (R), SIDE (KDS-50A3000 ONLY)	
6	3-214-207-11	PLATE (55F), DIFFUSION (KDS-55A3000 ONLY)		22	4-094-922-61	COVER, ECS (15V)	
6	3-214-205-11	PLATE (60F), DIFFUSION (KDS-60A3000 ONLY)		23	2-593-083-21	CAP, CONNECTOR	
7	1-826-475-11	LOUDSPEAKER (6.5X13CM)		24	3-210-750-01	COVER (L), SIDE (KDS-50A3000 ONLY)	
8	1-910-038-83	SLR CONNECTOR ASSEMBLY 4P		25	3-210-745-01	HOLDER (50 L SIDE), SCREEN (KDS-50A3000 ONLY)	
9	A-1254-772-A	H2 BOARD, MOUNTED		25	3-210-734-01	HOLDER (55 L SIDE), SCREEN (KDS-55A3000 ONLY)	
10	3-215-399-61	GUARD, MIRROR EDGE (KDS-50A3000 ONLY)		25	3-210-634-01	HOLDER (60 L SIDE), SCREEN (KDS-60A3000 ONLY)	
10	3-215-399-21	GUARD, MIRROR EDGE (KDS-55A3000 ONLY)		26	3-210-744-01	HOLDER (50 TOP), SCREEN (KDS-50A3000 ONLY)	
10	3-215-399-51	GUARD, MIRROR EDGE (KDS-60A3000 ONLY)		26	3-210-733-01	HOLDER (55 TOP), SCREEN (KDS-55A3000 ONLY)	
11	3-215-399-11	GUARD, MIRROR EDGE (KDS-50A3000 ONLY)		26	3-210-633-01	HOLDER (60 TOP), SCREEN (KDS-60A3000 ONLY)	
11	3-215-399-01	GUARD, MIRROR EDGE (KDS-55A3000 ONLY)		27	3-210-746-01	HOLDER (50 R SIDE), SCREEN (KDS-50A3000 ONLY)	
11	3-215-399-41	GUARD, MIRROR EDGE (KDS-60A3000 ONLY)		27	3-210-735-01	HOLDER (55 R SIDE), SCREEN (KDS-55A3000 ONLY)	
				27	3-210-635-01	HOLDER (60 R SIDE), SCREEN (KDS-60A3000 ONLY)	
				28	3-210-747-02	HOLDER (50 BT), SCREEN (KDS-50A3000 ONLY)	
				28	3-210-736-02	HOLDER (55 BT), SCREEN (KDS-55A3000 ONLY)	
				28	3-210-636-02	HOLDER (60 BT), SCREEN (KDS-60A3000 ONLY)	

NOTE: When replacing the Diffusion Plates, order TAPE, PE 100 (3-275-116-01) and the Double Side Tape (3-275-118-21) and review the instructions in the Disassembly section of this manual.

NOTE: When replacing the Diffusion Plates, order TAPE (LS) (3-083-884-010) and the Double Side Tape (3-275-117-01/3-275-118-01) and review the instructions in the Disassembly section of this manual.

NOTE: The components identified by shading and  $\triangle$  mark are critical for safety. Replace only with part number specified.

NOTE: Les composants identifiés par un triangle et une marque  $\triangle$  sont critiques pour la sécurité. Ne les remplacer que par une pièce portant le numéro spécifié.

NOTE: The components identified by a red outline and a  $\mathfrak{L}$  mark contain confidential information. Specific instructions must be adhered to whenever these components are repaired and/or replaced. See Appendix A: Encryption Key Components in the back of this manual.

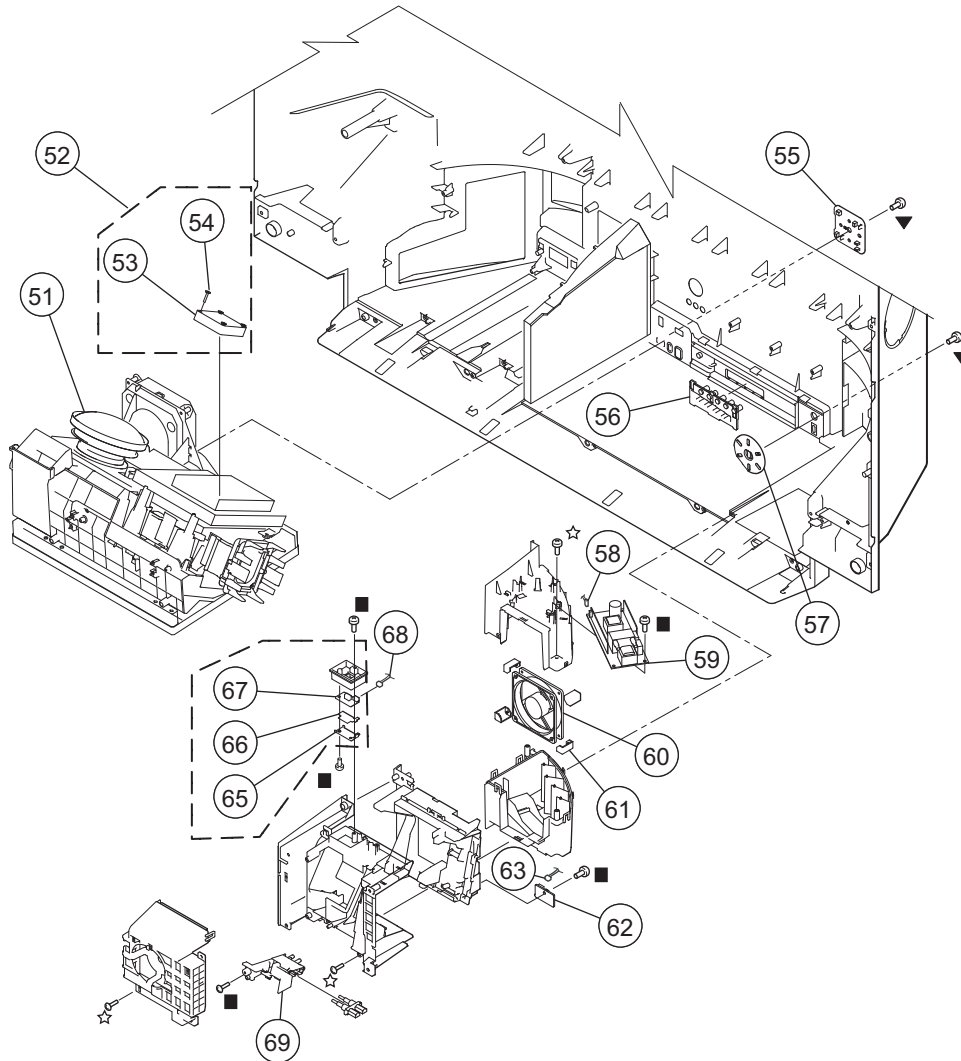
(Check the [Sony Electronics Service Information](#) website for any additional service related issues for this model.)

## 4-2. OPTICS BLOCK ASSEMBLY

■	7-685-648-79	SCREW +BVTP 3X12 TYPE2 IT-3
☆	2-580-640-01	SCREW, +BVTP2 4X16
▼	2-580-655-01	SCREW, +PWHTP2 4X25

### Caution:

Be sure to clean the mirror and Diffusion Plate(s) to remove any dust particles when making any repairs.



REF. NO.	PART NO.	DESCRIPTION	[ASSEMBLY INCLUDES]	REF. NO.	PART NO.	DESCRIPTION	[ASSEMBLY INCLUDES]
51	A-1359-074-A	OPTICS BLOCK ASSEMBLY		62	A-1254-775-A	T BOARD, MOUNTED	
52	A-1436-532-A	D.C. FAN KIT	[53-54]	63	1-910-038-77	GH CONNECTOR ASSEMBLY 2P	
$\triangle$ 53	1-787-333-11	D.C. FAN		64	A-1436-531-A	S2 BLOCK ASSEMBLY	[65-67]
54	2-637-595-01	RIVET, TURN		65	2-691-972-01	PLATE, FUSE	
55	3-210-657-01	ADJUSTER BLOCK (V)		66	2-691-973-01	SHEET, FUSE	
56	3-210-658-01	ADJUSTER SUPPORTER (V)		67	A-1254-774-A	S2 BOARD, MOUNTED	
57	3-210-659-01	ADJUSTER PLATE (H)		68	1-910-038-73	CONNECTOR ASSEMBLY 2P (THERMAL FUSE)	
58	1-910-038-75	SMP CONNECTOR ASSEMBLY 7P		$\mathfrak{L}$ 69	3-210-692-01	HOLDER, PLUG (BA) (For Power Supply Block)	
$\mathfrak{L}$ 59	1-480-180-11	POWER SUPPLY BLOCK					
$\triangle$ 60	8-835-860-31	(FAN) MOTOR, DC SFF21C/C-NP					
61	2-655-780-11	CUSHION, FAN					

NOTE: The components identified by shading and  $\triangle$  mark are critical for safety. Replace only with part number specified.

NOTE: Les composants identifiés par un triangle  $\triangle$  sont critiques pour la sécurité. Ne les remplacer que par une pièce portant le numéro spécifié.

NOTE: The components identified by a red outline and a  $\mathfrak{L}$  mark contain confidential information. Specific instructions must be adhered to whenever these components are repaired and/or replaced. See Appendix A: Encryption Key Components in the back of this manual.

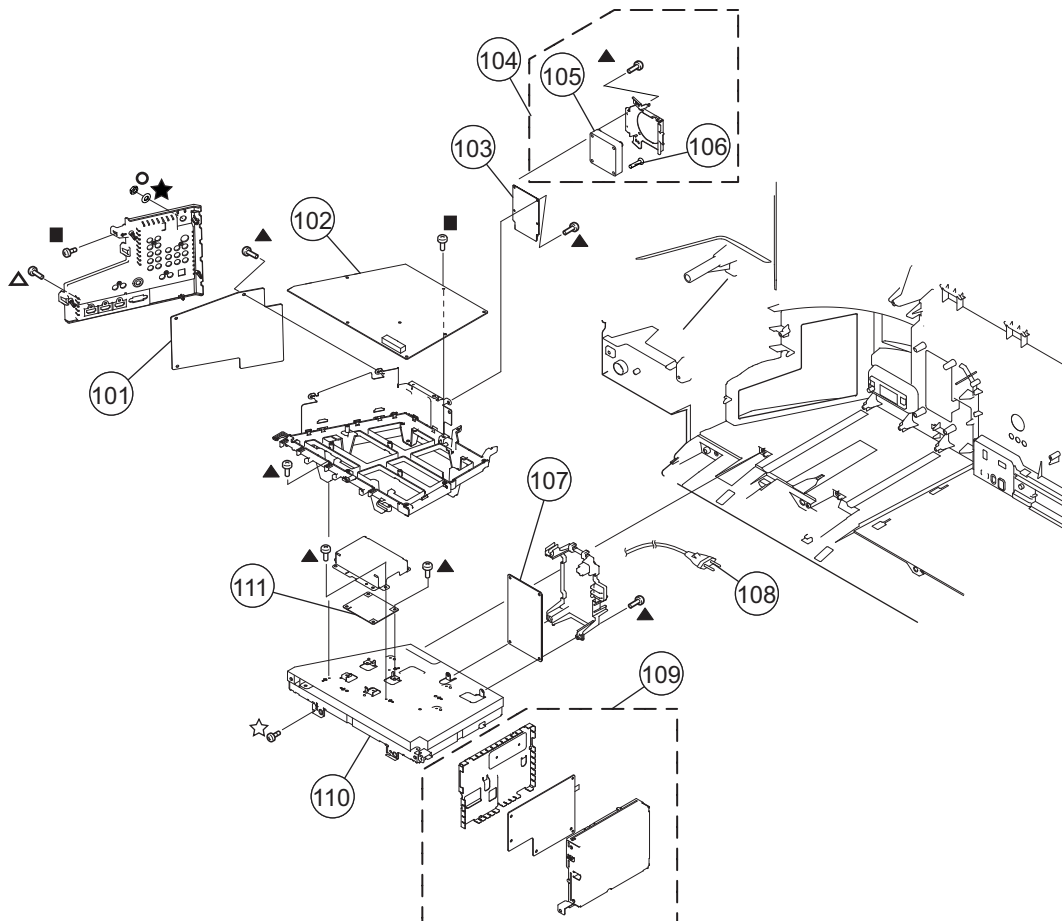
(Check the [Sony Electronics Service Information](#) website for any additional service related issues for this model.)

### 4-3. CHASSIS

■	7-685-648-79	SCREW +BVTP 3X12 TYPE2 IT-3
☆	2-580-640-01	SCREW, +BVTP2 4X16
▲	2-580-628-01	SCREW, +BVST 3X6
○	3-682-691-00	NUT, WASHER HEXAGON
★	3-650-537-00	WASHER
△	2-580-593-01	SCREW, +PSW M3X8

**Caution:**

Be sure to clean the mirror and Diffusion Plate(s) to remove any dust particles when making any repairs.



REF. NO.	PART NO.	DESCRIPTION	[ASSEMBLY INCLUDES]	REF. NO.	PART NO.	DESCRIPTION	[ASSEMBLY INCLUDES]
101	A-1273-123-A	U BOARD, COMPLETE		107	A-1269-159-A	F BOARD, MOUNTED	
102	A-1273-127-B	G BOARD, COMPLETE		$\triangle$ 108	1-827-159-21	CORD, AC POWER(WITH CONNECTOR)	
103	A-1273-122-A	A BOARD, COMPLETE		109	A-1436-396-A	TUU2 BLOCK ASSEMBLY	
104	A-1436-533-A	D.C. FAN KIT	[105-106]				(If the tuner needs to be replaced, the complete TUU2 Board must be replaced. The tuner cannot be ordered separately.)
$\triangle$ 105	1-787-409-11	D.C. FAN		$\mathfrak{L}$ 110	A-1436-395-A	FB1A BLOCK ASSEMBLY	
106	2-637-595-01	RIVET, TURN		111	A-1337-113-A	BC BOARD, MOUNTED	

NOTE: The components identified by shading and  $\triangle$  mark are critical for safety. Replace only with part number specified.

NOTE: Les composants identifiés par un triangle et une marque  $\triangle$  sont critiques pour la sécurité. Ne les remplacer que par une pièce portant le numéro spécifié.

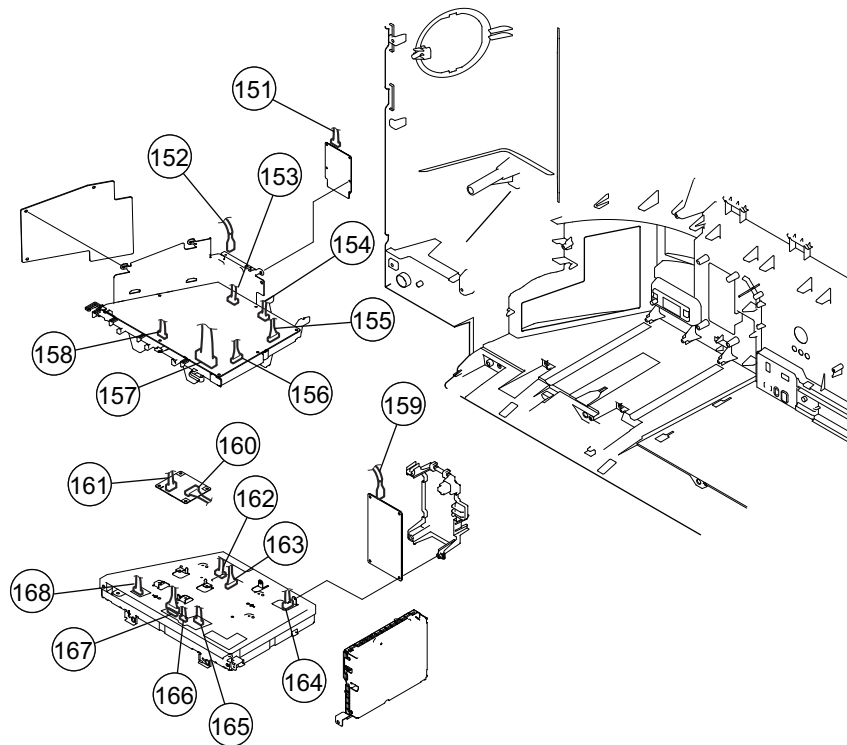
NOTE: The components identified by a red outline and a  $\text{Ⓜ}$  mark contain confidential information. Specific instructions must be adhered to whenever these components are repaired and/or replaced. See Appendix A: Encryption Key Components in the back of this manual.

(Check the [Sony Electronics Service Information](#) website for any additional service related issues for this model.)

#### 4-4. CONNECTORS

**Caution:**

Be sure to clean the mirror and Diffusion Plate(s) to remove any dust particles when making any repairs.



REF. NO.	PART NO.	DESCRIPTION	[ASSEMBLY INCLUDES]	REF. NO.	PART NO.	DESCRIPTION	[ASSEMBLY INCLUDES]
151	1-910-038-82	VH CONNECTOR ASSEMBLY 4P		$\text{Ⓜ}$ 160	1-834-344-11	LEAD WIRE WITH CONNECTOR (LVDS) (900 mm)	
152	1-910-038-91	FASTON CONNECTOR ASSEMBLY		161	1-910-040-05	GH CONNECTOR ASSEMBLY 6P	
153	1-910-038-72	VH CONNECTOR ASSEMBLY 4P		162	1-910-038-90	GH CONNECTOR ASSEMBLY 5P	
154	1-910-038-79	XA CONNECTOR ASSEMBLY 4P		163	1-910-039-91	GH CONNECTOR ASSEMBLY 12P	
155	1-910-038-71	XA SMP CONNECTOR ASSEMBLY 14P		164	1-910-038-87	MXJ CONNECTOR ASSEMBLY 20P	
156	1-910-038-78	XA SMP CONNECTOR ASSEMBLY 12P		165	1-910-038-81	CONNECTOR ASSEMBLY 20P-10P	
157	1-910-038-92	XAD CONNECTOR ASSEMBLY 34P		166	1-910-038-89	GH CONNECTOR ASSEMBLY 4P	
158	1-910-038-74	VH CONNECTOR ASSEMBLY 3P		$\text{Ⓜ}$ 167	1-834-521-11	LEAD WIRE WITH CONNECTOR (LVDS) (250 mm)	
159	1-910-040-83	FASTON CONNECTOR ASSEMBLY		168	1-910-038-76	GH CONNECTOR ASSEMBLY 13P	







REF. NO.	PART NO.	DESCRIPTION	VALUES	REF. NO.	PART NO.	DESCRIPTION	VALUES
<b><u>FUSE</u></b>				R1016	1-218-953-11	RES-CHIP	1K 5% 1/16W
F1000	1-576-933-21	FUSE	5A 24V	R1019	1-218-973-11	RES-CHIP	47K 5% 1/16W
<b><u>FERRITE BEAD</u></b>				R1020	1-218-973-11	RES-CHIP	47K 5% 1/16W
FB1001	1-414-445-11	FERRITE	0μH	R1021	1-218-973-11	RES-CHIP	47K 5% 1/16W
FB1002	1-414-445-11	FERRITE	0μH	R1022	1-208-935-11	METAL CHIP	100K 0.50% 1/16W
FB1003	1-414-445-11	FERRITE	0μH	R1023	1-218-978-11	RES-CHIP	120K 5% 1/16W
<b><u>FILTER</u></b>				R1024	1-218-978-11	RES-CHIP	120K 5% 1/16W
FL1000	1-234-979-21	FILTER, EMI REMOVAL (SMD)		R1025	1-218-977-11	RES-CHIP	100K 5% 1/16W
<b><u>IC</u></b>				R1026	1-218-963-11	RES-CHIP	6.8K 5% 1/16W
IC1001	6-708-762-01	IC	PQ200WNA1ZPH	R1027	1-216-295-91	SHORT CHIP	
IC1002	6-710-904-01	IC	TPA3100D2PHPR	R1028	1-216-295-91	SHORT CHIP	
IC1003	6-709-927-01	IC	RT8H225C-TP-2	R1029	1-216-295-91	SHORT CHIP	
<b><u>COIL</u></b>				R1030	1-216-295-91	SHORT CHIP	
L1001	1-481-083-11	INDUCTOR	22μH	R1031	1-218-965-11	RES-CHIP	10K 5% 1/16W
L1002	1-457-507-11	INDUCTOR	22μH	R1040	1-208-935-11	METAL CHIP	100K 0.50% 1/16W
L1003	1-457-507-11	INDUCTOR	22μH	R1041	1-208-935-11	METAL CHIP	100K 0.50% 1/16W
L1004	1-457-507-11	INDUCTOR	22μH	R1042	1-208-935-11	METAL CHIP	100K 0.50% 1/16W
L1005	1-457-507-11	INDUCTOR	22μH	R1043	1-208-935-11	METAL CHIP	100K 0.50% 1/16W
<b><u>TRANSISTOR</u></b>				R1044	1-218-969-11	RES-CHIP	22K 5% 1/16W
Q1000	8-729-620-07	TRANSISTOR	2SC3052EF-T1-LEF	R1047	1-218-990-81	SHORT CHIP	
Q1004	6-551-690-01	TRANSISTOR	RT3N11M-TP-1	R1049	1-218-965-11	RES-CHIP	10K 5% 1/16W
Q1005	6-551-321-01	TRANSISTOR	RT3WLM-TP-1F	R1050	1-218-965-11	RES-CHIP	10K 5% 1/16W
Q1006	6-551-271-01	TRANSISTOR	RT3AMMM	R1051	1-218-977-11	RES-CHIP	100K 5% 1/16W
Q1007	6-551-271-01	TRANSISTOR	RT3AMMM	R1052	1-218-990-81	SHORT CHIP	
Q1008	8-729-027-43	TRANSISTOR	DTC114EKA-T146	<b><u>RESISTOR BRIDGE</u></b>			
Q1009	6-551-551-01	TRANSISTOR	RT3N77M-TP-1	RB1000	1-234-944-21	RES, NETWORK 47	(1005X4)
Q1010	6-551-690-01	TRANSISTOR	RT3N11M-TP-1	RB1001	1-234-944-21	RES, NETWORK 47	(1005X4)
Q1011	8-729-027-43	TRANSISTOR	DTC114EKA-T146	RB1002	1-234-944-21	RES, NETWORK 47	(1005X4)
<b><u>RESISTOR</u></b>				RB1003	1-234-379-21	RES, NETWORK 22K	(1005X4)
R1005	1-218-965-11	RES-CHIP	10K 5% 1/16W	RB1004	1-234-381-21	RES, NETWORK 100K	(1005X4)
R1006	1-218-965-11	RES-CHIP	10K 5% 1/16W	RB1006	1-234-378-11	RES, NETWORK 10K	(1005X4)
R1007	1-218-958-11	RES-CHIP	2.7K 5% 1/16W	RB1007	1-234-944-21	RES, NETWORK 47	(1005X4)
R1008	1-218-958-11	RES-CHIP	2.7K 5% 1/16W				
R1009	1-208-691-11	METAL CHIP	2.2K 0.50% 1/16W				
R1014	1-216-295-91	SHORT CHIP					
R1015	1-216-295-91	SHORT CHIP					



REF. NO.	PART NO.	DESCRIPTION	VALUES			REF. NO.	PART NO.	DESCRIPTION	VALUES		
<div style="border: 1px solid black; padding: 2px; display: inline-block; font-weight: bold; font-size: 2em;">BC</div>					<b>A-1337-113-A BC BOARD, MOUNTED</b>						
					<b>CAPACITOR</b>						
C9902	1-112-777-11	CERAMIC CHIP	0.01μF	10%	25V	C9950	1-112-777-11	CERAMIC CHIP	0.01μF	10%	25V
C9905	1-112-781-11	CERAMIC CHIP	1μF	10%	10V	C9951	1-112-777-11	CERAMIC CHIP	0.01μF	10%	25V
C9907	1-112-777-11	CERAMIC CHIP	0.01μF	10%	25V	C9952	1-100-916-11	CERAMIC CHIP	0.1μF	10%	16V
C9909	1-100-909-11	CERAMIC CHIP	10μF	10%	6.3V	C9953	1-100-916-11	CERAMIC CHIP	0.1μF	10%	16V
C9910	1-100-909-11	CERAMIC CHIP	10μF	10%	6.3V	C9954	1-100-909-11	CERAMIC CHIP	10μF	10%	6.3V
C9911	1-112-777-11	CERAMIC CHIP	0.01μF	10%	25V	C9955	1-100-909-11	CERAMIC CHIP	10μF	10%	6.3V
C9912	1-112-777-11	CERAMIC CHIP	0.01μF	10%	25V	C9956	1-100-909-11	CERAMIC CHIP	10μF	10%	6.3V
C9913	1-112-777-11	CERAMIC CHIP	0.01μF	10%	25V	C9957	1-100-909-11	CERAMIC CHIP	10μF	10%	6.3V
C9914	1-112-777-11	CERAMIC CHIP	0.01μF	10%	25V	C9958	1-100-916-11	CERAMIC CHIP	0.1μF	10%	16V
C9916	1-112-777-11	CERAMIC CHIP	0.01μF	10%	25V	C9959	1-100-916-11	CERAMIC CHIP	0.1μF	10%	16V
C9917	1-112-777-11	CERAMIC CHIP	0.01μF	10%	25V	C9960	1-112-777-11	CERAMIC CHIP	0.01μF	10%	25V
C9918	1-112-777-11	CERAMIC CHIP	0.01μF	10%	25V	C9961	1-112-777-11	CERAMIC CHIP	0.01μF	10%	25V
C9920	1-112-777-11	CERAMIC CHIP	0.01μF	10%	25V	C9962	1-100-905-11	CERAMIC CHIP	0.001μF	10%	50V
C9921	1-100-916-11	CERAMIC CHIP	0.1μF	10%	16V	C9963	1-100-905-11	CERAMIC CHIP	0.001μF	10%	50V
C9922	1-112-777-11	CERAMIC CHIP	0.01μF	10%	25V	C9964	1-112-777-11	CERAMIC CHIP	0.01μF	10%	25V
C9923	1-100-916-11	CERAMIC CHIP	0.1μF	10%	16V	C9965	1-112-777-11	CERAMIC CHIP	0.01μF	10%	25V
C9924	1-100-909-11	CERAMIC CHIP	10μF	10%	6.3V	C9966	1-112-777-11	CERAMIC CHIP	0.01μF	10%	25V
C9928	1-112-777-11	CERAMIC CHIP	0.01μF	10%	25V	C9967	1-112-777-11	CERAMIC CHIP	0.01μF	10%	25V
C9929	1-112-777-11	CERAMIC CHIP	0.01μF	10%	25V	<b>CONNECTOR</b>					
C9930	1-112-777-11	CERAMIC CHIP	0.01μF	10%	25V	CN9900	1-821-391-11	CONNECTOR (RECEPTACLE,LVDS)	51P		
C9931	1-112-777-11	CERAMIC CHIP	0.01μF	10%	25V	* CN9901	1-819-474-11	HEADER ASSEMBLY FOR PWB			
C9934	1-112-777-11	CERAMIC CHIP	0.01μF	10%	25V	CN9902	1-821-391-11	CONNECTOR (RECEPTACLE,LVDS)	51P		
C9935	1-112-777-11	CERAMIC CHIP	0.01μF	10%	25V	<b>DIODE</b>					
C9936	1-100-905-11	CERAMIC CHIP	0.001μF	10%	50V	D9902	8-719-081-97	DIODE	MMDL914T1		
C9937	1-100-905-11	CERAMIC CHIP	0.001μF	10%	50V	<b>FERRITE BEAD</b>					
C9938	1-112-777-11	CERAMIC CHIP	0.01μF	10%	25V	FB9900	1-400-499-21	FERRITE	0μH		
C9939	1-112-777-11	CERAMIC CHIP	0.01μF	10%	25V	FB9901	1-400-499-21	FERRITE	0μH		
C9940	1-100-916-11	CERAMIC CHIP	0.1μF	10%	16V	FB9902	1-400-499-21	FERRITE	0μH		
C9941	1-100-916-11	CERAMIC CHIP	0.1μF	10%	16V	FB9903	1-400-499-21	FERRITE	0μH		
C9942	1-100-909-11	CERAMIC CHIP	10μF	10%	6.3V	FB9904	1-400-499-21	FERRITE	0μH		
C9943	1-100-909-11	CERAMIC CHIP	10μF	10%	6.3V	FB9905	1-400-499-21	FERRITE	0μH		
C9944	1-100-905-11	CERAMIC CHIP	0.001μF	10%	50V	FB9906	1-400-499-21	FERRITE	0μH		
C9945	1-112-777-11	CERAMIC CHIP	0.01μF	10%	25V	FB9907	1-400-499-21	FERRITE	0μH		
C9946	1-112-777-11	CERAMIC CHIP	0.01μF	10%	25V	FB9908	1-400-499-21	FERRITE	0μH		
C9947	1-112-777-11	CERAMIC CHIP	0.01μF	10%	25V	FB9909	1-400-499-21	FERRITE	0μH		
C9948	1-100-905-11	CERAMIC CHIP	0.001μF	10%	50V	FB9910	1-400-499-21	FERRITE	0μH		
C9949	1-100-905-11	CERAMIC CHIP	0.001μF	10%	50V	FB9911	1-400-499-21	FERRITE	0μH		
						FB9912	1-400-331-11	FERRITE	0μH		
						FB9913	1-400-331-11	FERRITE	0μH		
						FB9914	1-400-331-11	FERRITE	0μH		



REF. NO.	PART NO.	DESCRIPTION	VALUES	REF. NO.	PART NO.	DESCRIPTION	VALUES
FB9915	1-400-331-11	FERRITE	0μH	R9910	1-218-941-11	RES-CHIP	100 5% 1/16W
FB9916	1-400-331-11	FERRITE	0μH	R9911	1-218-941-11	RES-CHIP	100 5% 1/16W
FB9917	1-400-331-11	FERRITE	0μH	R9912	1-218-941-11	RES-CHIP	100 5% 1/16W
FB9918	1-400-331-11	FERRITE	0μH	R9913	1-218-941-11	RES-CHIP	100 5% 1/16W
FB9919	1-400-331-11	FERRITE	0μH	R9914	1-218-941-11	RES-CHIP	100 5% 1/16W
FB9920	1-400-331-11	FERRITE	0μH	R9915	1-218-941-11	RES-CHIP	100 5% 1/16W
FB9921	1-400-331-11	FERRITE	0μH	R9916	1-218-990-81	SHORT CHIP	
				R9918	1-208-687-11	METAL CHIP	1.5K 0.50% 1/16W
				R9919	1-208-683-11	METAL CHIP	1K 0.50% 1/16W
				R9922	1-208-695-11	METAL CHIP	3.3K 0.50% 1/16W
				R9926	1-218-965-11	RES-CHIP	10K 5% 1/16W
				R9927	1-218-965-11	RES-CHIP	10K 5% 1/16W
				R9930	1-218-990-81	SHORT CHIP	
				R9931	1-218-977-11	RES-CHIP	100K 5% 1/16W
				R9933	1-218-965-11	RES-CHIP	10K 5% 1/16W
				R9934	1-218-965-11	RES-CHIP	10K 5% 1/16W
				R9937	1-218-965-11	RES-CHIP	10K 5% 1/16W
				R9938	1-218-965-11	RES-CHIP	10K 5% 1/16W
				R9939	1-218-939-11	RES-CHIP	68 5% 1/16W
				R9940	1-218-939-11	RES-CHIP	68 5% 1/16W
				R9941	1-218-990-81	SHORT CHIP	
				R9943	1-218-990-81	SHORT CHIP	
				R9947	1-218-965-11	RES-CHIP	10K 5% 1/16W
				R9950	1-218-990-81	SHORT CHIP	
				R9951	1-218-990-81	SHORT CHIP	
				R9952	1-218-990-81	SHORT CHIP	
				R9953	1-218-990-81	SHORT CHIP	
				R9954	1-218-990-81	SHORT CHIP	
				R9955	1-218-990-81	SHORT CHIP	
				R9956	1-218-990-81	SHORT CHIP	
				R9957	1-218-990-81	SHORT CHIP	
				R9958	1-218-990-81	SHORT CHIP	
				R9959	1-218-990-81	SHORT CHIP	
				R9960	1-218-990-81	SHORT CHIP	
				R9961	1-218-990-81	SHORT CHIP	
				R9962	1-218-990-81	SHORT CHIP	
				R9963	1-218-990-81	SHORT CHIP	
				R9964	1-218-990-81	SHORT CHIP	
				R9965	1-218-990-81	SHORT CHIP	
				R9966	1-218-990-81	SHORT CHIP	
				R9967	1-218-990-81	SHORT CHIP	
				R9968	1-218-990-81	SHORT CHIP	
				R9969	1-218-990-81	SHORT CHIP	
				R9970	1-218-990-81	SHORT CHIP	
				R9972	1-218-965-11	RES-CHIP	10K 5% 1/16W
IC							
IC9900	6-704-643-01	IC	R3112N221A-TR-FA				
IC9901	6-708-603-01	IC	PQ070XNA1ZPH				
IC9903	6-708-739-01	IC	THC63LVD104S-T				
IC9904	6-708-739-01	IC	THC63LVD104S-T				
IC9905	6-711-751-01	IC	THC63LVD103D				
IC9906	6-711-751-01	IC	THC63LVD103D				
IC9907	6-704-566-01	IC	R3112N291A-TR-FA				
COIL							
L9904	1-457-223-11	INDUCTOR	0μH				
L9905	1-457-223-11	INDUCTOR	0μH				
L9906	1-457-223-11	INDUCTOR	0μH				
L9907	1-457-223-11	INDUCTOR	0μH				
L9908	1-457-223-11	INDUCTOR	0μH				
L9909	1-457-223-11	INDUCTOR	0μH				
L9910	1-457-223-11	INDUCTOR	0μH				
L9911	1-457-223-11	INDUCTOR	0μH				
L9912	1-457-223-11	INDUCTOR	0μH				
L9913	1-457-223-11	INDUCTOR	0μH				
L9914	1-457-223-11	INDUCTOR	0μH				
L9915	1-457-223-11	INDUCTOR	0μH				
RESISTOR							
R9900	1-218-990-81	SHORT CHIP					
R9901	1-218-990-81	SHORT CHIP					
R9902	1-218-990-81	SHORT CHIP					
R9903	1-218-990-81	SHORT CHIP					
R9904	1-218-941-11	RES-CHIP	100 5% 1/16W				
R9905	1-218-941-11	RES-CHIP	100 5% 1/16W				
R9906	1-218-941-11	RES-CHIP	100 5% 1/16W				
R9907	1-218-941-11	RES-CHIP	100 5% 1/16W				
R9908	1-218-941-11	RES-CHIP	100 5% 1/16W				
R9909	1-218-941-11	RES-CHIP	100 5% 1/16W				


NOTE: The components identified by shading and  $\triangle$  mark are critical for safety. Replace only with part number specified.

NOTE: Les composants identifiés par un trame et une marque  $\triangle$  sont critiques pour la sécurité. Ne les remplacer que par une pièce portant le numéro spécifique.



REF. NO.	PART NO.	DESCRIPTION	VALUES	REF. NO.	PART NO.	DESCRIPTION	VALUES
R9973	1-218-965-11	RES-CHIP	10K 5% 1/16W	<b>F</b>	<b>A-1269-159-A F BOARD, MOUNTED</b>		
R9979	1-218-990-81	SHORT CHIP			<b>CAPACITOR</b>		
R9980	1-218-990-81	SHORT CHIP			$\triangle$ C6001	1-119-892-51	CERAMIC 470pF 10% 250V
R9981	1-218-990-81	SHORT CHIP			$\triangle$ C6002	1-119-892-51	CERAMIC 470pF 10% 250V
R9982	1-218-990-81	SHORT CHIP			$\triangle$ C6005	1-119-892-51	CERAMIC 470pF 10% 250V
R9983	1-218-990-81	SHORT CHIP			$\triangle$ C6006	1-119-892-51	CERAMIC 470pF 10% 250V
R9984	1-218-990-81	SHORT CHIP			$\triangle$ C6009	1-165-529-31	MYLAR 0.22 $\mu$ F 10 0V
R9985	1-218-990-81	SHORT CHIP			$\triangle$ C6016	1-165-530-21	MYLAR 0.47 $\mu$ F 10 0V
R9986	1-218-990-81	SHORT CHIP			$\triangle$ C6017	1-165-530-21	MYLAR 0.47 $\mu$ F 10 0V
R9987	1-218-990-81	SHORT CHIP			<b>CONNECTOR</b>		
R9988	1-218-990-81	SHORT CHIP			$\triangle$ CN6000	1-580-843-11	PIN, CONNECTOR (POWER)
R9989	1-218-990-81	SHORT CHIP			CN6001	1-580-843-11	PIN, CONNECTOR (POWER)
R9990	1-218-990-81	SHORT CHIP			CN6003	1-695-915-11	TAB (CONTACT)
R9991	1-218-990-81	SHORT CHIP			CN6004	1-695-915-11	TAB (CONTACT)
R9992	1-218-990-81	SHORT CHIP			<b>FUSE</b>		
R9993	1-218-990-81	SHORT CHIP			$\triangle$ F6000	1-576-232-51	FUSE 5A 250V
R9994	1-218-990-81	SHORT CHIP			<b>RESISTOR</b>		
<b>RESISTOR BRIDGE</b>				$\triangle$ R6001	1-219-759-11	METAL 1M 5% 1/2W	
RB9900	1-234-702-11	RES, NETWORK 68	(1005X4)	<b>VARISTOR</b>			
RB9901	1-234-702-11	RES, NETWORK 68	(1005X4)	$\triangle$ VD6000	1-804-996-21	VARISTOR	
RB9902	1-234-702-11	RES, NETWORK 68	(1005X4)	$\triangle$ VD6002	1-804-996-21	VARISTOR	
RB9903	1-234-702-11	RES, NETWORK 68	(1005X4)				
RB9904	1-234-702-11	RES, NETWORK 68	(1005X4)				
RB9905	1-234-702-11	RES, NETWORK 68	(1005X4)				
RB9906	1-234-702-11	RES, NETWORK 68	(1005X4)				
RB9907	1-234-702-11	RES, NETWORK 68	(1005X4)				
RB9908	1-234-702-11	RES, NETWORK 68	(1005X4)				
RB9909	1-234-702-11	RES, NETWORK 68	(1005X4)				
RB9910	1-234-702-11	RES, NETWORK 68	(1005X4)				
RB9911	1-234-702-11	RES, NETWORK 68	(1005X4)				
RB9912	1-234-702-11	RES, NETWORK 68	(1005X4)				
RB9913	1-234-702-11	RES, NETWORK 68	(1005X4)				
RB9914	1-234-702-11	RES, NETWORK 68	(1005X4)				
RB9915	1-234-702-11	RES, NETWORK 68	(1005X4)				
RB9916	1-234-702-11	RES, NETWORK 68	(1005X4)				
RB9917	1-234-702-11	RES, NETWORK 68	(1005X4)				



NOTE: The components identified by a red outline and a  mark contain confidential information. Specific instructions must be adhered to whenever these components are repaired and/or replaced.

See Appendix A: Encryption Key Components in the back of this manual.

# FB1A

REF. NO.	PART NO.	DESCRIPTION	VALUES			REF. NO.	PART NO.	DESCRIPTION	VALUES		
<b>FB1A</b>						C2300	1-112-777-11	CERAMIC CHIP	0.01μF	10%	25V
						C2301	1-112-777-11	CERAMIC CHIP	0.01μF	10%	25V
<b>FB1A</b>						C2305	1-100-916-11	CERAMIC CHIP	0.1μF	10%	16V
						C2306	1-112-777-11	CERAMIC CHIP	0.01μF	10%	25V
<b>FB1A</b>						C2309	1-112-777-11	CERAMIC CHIP	0.01μF	10%	25V
						C2310	1-112-777-11	CERAMIC CHIP	0.01μF	10%	25V
<b>FB1A</b>						C2313	1-112-777-11	CERAMIC CHIP	0.01μF	10%	25V
						C2315	1-112-777-11	CERAMIC CHIP	0.01μF	10%	25V
<b>FB1A</b>						C2316	1-112-777-11	CERAMIC CHIP	0.01μF	10%	25V
						C2317	1-112-777-11	CERAMIC CHIP	0.01μF	10%	25V
<b>FB1A</b>						C2318	1-112-777-11	CERAMIC CHIP	0.01μF	10%	25V
						C2319	1-112-777-11	CERAMIC CHIP	0.01μF	10%	25V
<b>FB1A</b>						C2320	1-112-777-11	CERAMIC CHIP	0.01μF	10%	25V
						C2321	1-112-777-11	CERAMIC CHIP	0.01μF	10%	25V
<b>FB1A</b>						C2322	1-100-916-11	CERAMIC CHIP	0.1μF	10%	16V
						C2323	1-112-777-11	CERAMIC CHIP	0.01μF	10%	25V
<b>FB1A</b>						C2324	1-100-916-11	CERAMIC CHIP	0.1μF	10%	16V
						C2325	1-112-777-11	CERAMIC CHIP	0.01μF	10%	25V
<b>FB1A</b>						C2326	1-100-916-11	CERAMIC CHIP	0.1μF	10%	16V
						C2327	1-112-777-11	CERAMIC CHIP	0.01μF	10%	25V
<b>FB1A</b>						C2328	1-100-916-11	CERAMIC CHIP	0.1μF	10%	16V
						C2329	1-112-777-11	CERAMIC CHIP	0.01μF	10%	25V
<b>FB1A</b>						C2330	1-100-916-11	CERAMIC CHIP	0.1μF	10%	16V
						C2331	1-112-777-11	CERAMIC CHIP	0.01μF	10%	25V
<b>FB1A</b>						C2332	1-100-916-11	CERAMIC CHIP	0.1μF	10%	16V
						C2333	1-112-777-11	CERAMIC CHIP	0.01μF	10%	25V
<b>FB1A</b>						C2334	1-100-916-11	CERAMIC CHIP	0.1μF	10%	16V
						C2335	1-112-777-11	CERAMIC CHIP	0.01μF	10%	25V
<b>FB1A</b>						C2336	1-100-916-11	CERAMIC CHIP	0.1μF	10%	16V
						C2337	1-112-777-11	CERAMIC CHIP	0.01μF	10%	25V
<b>FB1A</b>						C2338	1-100-916-11	CERAMIC CHIP	0.1μF	10%	16V
						C2339	1-112-777-11	CERAMIC CHIP	0.01μF	10%	25V
<b>FB1A</b>						C2340	1-100-916-11	CERAMIC CHIP	0.1μF	10%	16V
						C2341	1-112-777-11	CERAMIC CHIP	0.01μF	10%	25V
<b>FB1A</b>						C2342	1-100-916-11	CERAMIC CHIP	0.1μF	10%	16V
						C2343	1-112-777-11	CERAMIC CHIP	0.01μF	10%	25V
<b>FB1A</b>						C2344	1-100-916-11	CERAMIC CHIP	0.1μF	10%	16V
						C2345	1-112-777-11	CERAMIC CHIP	0.01μF	10%	25V
<b>FB1A</b>						C2346	1-100-916-11	CERAMIC CHIP	0.1μF	10%	16V
						C2347	1-112-777-11	CERAMIC CHIP	0.01μF	10%	25V
<b>FB1A</b>						C2348	1-100-916-11	CERAMIC CHIP	0.1μF	10%	16V
						C2349	1-112-777-11	CERAMIC CHIP	0.01μF	10%	25V
<b>FB1A</b>						C2350	1-100-916-11	CERAMIC CHIP	0.1μF	10%	16V
						C2100	1-100-905-11	CERAMIC CHIP	0.001μF	10%	50V
<b>FB1A</b>						C2101	1-100-905-11	CERAMIC CHIP	0.001μF	10%	50V
						C2102	1-100-905-11	CERAMIC CHIP	0.001μF	10%	50V
<b>FB1A</b>						C2103	1-164-874-11	CERAMIC CHIP	100pF	5%	50V
						C2104	1-100-905-11	CERAMIC CHIP	0.001μF	10%	50V
<b>FB1A</b>						C2105	1-100-905-11	CERAMIC CHIP	0.001μF	10%	50V
						C2106	1-164-874-11	CERAMIC CHIP	100pF	5%	50V
<b>FB1A</b>						C2107	1-164-874-11	CERAMIC CHIP	100pF	5%	50V
						C2108	1-164-874-11	CERAMIC CHIP	100pF	5%	50V
<b>FB1A</b>						C2109	1-112-777-11	CERAMIC CHIP	0.01μF	10%	25V
						C2111	1-112-777-11	CERAMIC CHIP	0.01μF	10%	25V
<b>FB1A</b>						C2113	1-112-777-11	CERAMIC CHIP	0.01μF	10%	25V
						C2114	1-112-777-11	CERAMIC CHIP	0.01μF	10%	25V
<b>FB1A</b>						C2115	1-112-777-11	CERAMIC CHIP	0.01μF	10%	25V
						C2116	1-164-874-11	CERAMIC CHIP	100pF	5%	50V
<b>FB1A</b>						C2117	1-164-874-11	CERAMIC CHIP	100pF	5%	50V
						C2120	1-164-874-11	CERAMIC CHIP	100pF	5%	50V
<b>FB1A</b>						C2121	1-112-777-11	CERAMIC CHIP	0.01μF	10%	25V
						C2122	1-164-849-11	CERAMIC CHIP	9pF	0.50pF	50V
<b>FB1A</b>						C2123	1-164-850-11	CERAMIC CHIP	10pF	0.50pF	50V
						C2124	1-112-777-11	CERAMIC CHIP	0.01μF	10%	25V
<b>FB1A</b>						C2125	1-164-874-11	CERAMIC CHIP	100pF	5%	50V
						C2126	1-164-874-11	CERAMIC CHIP	100pF	5%	50V
<b>FB1A</b>						C2127	1-112-777-11	CERAMIC CHIP	0.01μF	10%	25V
						C2131	1-100-916-11	CERAMIC CHIP	0.1μF	10%	16V
<b>FB1A</b>						C2132	1-100-916-11	CERAMIC CHIP	0.1μF	10%	16V
						C2133	1-100-916-11	CERAMIC CHIP	0.1μF	10%	16V



**FB1A**

REF. NO.	PART NO.	DESCRIPTION	VALUES			REF. NO.	PART NO.	DESCRIPTION	VALUES		
C2707	1-100-916-11	CERAMIC CHIP	0.1μF	10%	16V	C3312	1-114-343-11	ELECT CHIP	100μF	20%	6.3V
C2710	1-100-916-11	CERAMIC CHIP	0.1μF	10%	16V	C3317	1-100-909-11	CERAMIC CHIP	10μF	10%	6.3V
C2712	1-100-916-11	CERAMIC CHIP	0.1μF	10%	16V	C3319	1-100-911-11	CERAMIC CHIP	4.7μF	10%	25V
C2713	1-100-916-11	CERAMIC CHIP	0.1μF	10%	16V	C3321	1-114-331-11	CERAMIC CHIP	4.7μF	10%	10V
C2715	1-100-916-11	CERAMIC CHIP	0.1μF	10%	16V	C3323	1-100-916-11	CERAMIC CHIP	0.1μF	10%	16V
C2716	1-112-046-11	CERAMIC CHIP	4.7μF	10%	6.3V	C3327	1-112-064-11	CERAMIC CHIP	2.2μF	10%	10V
C2719	1-100-916-11	CERAMIC CHIP	0.1μF	10%	16V	C3330	1-114-130-11	CERAMIC CHIP	1μF		6.3V
C2720	1-164-874-11	CERAMIC CHIP	100pF	5%	50V	C3332	1-100-916-11	CERAMIC CHIP	0.1μF	10%	16V
C2721	1-114-130-11	CERAMIC CHIP	1μF		6.3V	C3334	1-100-911-11	CERAMIC CHIP	4.7μF	10%	25V
C2731	1-112-777-11	CERAMIC CHIP	0.01μF	10%	25V	C3337	1-112-786-11	ELECT CHIP	330μF	20%	4V
C2739	1-114-130-11	CERAMIC CHIP	1μF		6.3V	C3338	1-112-781-11	CERAMIC CHIP	1μF	10%	10V
C2900	1-112-777-11	CERAMIC CHIP	0.01μF	10%	25V	C3339	1-100-916-11	CERAMIC CHIP	0.1μF	10%	16V
C2902	1-112-777-11	CERAMIC CHIP	0.01μF	10%	25V	C3343	1-100-912-11	CERAMIC CHIP	1μF	10%	25V
C2904	1-100-916-11	CERAMIC CHIP	0.1μF	10%	16V	C3345	1-100-909-11	CERAMIC CHIP	10μF	10%	6.3V
C2907	1-112-777-11	CERAMIC CHIP	0.01μF	10%	25V	C3347	1-100-912-11	CERAMIC CHIP	1μF	10%	25V
C2908	1-112-777-11	CERAMIC CHIP	0.01μF	10%	25V	C3348	1-114-331-11	CERAMIC CHIP	4.7μF	10%	10V
C2909	1-100-916-11	CERAMIC CHIP	0.1μF	10%	16V	C3349	1-114-331-11	CERAMIC CHIP	4.7μF	10%	10V
C2910	1-164-852-11	CERAMIC CHIP	12pF	5%	50V	C3350	1-112-064-11	CERAMIC CHIP	2.2μF	10%	10V
C2912	1-112-777-11	CERAMIC CHIP	0.01μF	10%	25V	C4000	1-100-905-11	CERAMIC CHIP	0.001μF	10%	50V
C2913	1-100-916-11	CERAMIC CHIP	0.1μF	10%	16V	C4001	1-100-916-11	CERAMIC CHIP	0.1μF	10%	16V
C2915	1-112-777-11	CERAMIC CHIP	0.01μF	10%	25V	C4002	1-100-916-11	CERAMIC CHIP	0.1μF	10%	16V
C2916	1-164-852-11	CERAMIC CHIP	12pF	5%	50V	C4003	1-112-777-11	CERAMIC CHIP	0.01μF	10%	25V
C2918	1-100-909-11	CERAMIC CHIP	10μF	10%	6.3V	C4004	1-100-916-11	CERAMIC CHIP	0.1μF	10%	16V
C2919	1-100-916-11	CERAMIC CHIP	0.1μF	10%	16V	C4006	1-100-916-11	CERAMIC CHIP	0.1μF	10%	16V
C2922	1-112-777-11	CERAMIC CHIP	0.01μF	10%	25V	C4007	1-100-916-11	CERAMIC CHIP	0.1μF	10%	16V
C2923	1-112-777-11	CERAMIC CHIP	0.01μF	10%	25V	C4008	1-100-916-11	CERAMIC CHIP	0.1μF	10%	16V
C2924	1-112-777-11	CERAMIC CHIP	0.01μF	10%	25V	C4009	1-114-325-11	CERAMIC CHIP	0.1μF	10%	25V
C2925	1-112-777-11	CERAMIC CHIP	0.01μF	10%	25V	C4010	1-135-366-11	ELECT CHIP	100μF	20%	16V
C2927	1-112-777-11	CERAMIC CHIP	0.01μF	10%	25V	C4011	1-114-325-11	CERAMIC CHIP	0.1μF	10%	25V
C2929	1-112-777-11	CERAMIC CHIP	0.01μF	10%	25V	C4012	1-165-585-21	ELECT CHIP	47μF	20%	25V
C2931	1-112-777-11	CERAMIC CHIP	0.01μF	10%	25V	C4013	1-114-325-11	CERAMIC CHIP	0.1μF	10%	25V
C2933	1-112-777-11	CERAMIC CHIP	0.01μF	10%	25V	C4014	1-100-905-11	CERAMIC CHIP	0.001μF	10%	50V
C2935	1-112-777-11	CERAMIC CHIP	0.01μF	10%	25V	C4016	1-112-066-11	CERAMIC CHIP	10μF	10%	10V
C2938	1-112-777-11	CERAMIC CHIP	0.01μF	10%	25V	C4017	1-100-916-11	CERAMIC CHIP	0.1μF	10%	16V
C2939	1-112-777-11	CERAMIC CHIP	0.01μF	10%	25V	C4020	1-112-777-11	CERAMIC CHIP	0.01μF	10%	25V
C2940	1-112-777-11	CERAMIC CHIP	0.01μF	10%	25V	C4021	1-100-916-11	CERAMIC CHIP	0.1μF	10%	16V
C2941	1-112-777-11	CERAMIC CHIP	0.01μF	10%	25V	C4022	1-100-916-11	CERAMIC CHIP	0.1μF	10%	16V
C3300	1-100-916-11	CERAMIC CHIP	0.1μF	10%	16V	C4024	1-100-916-11	CERAMIC CHIP	0.1μF	10%	16V
C3301	1-162-963-11	CERAMIC CHIP	680pF	10%	50V	C4100	1-100-911-11	CERAMIC CHIP	4.7μF	10%	25V
C3302	1-100-905-11	CERAMIC CHIP	0.001μF	10%	50V	C4103	1-164-868-11	CERAMIC CHIP	56pF	5%	50V
C3303	1-100-911-11	CERAMIC CHIP	4.7μF	10%	25V	C4105	1-100-911-11	CERAMIC CHIP	4.7μF	10%	25V
C3306	1-100-916-11	CERAMIC CHIP	0.1μF	10%	16V	C4110	1-112-775-11	CERAMIC CHIP	0.0022μF	10%	50V
C3307	1-112-786-11	ELECT CHIP	330μF	20%	4V	C4112	1-164-245-11	CERAMIC CHIP	0.015μF	10%	25V
C3310	1-100-909-11	CERAMIC CHIP	10μF	10%	6.3V	C4114	1-100-912-11	CERAMIC CHIP	1μF	10%	25V
C3311	1-100-769-21	ELECT CHIP	470μF	20%	16V	C4116	1-100-912-11	CERAMIC CHIP	1μF	10%	25V

**FB1A**

REF. NO.	PART NO.	DESCRIPTION	VALUES			REF. NO.	PART NO.	DESCRIPTION	VALUES		
C4118	1-100-912-11	CERAMIC CHIP	1μF	10%	25V	C4342	1-100-916-11	CERAMIC CHIP	0.1μF	10%	16V
C4129	1-112-066-11	CERAMIC CHIP	10μF	10%	10V	C4343	1-100-916-11	CERAMIC CHIP	0.1μF	10%	16V
C4138	1-112-774-11	CERAMIC CHIP	470pF	10%	50V	C4344	1-112-066-11	CERAMIC CHIP	10μF	10%	10V
C4142	1-112-774-11	CERAMIC CHIP	470pF	10%	50V	C4353	1-112-777-11	CERAMIC CHIP	0.01μF	10%	25V
C4146	1-100-909-11	CERAMIC CHIP	10μF	10%	6.3V	C4354	1-112-777-11	CERAMIC CHIP	0.01μF	10%	25V
C4147	1-100-909-11	CERAMIC CHIP	10μF	10%	6.3V	C4355	1-112-777-11	CERAMIC CHIP	0.01μF	10%	25V
C4149	1-100-911-11	CERAMIC CHIP	4.7μF	10%	25V	C4356	1-112-777-11	CERAMIC CHIP	0.01μF	10%	25V
C4150	1-100-916-11	CERAMIC CHIP	0.1μF	10%	16V	C4357	1-112-777-11	CERAMIC CHIP	0.01μF	10%	25V
C4151	1-100-916-11	CERAMIC CHIP	0.1μF	10%	16V	C4358	1-112-777-11	CERAMIC CHIP	0.01μF	10%	25V
C4152	1-100-911-11	CERAMIC CHIP	4.7μF	10%	25V	C4359	1-112-777-11	CERAMIC CHIP	0.01μF	10%	25V
C4153	1-164-868-11	CERAMIC CHIP	56pF	5%	50V	C4360	1-112-777-11	CERAMIC CHIP	0.01μF	10%	25V
C4154	1-100-911-11	CERAMIC CHIP	4.7μF	10%	25V	C4500	1-100-909-11	CERAMIC CHIP	10μF	10%	6.3V
C4155	1-100-909-11	CERAMIC CHIP	10μF	10%	6.3V	C4501	1-100-909-11	CERAMIC CHIP	10μF	10%	6.3V
C4156	1-100-911-11	CERAMIC CHIP	4.7μF	10%	25V	C4502	1-100-909-11	CERAMIC CHIP	10μF	10%	6.3V
C4157	1-100-909-11	CERAMIC CHIP	10μF	10%	6.3V	C4503	1-100-909-11	CERAMIC CHIP	10μF	10%	6.3V
C4158	1-112-775-11	CERAMIC CHIP	0.0022μF	10%	50V	C4504	1-100-909-11	CERAMIC CHIP	10μF	10%	6.3V
C4159	1-164-245-11	CERAMIC CHIP	0.015μF	10%	25V	C4505	1-100-909-11	CERAMIC CHIP	10μF	10%	6.3V
C4160	1-100-912-11	CERAMIC CHIP	1μF	10%	25V	C4506	1-100-916-11	CERAMIC CHIP	0.1μF	10%	16V
C4162	1-100-912-11	CERAMIC CHIP	1μF	10%	25V	C4507	1-100-916-11	CERAMIC CHIP	0.1μF	10%	16V
C4165	1-100-912-11	CERAMIC CHIP	1μF	10%	25V	C4508	1-100-916-11	CERAMIC CHIP	0.1μF	10%	16V
C4170	1-164-245-11	CERAMIC CHIP	0.015μF	10%	25V	C4509	1-100-916-11	CERAMIC CHIP	0.1μF	10%	16V
C4171	1-112-066-11	CERAMIC CHIP	10μF	10%	10V	C4510	1-100-916-11	CERAMIC CHIP	0.1μF	10%	16V
C4172	1-112-775-11	CERAMIC CHIP	0.0022μF	10%	50V	C4511	1-100-916-11	CERAMIC CHIP	0.1μF	10%	16V
C4173	1-112-066-11	CERAMIC CHIP	10μF	10%	10V	C4512	1-100-916-11	CERAMIC CHIP	0.1μF	10%	16V
C4174	1-164-868-11	CERAMIC CHIP	56pF	5%	50V	C4513	1-100-916-11	CERAMIC CHIP	0.1μF	10%	16V
C4175	1-112-774-11	CERAMIC CHIP	470pF	10%	50V	C4514	1-100-916-11	CERAMIC CHIP	0.1μF	10%	16V
C4176	1-112-774-11	CERAMIC CHIP	470pF	10%	50V	C4515	1-100-916-11	CERAMIC CHIP	0.1μF	10%	16V
C4177	1-112-774-11	CERAMIC CHIP	470pF	10%	50V	C4516	1-100-916-11	CERAMIC CHIP	0.1μF	10%	16V
C4178	1-112-774-11	CERAMIC CHIP	470pF	10%	50V	C4517	1-100-916-11	CERAMIC CHIP	0.1μF	10%	16V
C4195	1-112-777-11	CERAMIC CHIP	0.01μF	10%	25V	C4518	1-100-916-11	CERAMIC CHIP	0.1μF	10%	16V
C4196	1-112-066-11	CERAMIC CHIP	10μF	10%	10V	C4519	1-100-916-11	CERAMIC CHIP	0.1μF	10%	16V
C4197	1-112-066-11	CERAMIC CHIP	10μF	10%	10V	C4520	1-100-916-11	CERAMIC CHIP	0.1μF	10%	16V
C4302	1-112-777-11	CERAMIC CHIP	0.01μF	10%	25V	C4521	1-100-905-11	CERAMIC CHIP	0.001μF	10%	50V
C4303	1-100-916-11	CERAMIC CHIP	0.1μF	10%	16V	C4522	1-100-916-11	CERAMIC CHIP	0.1μF	10%	16V
C4304	1-100-916-11	CERAMIC CHIP	0.1μF	10%	16V	C4523	1-100-916-11	CERAMIC CHIP	0.1μF	10%	16V
C4306	1-112-777-11	CERAMIC CHIP	0.01μF	10%	25V	C4524	1-100-916-11	CERAMIC CHIP	0.1μF	10%	16V
C4309	1-100-909-11	CERAMIC CHIP	10μF	10%	6.3V	C4525	1-100-916-11	CERAMIC CHIP	0.1μF	10%	16V
C4310	1-112-777-11	CERAMIC CHIP	0.01μF	10%	25V	C4526	1-100-916-11	CERAMIC CHIP	0.1μF	10%	16V
C4311	1-112-777-11	CERAMIC CHIP	0.01μF	10%	25V	C4527	1-100-916-11	CERAMIC CHIP	0.1μF	10%	16V
C4313	1-112-777-11	CERAMIC CHIP	0.01μF	10%	25V	C4528	1-100-916-11	CERAMIC CHIP	0.1μF	10%	16V
C4314	1-112-777-11	CERAMIC CHIP	0.01μF	10%	25V	C4529	1-100-916-11	CERAMIC CHIP	0.1μF	10%	16V
C4315	1-112-777-11	CERAMIC CHIP	0.01μF	10%	25V	C4530	1-100-916-11	CERAMIC CHIP	0.1μF	10%	16V
C4316	1-112-777-11	CERAMIC CHIP	0.01μF	10%	25V	C4531	1-100-916-11	CERAMIC CHIP	0.1μF	10%	16V
C4317	1-114-130-11	CERAMIC CHIP	1μF		6.3V	C4532	1-100-916-11	CERAMIC CHIP	0.1μF	10%	16V
C4341	1-100-909-11	CERAMIC CHIP	10μF	10%	6.3V	C4533	1-100-916-11	CERAMIC CHIP	0.1μF	10%	16V

FB1A
------

REF. NO.	PART NO.	DESCRIPTION	VALUES			REF. NO.	PART NO.	DESCRIPTION	VALUES		
C4534	1-100-916-11	CERAMIC CHIP	0.1μF	10%	16V	C4614	1-100-916-11	CERAMIC CHIP	0.1μF	10%	16V
C4535	1-100-916-11	CERAMIC CHIP	0.1μF	10%	16V	C4615	1-100-916-11	CERAMIC CHIP	0.1μF	10%	16V
C4536	1-100-916-11	CERAMIC CHIP	0.1μF	10%	16V	C4617	1-100-909-11	CERAMIC CHIP	10μF	10%	6.3V
C4537	1-100-909-11	CERAMIC CHIP	10μF	10%	6.3V	C4618	1-114-130-11	CERAMIC CHIP	1μF		6.3V
C4538	1-100-909-11	CERAMIC CHIP	10μF	10%	6.3V	C4619	1-100-916-11	CERAMIC CHIP	0.1μF	10%	16V
C4539	1-100-909-11	CERAMIC CHIP	10μF	10%	6.3V	C4620	1-100-916-11	CERAMIC CHIP	0.1μF	10%	16V
C4540	1-100-909-11	CERAMIC CHIP	10μF	10%	6.3V	C4621	1-100-916-11	CERAMIC CHIP	0.1μF	10%	16V
C4541	1-100-916-11	CERAMIC CHIP	0.1μF	10%	16V	C4622	1-100-916-11	CERAMIC CHIP	0.1μF	10%	16V
C4542	1-100-916-11	CERAMIC CHIP	0.1μF	10%	16V	C4623	1-100-909-11	CERAMIC CHIP	10μF	10%	6.3V
C4543	1-100-916-11	CERAMIC CHIP	0.1μF	10%	16V	C4624	1-100-909-11	CERAMIC CHIP	10μF	10%	6.3V
C4544	1-100-916-11	CERAMIC CHIP	0.1μF	10%	16V	C4626	1-100-909-11	CERAMIC CHIP	10μF	10%	6.3V
C4545	1-100-916-11	CERAMIC CHIP	0.1μF	10%	16V	C4627	1-100-909-11	CERAMIC CHIP	10μF	10%	6.3V
C4546	1-100-916-11	CERAMIC CHIP	0.1μF	10%	16V	C4628	1-100-916-11	CERAMIC CHIP	0.1μF	10%	16V
C4547	1-100-916-11	CERAMIC CHIP	0.1μF	10%	16V	C4629	1-162-970-11	CERAMIC CHIP	0.01μF	10%	25V
C4548	1-100-916-11	CERAMIC CHIP	0.1μF	10%	16V	C4631	1-100-916-11	CERAMIC CHIP	0.1μF	10%	16V
C4549	1-100-916-11	CERAMIC CHIP	0.1μF	10%	16V	C4632	1-100-909-11	CERAMIC CHIP	10μF	10%	6.3V
C4550	1-100-916-11	CERAMIC CHIP	0.1μF	10%	16V	C4633	1-164-172-11	CERAMIC CHIP	0.0056μF	10%	25V
C4551	1-100-916-11	CERAMIC CHIP	0.1μF	10%	16V	C4634	1-100-916-11	CERAMIC CHIP	0.1μF	10%	16V
C4552	1-100-916-11	CERAMIC CHIP	0.1μF	10%	16V	C4636	1-100-916-11	CERAMIC CHIP	0.1μF	10%	16V
C4553	1-100-916-11	CERAMIC CHIP	0.1μF	10%	16V	C4639	1-100-916-11	CERAMIC CHIP	0.1μF	10%	16V
C4554	1-100-916-11	CERAMIC CHIP	0.1μF	10%	16V	C4640	1-100-916-11	CERAMIC CHIP	0.1μF	10%	16V
C4555	1-100-916-11	CERAMIC CHIP	0.1μF	10%	16V	C4641	1-100-909-11	CERAMIC CHIP	10μF	10%	6.3V
C4556	1-100-916-11	CERAMIC CHIP	0.1μF	10%	16V	C4642	1-112-777-11	CERAMIC CHIP	0.01μF	10%	25V
C4559	1-112-777-11	CERAMIC CHIP	0.01μF	10%	25V	C4643	1-100-916-11	CERAMIC CHIP	0.1μF	10%	16V
C4560	1-112-777-11	CERAMIC CHIP	0.01μF	10%	25V	C4644	1-100-916-11	CERAMIC CHIP	0.1μF	10%	16V
C4561	1-112-777-11	CERAMIC CHIP	0.01μF	10%	25V	C4645	1-100-909-11	CERAMIC CHIP	10μF	10%	6.3V
C4562	1-112-777-11	CERAMIC CHIP	0.01μF	10%	25V	C4646	1-100-756-91	CERAMIC CHIP	0.047μF		50V
C4563	1-112-777-11	CERAMIC CHIP	0.01μF	10%	25V	C4647	1-100-916-11	CERAMIC CHIP	0.1μF	10%	16V
C4564	1-112-777-11	CERAMIC CHIP	0.01μF	10%	25V	C4649	1-100-909-11	CERAMIC CHIP	10μF	10%	6.3V
C4565	1-112-777-11	CERAMIC CHIP	0.01μF	10%	25V	C4650	1-100-909-11	CERAMIC CHIP	10μF	10%	6.3V
C4566	1-112-777-11	CERAMIC CHIP	0.01μF	10%	25V	C4700	1-112-777-11	CERAMIC CHIP	0.01μF	10%	25V
C4567	1-100-909-11	CERAMIC CHIP	10μF	10%	6.3V	C4701	1-100-909-11	CERAMIC CHIP	10μF	10%	6.3V
C4569	1-100-916-11	CERAMIC CHIP	0.1μF	10%	16V	C4704	1-114-327-11	CERAMIC CHIP	1μF	10%	16V
C4570	1-164-874-11	CERAMIC CHIP	100pF	5%	50V	C4705	1-114-327-11	CERAMIC CHIP	1μF	10%	16V
C4571	1-164-874-11	CERAMIC CHIP	100pF	5%	50V	C4706	1-112-777-11	CERAMIC CHIP	0.01μF	10%	25V
C4576	1-100-909-11	CERAMIC CHIP	10μF	10%	6.3V	C4707	1-114-354-11	CAP, CERAMIC	0.1MF X7R (1410)		
C4603	1-135-366-11	ELECT CHIP	100μF	20%	16V	C4708	1-114-354-11	CAP, CERAMIC	0.1MF X7R (1410)		
C4604	1-112-777-11	CERAMIC CHIP	0.01μF	10%	25V	C4712	1-100-909-11	CERAMIC CHIP	10μF	10%	6.3V
C4607	1-100-916-11	CERAMIC CHIP	0.1μF	10%	16V	C4713	1-100-909-11	CERAMIC CHIP	10μF	10%	6.3V
C4608	1-100-916-11	CERAMIC CHIP	0.1μF	10%	16V	C4714	1-100-916-11	CERAMIC CHIP	0.1μF	10%	16V
C4609	1-100-916-11	CERAMIC CHIP	0.1μF	10%	16V	C4716	1-100-916-11	CERAMIC CHIP	0.1μF	10%	16V
C4610	1-100-916-11	CERAMIC CHIP	0.1μF	10%	16V	C4717	1-100-916-11	CERAMIC CHIP	0.1μF	10%	16V
C4611	1-100-905-11	CERAMIC CHIP	0.001μF	10%	50V	C4718	1-100-916-11	CERAMIC CHIP	0.1μF	10%	16V
C4612	1-100-916-11	CERAMIC CHIP	0.1μF	10%	16V	C4719	1-100-916-11	CERAMIC CHIP	0.1μF	10%	16V
C4613	1-100-905-11	CERAMIC CHIP	0.001μF	10%	50V	C4721	1-100-916-11	CERAMIC CHIP	0.1μF	10%	16V



FB1A
------

REF. NO.	PART NO.	DESCRIPTION	VALUES			REF. NO.	PART NO.	DESCRIPTION	VALUES		
C4723	1-100-916-11	CERAMIC CHIP	0.1μF	10%	16V	C4917	1-100-916-11	CERAMIC CHIP	0.1μF	10%	16V
C4724	1-100-916-11	CERAMIC CHIP	0.1μF	10%	16V	C4918	1-135-366-11	ELECT CHIP	100μF	20%	16V
C4725	1-100-916-11	CERAMIC CHIP	0.1μF	10%	16V	C4919	1-112-777-11	CERAMIC CHIP	0.01μF	10%	25V
C4726	1-100-916-11	CERAMIC CHIP	0.1μF	10%	16V	C4920	1-100-909-11	CERAMIC CHIP	10μF	10%	6.3V
C4727	1-164-856-81	CERAMIC CHIP	18pF	5%	50V	C4921	1-112-777-11	CERAMIC CHIP	0.01μF	10%	25V
C4728	1-164-858-11	CERAMIC CHIP	22pF	5%	50V	C4922	1-100-909-11	CERAMIC CHIP	10μF	10%	6.3V
C4729	1-100-916-11	CERAMIC CHIP	0.1μF	10%	16V	C4923	1-112-777-11	CERAMIC CHIP	0.01μF	10%	25V
C4730	1-100-916-11	CERAMIC CHIP	0.1μF	10%	16V	C4924	1-100-909-11	CERAMIC CHIP	10μF	10%	6.3V
C4731	1-100-916-11	CERAMIC CHIP	0.1μF	10%	16V	C4925	1-112-777-11	CERAMIC CHIP	0.01μF	10%	25V
C4732	1-100-916-11	CERAMIC CHIP	0.1μF	10%	16V	C4926	1-100-916-11	CERAMIC CHIP	0.1μF	10%	16V
C4733	1-100-916-11	CERAMIC CHIP	0.1μF	10%	16V	C4927	1-135-366-11	ELECT CHIP	100μF	20%	16V
C4734	1-100-905-11	CERAMIC CHIP	0.001μF	10%	50V	C4928	1-100-916-11	CERAMIC CHIP	0.1μF	10%	16V
C4735	1-164-847-11	CERAMIC CHIP	7pF	0.50pF	50V	C4929	1-112-777-11	CERAMIC CHIP	0.01μF	10%	25V
C4736	1-164-847-11	CERAMIC CHIP	7pF	0.50pF	50V	C4930	1-100-916-11	CERAMIC CHIP	0.1μF	10%	16V
C4737	1-100-916-11	CERAMIC CHIP	0.1μF	10%	16V	C4931	1-135-366-11	ELECT CHIP	100μF	20%	16V
C4738	1-135-366-11	ELECT CHIP	100μF	20%	16V	C4932	1-112-777-11	CERAMIC CHIP	0.01μF	10%	25V
C4739	1-100-916-11	CERAMIC CHIP	0.1μF	10%	16V	C4933	1-135-366-11	ELECT CHIP	100μF	20%	16V
C4740	1-164-872-11	CERAMIC CHIP	82pF	5%	50V	C4934	1-112-777-11	CERAMIC CHIP	0.01μF	10%	25V
C4741	1-114-320-11	CERAMIC CHIP	0.22μF	10%	6.3V	C4935	1-135-366-11	ELECT CHIP	100μF	20%	16V
C4742	1-100-916-11	CERAMIC CHIP	0.1μF	10%	16V	C4937	1-100-916-11	CERAMIC CHIP	0.1μF	10%	16V
C4743	1-164-874-11	CERAMIC CHIP	100pF	5%	50V	C4938	1-100-916-11	CERAMIC CHIP	0.1μF	10%	16V
C4745	1-114-354-11	CAP, CERAMIC	0.1	MF X7R (1410)		C4939	1-100-916-11	CERAMIC CHIP	0.1μF	10%	16V
C4746	1-100-916-11	CERAMIC CHIP	0.1μF	10%	16V	C4940	1-100-916-11	CERAMIC CHIP	0.1μF	10%	16V
C4747	1-114-327-11	CERAMIC CHIP	1μF	10%	16V	C4941	1-100-916-11	CERAMIC CHIP	0.1μF	10%	16V
C4748	1-100-909-11	CERAMIC CHIP	10μF	10%	6.3V	C4942	1-100-916-11	CERAMIC CHIP	0.1μF	10%	16V
C4749	1-112-777-11	CERAMIC CHIP	0.01μF	10%	25V	C4943	1-100-909-11	CERAMIC CHIP	10μF	10%	6.3V
C4750	1-114-354-11	CAP, CERAMIC	0.1	MF X7R (1410)		C4944	1-100-916-11	CERAMIC CHIP	0.1μF	10%	16V
C4751	1-114-398-21	ELECT CHIP	22μF	20%	6.3V	C4945	1-100-916-11	CERAMIC CHIP	0.1μF	10%	16V
C4900	1-100-916-11	CERAMIC CHIP	0.1μF	10%	16V	C4946	1-100-909-11	CERAMIC CHIP	10μF	10%	6.3V
C4901	1-100-916-11	CERAMIC CHIP	0.1μF	10%	16V	C4947	1-100-916-11	CERAMIC CHIP	0.1μF	10%	16V
C4902	1-100-916-11	CERAMIC CHIP	0.1μF	10%	16V	C4948	1-100-916-11	CERAMIC CHIP	0.1μF	10%	16V
C4903	1-112-777-11	CERAMIC CHIP	0.01μF	10%	25V	C4949	1-100-916-11	CERAMIC CHIP	0.1μF	10%	16V
C4904	1-135-366-11	ELECT CHIP	100μF	20%	16V	C4950	1-100-916-11	CERAMIC CHIP	0.1μF	10%	16V
C4905	1-112-777-11	CERAMIC CHIP	0.01μF	10%	25V	C4951	1-100-916-11	CERAMIC CHIP	0.1μF	10%	16V
C4906	1-135-366-11	ELECT CHIP	100μF	20%	16V	C4952	1-100-916-11	CERAMIC CHIP	0.1μF	10%	16V
C4907	1-112-777-11	CERAMIC CHIP	0.01μF	10%	25V	C4953	1-100-916-11	CERAMIC CHIP	0.1μF	10%	16V
C4908	1-135-366-11	ELECT CHIP	100μF	20%	16V	C4954	1-100-916-11	CERAMIC CHIP	0.1μF	10%	16V
C4909	1-100-916-11	CERAMIC CHIP	0.1μF	10%	16V	C4955	1-100-916-11	CERAMIC CHIP	0.1μF	10%	16V
C4910	1-100-916-11	CERAMIC CHIP	0.1μF	10%	16V	C4956	1-100-916-11	CERAMIC CHIP	0.1μF	10%	16V
C4911	1-100-909-11	CERAMIC CHIP	10μF	10%	6.3V	C4957	1-100-916-11	CERAMIC CHIP	0.1μF	10%	16V
C4912	1-114-367-11	CERAMIC CHIP	0.1μF	20%	6.3V	C4958	1-100-916-11	CERAMIC CHIP	0.1μF	10%	16V
C4913	1-112-777-11	CERAMIC CHIP	0.01μF	10%	25V	C4959	1-100-916-11	CERAMIC CHIP	0.1μF	10%	16V
C4914	1-100-909-11	CERAMIC CHIP	10μF	10%	6.3V	C4960	1-100-916-11	CERAMIC CHIP	0.1μF	10%	16V
C4915	1-114-367-11	CERAMIC CHIP	0.1μF	20%	6.3V	C4961	1-100-916-11	CERAMIC CHIP	0.1μF	10%	16V
C4916	1-112-777-11	CERAMIC CHIP	0.01μF	10%	25V	C4962	1-100-916-11	CERAMIC CHIP	0.1μF	10%	16V

FB1A
------

REF. NO.	PART NO.	DESCRIPTION	VALUES			REF. NO.	PART NO.	DESCRIPTION	VALUES		
C4963	1-100-916-11	CERAMIC CHIP	0.1μF	10%	16V	C5201	1-164-882-11	CERAMIC CHIP	220pF	5%	16V
C4964	1-100-916-11	CERAMIC CHIP	0.1μF	10%	16V	C5202	1-115-412-11	CERAMIC CHIP	680pF	5%	25V
C4966	1-100-916-11	CERAMIC CHIP	0.1μF	10%	16V	C5203	1-100-911-11	CERAMIC CHIP	4.7μF	10%	25V
C4967	1-100-916-11	CERAMIC CHIP	0.1μF	10%	16V	C5204	1-100-911-11	CERAMIC CHIP	4.7μF	10%	25V
C4969	1-100-916-11	CERAMIC CHIP	0.1μF	10%	16V	C5206	1-112-781-11	CERAMIC CHIP	1μF	10%	10V
C4970	1-100-916-11	CERAMIC CHIP	0.1μF	10%	16V	C5208	1-100-916-11	CERAMIC CHIP	0.1μF	10%	16V
C4971	1-100-916-11	CERAMIC CHIP	0.1μF	10%	16V	C5209	1-112-786-11	ELECT CHIP	330μF	20%	4V
C4972	1-100-916-11	CERAMIC CHIP	0.1μF	10%	16V	C5212	1-100-909-11	CERAMIC CHIP	10μF	10%	6.3V
C4973	1-100-916-11	CERAMIC CHIP	0.1μF	10%	16V	C5213	1-114-367-11	CERAMIC CHIP	0.1μF	20%	6.3V
C4974	1-112-777-11	CERAMIC CHIP	0.01μF	10%	25V	C5214	1-114-367-11	CERAMIC CHIP	0.1μF	20%	6.3V
C4976	1-100-916-11	CERAMIC CHIP	0.1μF	10%	16V	C5215	1-114-367-11	CERAMIC CHIP	0.1μF	20%	6.3V
C4977	1-100-916-11	CERAMIC CHIP	0.1μF	10%	16V	C5216	1-114-367-11	CERAMIC CHIP	0.1μF	20%	6.3V
C4978	1-112-777-11	CERAMIC CHIP	0.01μF	10%	25V	C5217	1-114-367-11	CERAMIC CHIP	0.1μF	20%	6.3V
C4979	1-112-777-11	CERAMIC CHIP	0.01μF	10%	25V	C5218	1-114-367-11	CERAMIC CHIP	0.1μF	20%	6.3V
C4980	1-100-909-11	CERAMIC CHIP	10μF	10%	6.3V	C5219	1-114-367-11	CERAMIC CHIP	0.1μF	20%	6.3V
C4981	1-100-909-11	CERAMIC CHIP	10μF	10%	6.3V	C5220	1-114-367-11	CERAMIC CHIP	0.1μF	20%	6.3V
C4982	1-164-850-11	CERAMIC CHIP	10pF	0.50pF	50V	C5221	1-114-367-11	CERAMIC CHIP	0.1μF	20%	6.3V
C4983	1-164-852-11	CERAMIC CHIP	12pF	5%	50V	C5222	1-114-367-11	CERAMIC CHIP	0.1μF	20%	6.3V
C4984	1-112-781-11	CERAMIC CHIP	1μF	10%	10V	C5223	1-114-367-11	CERAMIC CHIP	0.1μF	20%	6.3V
C4985	1-100-916-11	CERAMIC CHIP	0.1μF	10%	16V	C5224	1-114-367-11	CERAMIC CHIP	0.1μF	20%	6.3V
C4986	1-112-777-11	CERAMIC CHIP	0.01μF	10%	25V	C5225	1-114-367-11	CERAMIC CHIP	0.1μF	20%	6.3V
C4988	1-100-916-11	CERAMIC CHIP	0.1μF	10%	16V	C5226	1-114-367-11	CERAMIC CHIP	0.1μF	20%	6.3V
C4989	1-100-916-11	CERAMIC CHIP	0.1μF	10%	16V	C5227	1-114-367-11	CERAMIC CHIP	0.1μF	20%	6.3V
C5001	1-135-366-11	ELECT CHIP	100μF	20%	16V	C5228	1-114-367-11	CERAMIC CHIP	0.1μF	20%	6.3V
C5002	1-135-366-11	ELECT CHIP	100μF	20%	16V	C5229	1-114-367-11	CERAMIC CHIP	0.1μF	20%	6.3V
C5003	1-100-916-11	CERAMIC CHIP	0.1μF	10%	16V	C5230	1-114-367-11	CERAMIC CHIP	0.1μF	20%	6.3V
C5004	1-112-777-11	CERAMIC CHIP	0.01μF	10%	25V	C5231	1-114-367-11	CERAMIC CHIP	0.1μF	20%	6.3V
C5005	1-112-066-11	CERAMIC CHIP	10μF	10%	10V	C5232	1-114-367-11	CERAMIC CHIP	0.1μF	20%	6.3V
C5006	1-100-916-11	CERAMIC CHIP	0.1μF	10%	16V	C5233	1-100-909-11	CERAMIC CHIP	10μF	10%	6.3V
C5010	1-100-909-11	CERAMIC CHIP	10μF	10%	6.3V	C5234	1-114-367-11	CERAMIC CHIP	0.1μF	20%	6.3V
C5011	1-100-916-11	CERAMIC CHIP	0.1μF	10%	16V	C5235	1-114-367-11	CERAMIC CHIP	0.1μF	20%	6.3V
C5012	1-100-916-11	CERAMIC CHIP	0.1μF	10%	16V	C5236	1-114-367-11	CERAMIC CHIP	0.1μF	20%	6.3V
C5013	1-100-916-11	CERAMIC CHIP	0.1μF	10%	16V	C5237	1-114-367-11	CERAMIC CHIP	0.1μF	20%	6.3V
C5014	1-100-916-11	CERAMIC CHIP	0.1μF	10%	16V	C5238	1-114-367-11	CERAMIC CHIP	0.1μF	20%	6.3V
C5016	1-100-905-11	CERAMIC CHIP	0.001μF	10%	50V	C5239	1-114-130-11	CERAMIC CHIP	1μF		6.3V
C5017	1-100-905-11	CERAMIC CHIP	0.001μF	10%	50V	C5240	1-114-367-11	CERAMIC CHIP	0.1μF	20%	6.3V
C5018	1-100-905-11	CERAMIC CHIP	0.001μF	10%	50V	C5241	1-114-130-11	CERAMIC CHIP	1μF		6.3V
C5019	1-100-905-11	CERAMIC CHIP	0.001μF	10%	50V	C5242	1-114-130-11	CERAMIC CHIP	1μF		6.3V
C5020	1-135-366-11	ELECT CHIP	100μF	20%	16V	C5243	1-114-367-11	CERAMIC CHIP	0.1μF	20%	6.3V
C5021	1-112-777-11	CERAMIC CHIP	0.01μF	10%	25V	C5244	1-114-367-11	CERAMIC CHIP	0.1μF	20%	6.3V
C5025	1-100-909-11	CERAMIC CHIP	10μF	10%	6.3V	C5245	1-114-130-11	CERAMIC CHIP	1μF		6.3V
C5026	1-100-916-11	CERAMIC CHIP	0.1μF	10%	16V	C5246	1-114-367-11	CERAMIC CHIP	0.1μF	20%	6.3V
C5106	1-100-916-11	CERAMIC CHIP	0.1μF	10%	16V	C5247	1-114-367-11	CERAMIC CHIP	0.1μF	20%	6.3V
C5107	1-100-916-11	CERAMIC CHIP	0.1μF	10%	16V	C5248	1-114-130-11	CERAMIC CHIP	1μF		6.3V
C5200	1-112-779-11	CERAMIC CHIP	0.047μF	10%	25V	C5249	1-114-367-11	CERAMIC CHIP	0.1μF	20%	6.3V

FB1A
------

REF. NO.	PART NO.	DESCRIPTION	VALUES			REF. NO.	PART NO.	DESCRIPTION	VALUES		
C5250	1-114-367-11	CERAMIC CHIP	0.1μF	20%	6.3V	C5403	1-100-916-11	CERAMIC CHIP	0.1μF	10%	16V
C5251	1-114-130-11	CERAMIC CHIP	1μF		6.3V	C5404	1-100-916-11	CERAMIC CHIP	0.1μF	10%	16V
C5252	1-114-367-11	CERAMIC CHIP	0.1μF	20%	6.3V	C5409	1-100-916-11	CERAMIC CHIP	0.1μF	10%	16V
C5253	1-114-367-11	CERAMIC CHIP	0.1μF	20%	6.3V	C5410	1-100-916-11	CERAMIC CHIP	0.1μF	10%	16V
C5254	1-114-130-11	CERAMIC CHIP	1μF		6.3V	C5414	1-100-909-11	CERAMIC CHIP	10μF	10%	6.3V
C5255	1-114-367-11	CERAMIC CHIP	0.1μF	20%	6.3V	C5415	1-100-916-11	CERAMIC CHIP	0.1μF	10%	16V
C5256	1-114-367-11	CERAMIC CHIP	0.1μF	20%	6.3V	C5416	1-100-909-11	CERAMIC CHIP	10μF	10%	6.3V
C5257	1-100-909-11	CERAMIC CHIP	10μF	10%	6.3V	C5417	1-100-916-11	CERAMIC CHIP	0.1μF	10%	16V
C5258	1-114-130-11	CERAMIC CHIP	1μF		6.3V	C5418	1-100-905-11	CERAMIC CHIP	0.001μF	10%	50V
C5259	1-114-367-11	CERAMIC CHIP	0.1μF	20%	6.3V	C5419	1-100-905-11	CERAMIC CHIP	0.001μF	10%	50V
C5260	1-114-367-11	CERAMIC CHIP	0.1μF	20%	6.3V	C5420	1-100-905-11	CERAMIC CHIP	0.001μF	10%	50V
C5261	1-114-367-11	CERAMIC CHIP	0.1μF	20%	6.3V	C5421	1-100-905-11	CERAMIC CHIP	0.001μF	10%	50V
C5262	1-114-130-11	CERAMIC CHIP	1μF		6.3V	C5422	1-112-777-11	CERAMIC CHIP	0.01μF	10%	25V
C5263	1-114-367-11	CERAMIC CHIP	0.1μF	20%	6.3V	C5423	1-112-777-11	CERAMIC CHIP	0.01μF	10%	25V
C5264	1-114-367-11	CERAMIC CHIP	0.1μF	20%	6.3V	C5424	1-112-777-11	CERAMIC CHIP	0.01μF	10%	25V
C5265	1-114-367-11	CERAMIC CHIP	0.1μF	20%	6.3V	C5425	1-112-777-11	CERAMIC CHIP	0.01μF	10%	25V
C5266	1-114-130-11	CERAMIC CHIP	1μF		6.3V	C5426	1-100-905-11	CERAMIC CHIP	0.001μF	10%	50V
C5267	1-114-367-11	CERAMIC CHIP	0.1μF	20%	6.3V	C5427	1-112-777-11	CERAMIC CHIP	0.01μF	10%	25V
C5268	1-114-130-11	CERAMIC CHIP	1μF		6.3V	C5428	1-100-905-11	CERAMIC CHIP	0.001μF	10%	50V
C5269	1-114-367-11	CERAMIC CHIP	0.1μF	20%	6.3V	C5429	1-112-777-11	CERAMIC CHIP	0.01μF	10%	25V
C5270	1-100-909-11	CERAMIC CHIP	10μF	10%	6.3V	C5430	1-100-905-11	CERAMIC CHIP	0.001μF	10%	50V
C5271	1-114-130-11	CERAMIC CHIP	1μF		6.3V	C5431	1-112-777-11	CERAMIC CHIP	0.01μF	10%	25V
C5272	1-114-367-11	CERAMIC CHIP	0.1μF	20%	6.3V	C5432	1-100-905-11	CERAMIC CHIP	0.001μF	10%	50V
C5273	1-114-130-11	CERAMIC CHIP	1μF		6.3V	C5433	1-112-777-11	CERAMIC CHIP	0.01μF	10%	25V
C5274	1-114-367-11	CERAMIC CHIP	0.1μF	20%	6.3V	C5434	1-100-905-11	CERAMIC CHIP	0.001μF	10%	50V
C5275	1-114-130-11	CERAMIC CHIP	1μF		6.3V	C5435	1-112-777-11	CERAMIC CHIP	0.01μF	10%	25V
C5276	1-114-367-11	CERAMIC CHIP	0.1μF	20%	6.3V	C5436	1-100-905-11	CERAMIC CHIP	0.001μF	10%	50V
C5277	1-114-130-11	CERAMIC CHIP	1μF		6.3V	C5437	1-112-777-11	CERAMIC CHIP	0.01μF	10%	25V
C5278	1-114-367-11	CERAMIC CHIP	0.1μF	20%	6.3V	C5438	1-100-905-11	CERAMIC CHIP	0.001μF	10%	50V
C5279	1-114-130-11	CERAMIC CHIP	1μF		6.3V	C5439	1-112-777-11	CERAMIC CHIP	0.01μF	10%	25V
C5280	1-114-367-11	CERAMIC CHIP	0.1μF	20%	6.3V	C5440	1-100-905-11	CERAMIC CHIP	0.001μF	10%	50V
C5281	1-114-130-11	CERAMIC CHIP	1μF		6.3V	C5441	1-112-777-11	CERAMIC CHIP	0.01μF	10%	25V
C5282	1-114-130-11	CERAMIC CHIP	1μF		6.3V	C5442	1-100-905-11	CERAMIC CHIP	0.001μF	10%	50V
C5283	1-114-130-11	CERAMIC CHIP	1μF		6.3V	C5443	1-100-905-11	CERAMIC CHIP	0.001μF	10%	50V
C5284	1-114-130-11	CERAMIC CHIP	1μF		6.3V	C5444	1-112-777-11	CERAMIC CHIP	0.01μF	10%	25V
C5285	1-114-130-11	CERAMIC CHIP	1μF		6.3V	C5445	1-112-777-11	CERAMIC CHIP	0.01μF	10%	25V
C5286	1-100-909-11	CERAMIC CHIP	10μF	10%	6.3V	C5446	1-100-916-11	CERAMIC CHIP	0.1μF	10%	16V
C5287	1-112-066-11	CERAMIC CHIP	10μF	10%	10V	C5447	1-100-916-11	CERAMIC CHIP	0.1μF	10%	16V
C5288	1-100-909-11	CERAMIC CHIP	10μF	10%	6.3V	C5448	1-112-777-11	CERAMIC CHIP	0.01μF	10%	25V
C5289	1-114-367-11	CERAMIC CHIP	0.1μF	20%	6.3V	C5449	1-112-777-11	CERAMIC CHIP	0.01μF	10%	25V
C5290	1-114-343-11	ELECT CHIP	100μF	20%	6.3V	C5450	1-100-905-11	CERAMIC CHIP	0.001μF	10%	50V
C5291	1-100-916-11	CERAMIC CHIP	0.1μF	10%	16V	C5451	1-100-905-11	CERAMIC CHIP	0.001μF	10%	50V
C5400	1-100-916-11	CERAMIC CHIP	0.1μF	10%	16V	C5454	1-100-916-11	CERAMIC CHIP	0.1μF	10%	16V
C5401	1-100-916-11	CERAMIC CHIP	0.1μF	10%	16V	C5455	1-100-909-11	CERAMIC CHIP	10μF	10%	6.3V
C5402	1-100-916-11	CERAMIC CHIP	0.1μF	10%	16V	C5458	1-112-779-11	CERAMIC CHIP	0.047μF	10%	25V









**FB1A**

REF. NO.	PART NO.	DESCRIPTION	VALUES	REF. NO.	PART NO.	DESCRIPTION	VALUES
	<b>IC</b>			IC4705	8-759-592-49	IC	TC7SZ125FU(TE85R)
IC2000	6-711-624-01	IC	UPD61162F1-RNA-A-U	IC4706	6-703-175-01	IC	PST3629UL
IC2100	6-807-439-01	IC	7PRC0-EPM3064ATC44-10N	IC4707	6-707-281-01	IC	MM1613DNLE
IC2101	6-702-913-01	IC	S-80929CNMC-G8ZT2G	IC4900	8-753-278-14	IC	CXD4716GB
IC2102	6-702-913-01	IC	S-80929CNMC-G8ZT2G	IC4901	6-711-289-01	IC	IDT6V40006APGGI
IC2103	6-706-492-01	IC	TC7SHU04FU(T5RSOJF)	IC4903	6-702-436-01	IC	AD8061ARTZ-REEL7
IC2105	6-702-913-01	IC	S-80929CNMC-G8ZT2G	IC5102	6-703-181-01	IC	TC74VCX74FT(EL)
IC2108	6-704-099-01	IC	TC7WZ08FK(TE85R)	IC5103	6-703-238-01	IC	TC7WZ34FK(TE85R)
IC2109	6-709-743-01	IC	TC7WBD125AFK (T5L.F)	IC5200	6-710-949-01	IC	SN0608006PWPR
IC2110	6-706-489-01	IC	TC7SH32FU(T5RSOYJF)	IC5201	6-711-261-01	IC	HYB18TC256160AF-3S
IC2300	6-807-555-01	IC	MBM29LV200TC-90pFTN-M2.001C	IC5203	6-711-261-01	IC	HYB18TC256160AF-3S
IC2304	6-706-487-01	IC	TC7SH08FU(T5RSOYJF)	IC5204	6-706-478-01	IC	TC7SET08FU(T5RSOJF)
IC2501	6-710-270-11	IC	EDE5116AHSE-6E-E-TR	IC5400	6-707-897-01	IC	EDS6416AHTA-75-E
IC2502	6-710-270-11	IC	EDE5116AHSE-6E-E-TR	IC5401	6-708-219-01	IC	MB91305PMC-G-BNDE1
IC2703	6-711-194-01	IC	TC7MBL3244AFK (EL)	IC5403	6-704-566-01	IC	R3112N291A-TR-FA
IC2900	6-706-130-11	IC	UPD720101GJ-UEN-E2-A	IC5405	6-701-185-01	IC	MC74VHC1G125DFT1
IC3300	6-710-949-01	IC	SN0608006PWPR	IC5700	6-708-603-01	IC	PQ070XNA1ZPH
IC3301	6-711-145-01	IC	TPS51124RGER	IC5701	6-708-603-01	IC	PQ070XNA1ZPH
IC3302	6-710-941-01	IC	MM3141ZNRE(1.07V)	IC5900	6-704-600-01	IC	M24C02-WMN6T(B)
IC3303	6-708-762-01	IC	PQ200WNA1ZPH				
IC3307	6-708-762-01	IC	PQ200WNA1ZPH				
IC4000	8-759-592-49	IC	TC7SZ125FU(TE85R)				
IC4001	8-759-700-07	IC	NJM2903M	L2900	1-457-223-11	INDUCTOR	0μH
IC4002	6-708-762-01	IC	PQ200WNA1ZPH	L3300	1-481-246-11	INDUCTOR	2.2μH
IC4003	8-752-072-94	IC	CXA1875AM-T4	L3301	1-481-257-11	INDUCTOR	4.7μH
IC4100	8-753-272-40	IC	CXA3738N-T4	L3304	1-481-246-11	INDUCTOR	2.2μH
IC4102	6-709-703-01	IC	MM3141JNRE	L4101	1-457-247-21	INDUCTOR	4.7μH
IC4103	6-710-080-01	IC	MM3292FNRE	L4104	1-424-918-21	INDUCTOR	10μH
IC4105	8-753-272-40	IC	CXA3738N-T4	L4105	1-419-491-21	INDUCTOR	10μH
IC4300	6-704-600-01	IC	M24C02-WMN6T(B)	L4600	1-469-555-21	INDUCTOR	10μH
IC4301	6-704-600-01	IC	M24C02-WMN6T(B)	L4700	1-469-555-21	INDUCTOR	10μH
IC4305	8-759-680-47	IC	TC7MB3253FK(EL)	L4701	1-469-555-21	INDUCTOR	10μH
IC4313	8-753-282-08	IC	CXB1444R-T6	L4702	1-469-555-21	INDUCTOR	10μH
IC4315	6-711-332-01	IC	TC7SG17FU(TE87R,F)	L4704	1-469-555-21	INDUCTOR	10μH
IC4601	6-707-739-01	IC	MM1661JTRE	L4705	1-469-555-21	INDUCTOR	10μH
IC4602	6-711-220-01	IC	THC7981-17	L4900	1-469-555-21	INDUCTOR	10μH
IC4603	6-709-703-01	IC	MM3141JNRE	L4901	1-469-555-21	INDUCTOR	10μH
IC4604	6-704-600-01	IC	M24C02-WMN6T(B)	L4902	1-469-555-21	INDUCTOR	10μH
IC4700	6-709-901-01	IC	MM3121JPLE	L4906	1-469-549-21	INDUCTOR	1μH
IC4701	6-705-373-01	IC	MM3123DPLE	L4907	1-469-555-21	INDUCTOR	10μH
IC4702	6-704-607-01	IC	M24C16-WMN6T(B)	L5200	1-481-246-11	INDUCTOR	2.2μH
IC4703	6-807-553-01	IC	MB91F314APMC-G-101E1	L5600	1-456-583-11	INDUCTOR	0μH
IC4704	8-759-592-49	IC	TC7SZ125FU(TE85R)				



**FB1A**

REF. NO.	PART NO.	DESCRIPTION	VALUES			REF. NO.	PART NO.	DESCRIPTION	VALUES		
<b>RESISTOR</b>						R2350	1-218-989-11	RES-CHIP	1M	5%	1/16W
R2100	1-208-703-11	METAL CHIP	6.8K	0.50%	1/16W	R2352	1-218-953-11	RES-CHIP	1K	5%	1/16W
R2101	1-208-695-11	METAL CHIP	3.3K	0.50%	1/16W	R2367	1-218-990-81	SHORT CHIP			
R2102	1-208-935-11	METAL CHIP	100K	0.50%	1/16W	R2369	1-218-965-11	RES-CHIP	10K	5%	1/16W
R2103	1-208-695-11	METAL CHIP	3.3K	0.50%	1/16W	R2371	1-218-965-11	RES-CHIP	10K	5%	1/16W
R2104	1-208-709-11	METAL CHIP	12K	0.50%	1/16W	R2372	1-218-961-11	RES-CHIP	4.7K	5%	1/16W
R2105	1-208-699-11	METAL CHIP	4.7K	0.50%	1/16W	R2373	1-218-965-11	RES-CHIP	10K	5%	1/16W
R2106	1-218-961-11	RES-CHIP	4.7K	5%	1/16W	R2374	1-218-990-81	SHORT CHIP			
R2107	1-218-965-11	RES-CHIP	10K	5%	1/16W	R2503	1-218-935-11	RES-CHIP	33	5%	1/16W
R2108	1-218-961-11	RES-CHIP	4.7K	5%	1/16W	R2504	1-208-663-11	METAL CHIP	150	0.50%	1/16W
R2109	1-218-965-11	RES-CHIP	10K	5%	1/16W	R2505	1-208-663-11	METAL CHIP	150	0.50%	1/16W
R2110	1-218-961-11	RES-CHIP	4.7K	5%	1/16W	R2508	1-218-933-11	RES-CHIP	22	5%	1/16W
R2114	1-218-977-11	RES-CHIP	100K	5%	1/16W	R2509	1-218-933-11	RES-CHIP	22	5%	1/16W
R2116	1-218-977-11	RES-CHIP	100K	5%	1/16W	R2510	1-218-933-11	RES-CHIP	22	5%	1/16W
R2118	1-218-989-11	RES-CHIP	1M	5%	1/16W	R2511	1-218-933-11	RES-CHIP	22	5%	1/16W
R2120	1-208-687-11	METAL CHIP	1.5K	0.50%	1/16W	R2512	1-218-933-11	RES-CHIP	22	5%	1/16W
R2145	1-218-937-11	RES-CHIP	47	5%	1/16W	R2513	1-218-933-11	RES-CHIP	22	5%	1/16W
R2163	1-218-965-11	RES-CHIP	10K	5%	1/16W	R2514	1-218-933-11	RES-CHIP	22	5%	1/16W
R2200	1-218-937-11	RES-CHIP	47	5%	1/16W	R2519	1-218-943-11	RES-CHIP	150	5%	1/16W
R2201	1-218-953-11	RES-CHIP	1K	5%	1/16W	R2520	1-218-943-11	RES-CHIP	150	5%	1/16W
R2205	1-218-941-81	RES-CHIP	100	5%	1/16W	R2704	1-218-935-11	RES-CHIP	33	5%	1/16W
R2207	1-218-937-11	RES-CHIP	47	5%	1/16W	R2705	1-218-990-81	SHORT CHIP			
R2208	1-218-952-11	RES-CHIP	820	5%	1/16W	R2706	1-218-990-81	SHORT CHIP			
R2209	1-218-937-11	RES-CHIP	47	5%	1/16W	R2707	1-218-990-81	SHORT CHIP			
R2215	1-218-965-11	RES-CHIP	10K	5%	1/16W	R2721	1-218-990-81	SHORT CHIP			
R2216	1-218-965-11	RES-CHIP	10K	5%	1/16W	R2722	1-218-990-81	SHORT CHIP			
R2219	1-218-937-11	RES-CHIP	47	5%	1/16W	R2723	1-218-990-81	SHORT CHIP			
R2220	1-218-937-11	RES-CHIP	47	5%	1/16W	R2731	1-218-990-81	SHORT CHIP			
R2225	1-218-990-81	SHORT CHIP				R2735	1-218-990-81	SHORT CHIP			
R2228	1-218-990-81	SHORT CHIP				R2761	1-218-949-11	RES-CHIP	470	5%	1/16W
R2229	1-218-990-81	SHORT CHIP				R2769	1-218-933-11	RES-CHIP	22	5%	1/16W
R2230	1-218-977-11	RES-CHIP	100K	5%	1/16W	R2786	1-218-937-11	RES-CHIP	47	5%	1/16W
R2231	1-208-687-11	METAL CHIP	1.5K	0.50%	1/16W	R2793	1-218-937-11	RES-CHIP	47	5%	1/16W
R2232	1-208-687-11	METAL CHIP	1.5K	0.50%	1/16W	R2805	1-218-933-11	RES-CHIP	22	5%	1/16W
R2233	1-218-933-11	RES-CHIP	22	5%	1/16W	R2819	1-218-965-11	RES-CHIP	10K	5%	1/16W
R2300	1-218-947-11	RES-CHIP	330	5%	1/16W	R2821	1-218-937-11	RES-CHIP	47	5%	1/16W
R2305	1-218-977-11	RES-CHIP	100K	5%	1/16W	R2823	1-218-937-11	RES-CHIP	47	5%	1/16W
R2307	1-218-977-11	RES-CHIP	100K	5%	1/16W	R2824	1-218-937-11	RES-CHIP	47	5%	1/16W
R2308	1-218-965-11	RES-CHIP	10K	5%	1/16W	R2825	1-218-937-11	RES-CHIP	47	5%	1/16W
R2311	1-218-977-11	RES-CHIP	100K	5%	1/16W	R2829	1-218-965-11	RES-CHIP	10K	5%	1/16W
R2315	1-218-977-11	RES-CHIP	100K	5%	1/16W	R2831	1-216-864-11	SHORT CHIP			
R2316	1-218-977-11	RES-CHIP	100K	5%	1/16W	R2850	1-218-933-11	RES-CHIP	22	5%	1/16W
R2349	1-218-965-11	RES-CHIP	10K	5%	1/16W	R2900	1-218-945-11	RES-CHIP	220	5%	1/16W

FB1A
------

REF. NO.	PART NO.	DESCRIPTION	VALUES			REF. NO.	PART NO.	DESCRIPTION	VALUES		
R2914	1-218-937-11	RES-CHIP	47	5%	1/16W	R4003	1-218-957-11	RES-CHIP	2.2K	5%	1/16W
R2915	1-218-937-11	RES-CHIP	47	5%	1/16W	R4004	1-218-965-11	RES-CHIP	10K	5%	1/16W
R2916	1-218-937-11	RES-CHIP	47	5%	1/16W	R4005	1-218-965-11	RES-CHIP	10K	5%	1/16W
R2930	1-218-941-81	RES-CHIP	100	5%	1/16W	R4007	1-218-962-11	RES-CHIP	5.6K	5%	1/16W
R2941	1-208-911-11	METAL CHIP	10K	0.50%	1/16W	R4009	1-218-965-11	RES-CHIP	10K	5%	1/16W
R2942	1-208-935-11	METAL CHIP	100K	0.50%	1/16W	R4010	1-218-977-11	RES-CHIP	100K	5%	1/16W
R2952	1-220-884-81	METAL CHIP	39	0.50%	1/16W	R4011	1-218-965-11	RES-CHIP	10K	5%	1/16W
R2953	1-208-675-11	METAL CHIP	470	0.50%	1/16W	R4012	1-218-973-11	RES-CHIP	47K	5%	1/16W
R2954	1-208-675-11	METAL CHIP	470	0.50%	1/16W	R4013	1-218-941-81	RES-CHIP	100	5%	1/16W
R2955	1-220-884-81	METAL CHIP	39	0.50%	1/16W	R4014	1-208-927-11	METAL CHIP	47K	0.50%	1/16W
R2956	1-208-711-11	METAL CHIP	15K	0.50%	1/16W	R4015	1-208-927-11	METAL CHIP	47K	0.50%	1/16W
R2957	1-208-711-11	METAL CHIP	15K	0.50%	1/16W	R4016	1-218-990-81	SHORT CHIP			
R2961	1-218-961-11	RES-CHIP	4.7K	5%	1/16W	R4017	1-218-965-11	RES-CHIP	10K	5%	1/16W
R2966	1-218-961-11	RES-CHIP	4.7K	5%	1/16W	R4018	1-208-927-11	METAL CHIP	47K	0.50%	1/16W
R3304	1-218-953-11	RES-CHIP	1K	5%	1/16W	R4019	1-218-953-11	RES-CHIP	1K	5%	1/16W
R3305	1-208-711-11	METAL CHIP	15K	0.50%	1/16W	R4021	1-218-959-11	RES-CHIP	3.3K	5%	1/16W
R3309	1-218-965-11	RES-CHIP	10K	5%	1/16W	R4022	1-218-961-11	RES-CHIP	4.7K	5%	1/16W
R3310	1-218-965-11	RES-CHIP	10K	5%	1/16W	R4023	1-208-699-11	METAL CHIP	4.7K	0.50%	1/16W
R3311	1-216-864-11	SHORT CHIP				R4024	1-208-683-11	METAL CHIP	1K	0.50%	1/16W
R3323	1-218-990-81	SHORT CHIP				R4025	1-218-990-81	SHORT CHIP			
R3324	1-218-990-81	SHORT CHIP				R4026	1-218-973-11	RES-CHIP	47K	5%	1/16W
R3325	1-208-677-11	METAL CHIP	560	0.50%	1/16W	R4027	1-218-973-11	RES-CHIP	47K	5%	1/16W
R3326	1-208-923-11	METAL CHIP	33K	0.50%	1/16W	R4028	1-208-885-11	METAL CHIP	820	0.50%	1/16W
R3331	1-208-911-11	METAL CHIP	10K	0.50%	1/16W	R4029	1-208-703-11	METAL CHIP	6.8K	0.50%	1/16W
R3333	1-218-965-11	RES-CHIP	10K	5%	1/16W	R4031	1-218-965-11	RES-CHIP	10K	5%	1/16W
R3334	1-216-791-11	METAL CHIP	3.3	5%	1/10W	R4032	1-218-990-81	SHORT CHIP			
R3335	1-208-699-11	METAL CHIP	4.7K	0.50%	1/16W	R4033	1-218-990-81	SHORT CHIP			
R3337	1-208-911-11	METAL CHIP	10K	0.50%	1/16W	R4034	1-208-713-11	METAL CHIP	18K	0.50%	1/16W
R3338	1-218-965-11	RES-CHIP	10K	5%	1/16W	R4035	1-208-911-11	METAL CHIP	10K	0.50%	1/16W
R3339	1-208-677-11	METAL CHIP	560	0.50%	1/16W	R4036	1-218-941-81	RES-CHIP	100	5%	1/16W
R3341	1-218-990-81	SHORT CHIP				R4038	1-218-941-81	RES-CHIP	100	5%	1/16W
R3342	1-218-990-81	SHORT CHIP				R4039	1-218-953-11	RES-CHIP	1K	5%	1/16W
R3343	1-208-695-11	METAL CHIP	3.3K	0.50%	1/16W	R4040	1-218-965-11	RES-CHIP	10K	5%	1/16W
R3344	1-218-953-11	RES-CHIP	1K	5%	1/16W	R4041	1-208-911-11	METAL CHIP	10K	0.50%	1/16W
R3346	1-218-941-11	RES-CHIP	100	5%	1/16W	R4042	1-218-965-11	RES-CHIP	10K	5%	1/16W
R3351	1-218-990-81	SHORT CHIP				R4043	1-218-941-81	RES-CHIP	100	5%	1/16W
R3354	1-208-643-11	METAL CHIP	22	0.50%	1/16W	R4044	1-218-953-11	RES-CHIP	1K	5%	1/16W
R3355	1-208-675-11	METAL CHIP	470	0.50%	1/16W	R4045	1-218-965-11	RES-CHIP	10K	5%	1/16W
R3356	1-208-894-81	METAL CHIP	2K	0.50%	1/16W	R4046	1-218-990-81	SHORT CHIP			
R3359	1-218-990-81	SHORT CHIP				R4100	1-208-711-11	METAL CHIP	15K	0.50%	1/16W
R3360	1-208-893-11	METAL CHIP	1.8K	0.50%	1/16W	R4102	1-218-990-81	SHORT CHIP			
R3361	1-208-894-81	METAL CHIP	2K	0.50%	1/16W	R4103	1-218-990-81	SHORT CHIP			
R3362	1-218-990-81	SHORT CHIP				R4104	1-208-943-11	METAL CHIP	220K	0.50%	1/16W
R3365	1-218-990-81	SHORT CHIP				R4105	1-208-943-11	METAL CHIP	220K	0.50%	1/16W
R4002	1-218-965-11	RES-CHIP	10K	5%	1/16W	R4106	1-218-990-81	SHORT CHIP			



**FB1A**

REF. NO.	PART NO.	DESCRIPTION	VALUES			REF. NO.	PART NO.	DESCRIPTION	VALUES		
R4112	1-208-703-11	METAL CHIP	6.8K	0.50%	1/16W	R4317	1-218-929-11	RES-CHIP	10	5%	1/16W
R4117	1-218-990-81	SHORT CHIP				R4318	1-208-683-11	METAL CHIP	1K	0.50%	1/16W
R4121	1-218-990-81	SHORT CHIP				R4319	1-208-683-11	METAL CHIP	1K	0.50%	1/16W
R4122	1-208-909-11	METAL CHIP	8.2K	0.50%	1/16W	R4329	1-218-990-81	SHORT CHIP			
R4127	1-218-990-81	SHORT CHIP				R4331	1-218-990-81	SHORT CHIP			
R4129	1-218-965-11	RES-CHIP	10K	5%	1/16W	R4332	1-208-889-11	METAL CHIP	1.2K	0.50%	1/16W
R4135	1-218-990-81	SHORT CHIP				R4333	1-208-869-11	METAL CHIP	180	0.50%	1/16W
R4138	1-218-990-81	SHORT CHIP				R4334	1-208-683-11	METAL CHIP	1K	0.50%	1/16W
R4148	1-218-990-81	SHORT CHIP				R4336	1-208-889-11	METAL CHIP	1.2K	0.50%	1/16W
R4160	1-208-711-11	METAL CHIP	15K	0.50%	1/16W	R4339	1-218-990-81	SHORT CHIP			
R4161	1-218-990-81	SHORT CHIP				R4341	1-208-691-11	METAL CHIP	2.2K	0.50%	1/16W
R4162	1-218-978-11	RES-CHIP	120K	5%	1/16W	R4343	1-218-990-81	SHORT CHIP			
R4163	1-208-929-81	METAL CHIP	56K	0.50%	1/16W	R4345	1-218-973-11	RES-CHIP	47K	5%	1/16W
R4164	1-208-721-11	METAL CHIP	39K	0.50%	1/16W	R4346	1-218-990-81	SHORT CHIP			
R4165	1-218-990-81	SHORT CHIP				R4347	1-218-990-81	SHORT CHIP			
R4166	1-208-715-11	METAL CHIP	22K	0.50%	1/16W	R4348	1-218-990-81	SHORT CHIP			
R4168	1-218-990-81	SHORT CHIP				R4349	1-218-990-81	SHORT CHIP			
R4169	1-218-990-81	SHORT CHIP				R4350	1-218-990-81	SHORT CHIP			
R4170	1-218-990-81	SHORT CHIP				R4351	1-218-990-81	SHORT CHIP			
R4171	1-218-990-81	SHORT CHIP				R4352	1-218-990-81	SHORT CHIP			
R4172	1-208-911-11	METAL CHIP	10K	0.50%	1/16W	R4353	1-218-990-81	SHORT CHIP			
R4178	1-218-965-11	RES-CHIP	10K	5%	1/16W	R4354	1-218-990-81	SHORT CHIP			
R4184	1-208-715-11	METAL CHIP	22K	0.50%	1/16W	R4355	1-218-990-81	SHORT CHIP			
R4185	1-218-990-81	SHORT CHIP				R4356	1-218-990-81	SHORT CHIP			
R4186	1-218-978-11	RES-CHIP	120K	5%	1/16W	R4357	1-218-990-81	SHORT CHIP			
R4187	1-218-978-11	RES-CHIP	120K	5%	1/16W	R4358	1-218-990-81	SHORT CHIP			
R4188	1-218-978-11	RES-CHIP	120K	5%	1/16W	R4359	1-218-990-81	SHORT CHIP			
R4189	1-208-711-11	METAL CHIP	15K	0.50%	1/16W	R4360	1-218-990-81	SHORT CHIP			
R4201	1-218-965-11	RES-CHIP	10K	5%	1/16W	R4361	1-218-990-81	SHORT CHIP			
R4202	1-218-953-11	RES-CHIP	1K	5%	1/16W	R4362	1-208-691-11	METAL CHIP	2.2K	0.50%	1/16W
R4206	1-216-864-11	SHORT CHIP				R4363	1-218-990-81	SHORT CHIP			
R4207	1-216-864-11	SHORT CHIP				R4364	1-218-990-81	SHORT CHIP			
R4301	1-218-990-81	SHORT CHIP				R4365	1-208-691-11	METAL CHIP	2.2K	0.50%	1/16W
R4302	1-218-990-81	SHORT CHIP				R4366	1-218-961-11	RES-CHIP	4.7K	5%	1/16W
R4303	1-208-691-11	METAL CHIP	2.2K	0.50%	1/16W	R4367	1-218-973-11	RES-CHIP	47K	5%	1/16W
R4304	1-208-691-11	METAL CHIP	2.2K	0.50%	1/16W	R4368	1-218-973-11	RES-CHIP	47K	5%	1/16W
R4306	1-218-990-81	SHORT CHIP				R4369	1-218-961-11	RES-CHIP	4.7K	5%	1/16W
R4307	1-218-990-81	SHORT CHIP				R4370	1-218-973-11	RES-CHIP	47K	5%	1/16W
R4308	1-218-990-81	SHORT CHIP				R4371	1-218-990-81	SHORT CHIP			
R4309	1-218-990-81	SHORT CHIP				R4372	1-208-699-11	METAL CHIP	4.7K	0.50%	1/16W
R4310	1-218-990-81	SHORT CHIP				R4374	1-218-990-81	SHORT CHIP			
R4311	1-218-990-81	SHORT CHIP				R4410	1-218-990-81	SHORT CHIP			
R4312	1-218-990-81	SHORT CHIP				R4411	1-218-990-81	SHORT CHIP			
R4313	1-218-990-81	SHORT CHIP				R4412	1-218-990-81	SHORT CHIP			
R4316	1-218-929-11	RES-CHIP	10	5%	1/16W	R4413	1-218-990-81	SHORT CHIP			

FB1A
------

REF. NO.	PART NO.	DESCRIPTION	VALUES			REF. NO.	PART NO.	DESCRIPTION	VALUES		
R4414	1-218-990-81	SHORT CHIP				R4602	1-208-675-11	METAL CHIP	470	0.50%	1/16W
R4415	1-218-990-81	SHORT CHIP				R4603	1-218-990-81	SHORT CHIP			
R4416	1-218-990-81	SHORT CHIP				R4604	1-218-990-81	SHORT CHIP			
R4417	1-218-990-81	SHORT CHIP				R4605	1-218-990-81	SHORT CHIP			
R4418	1-218-990-81	SHORT CHIP				R4606	1-208-677-11	METAL CHIP	560	0.50%	1/16W
R4419	1-218-990-81	SHORT CHIP				R4607	1-208-677-11	METAL CHIP	560	0.50%	1/16W
R4424	1-218-990-81	SHORT CHIP				R4608	1-208-677-11	METAL CHIP	560	0.50%	1/16W
R4428	1-208-923-11	METAL CHIP	33K	0.50%	1/16W	R4609	1-208-861-81	METAL CHIP	82	0.50%	1/16W
R4432	1-216-864-11	SHORT CHIP				R4610	1-208-861-81	METAL CHIP	82	0.50%	1/16W
R4433	1-208-939-11	METAL CHIP	150K	0.50%	1/16W	R4611	1-208-861-81	METAL CHIP	82	0.50%	1/16W
R4456	1-218-990-81	SHORT CHIP				R4618	1-218-835-11	METAL CHIP	330	0.50%	1/10W
R4458	1-218-990-81	SHORT CHIP				R4619	1-218-929-11	RES-CHIP	10	5%	1/16W
R4462	1-218-941-81	RES-CHIP	100	5%	1/16W	R4620	1-218-835-11	METAL CHIP	330	0.50%	1/10W
R4463	1-218-941-81	RES-CHIP	100	5%	1/16W	R4621	1-218-937-11	RES-CHIP	47	5%	1/16W
R4497	1-218-953-11	RES-CHIP	1K	5%	1/16W	R4622	1-218-835-11	METAL CHIP	330	0.50%	1/10W
R4498	1-208-691-11	METAL CHIP	2.2K	0.50%	1/16W	R4623	1-218-937-11	RES-CHIP	47	5%	1/16W
R4499	1-218-989-11	RES-CHIP	1M	5%	1/16W	R4628	1-216-815-11	METAL CHIP	330	5%	1/10W
R4500	1-218-973-11	RES-CHIP	47K	5%	1/16W	R4629	1-216-815-11	METAL CHIP	330	5%	1/10W
R4502	1-218-990-81	SHORT CHIP				R4630	1-216-815-11	METAL CHIP	330	5%	1/10W
R4503	1-218-939-11	RES-CHIP	68	5%	1/16W	R4631	1-216-815-11	METAL CHIP	330	5%	1/10W
R4505	1-218-937-11	RES-CHIP	47	5%	1/16W	R4632	1-218-990-81	SHORT CHIP			
R4506	1-218-937-11	RES-CHIP	47	5%	1/16W	R4633	1-218-990-81	SHORT CHIP			
R4508	1-218-937-11	RES-CHIP	47	5%	1/16W	R4634	1-218-990-81	SHORT CHIP			
R4509	1-218-937-11	RES-CHIP	47	5%	1/16W	R4635	1-218-990-81	SHORT CHIP			
R4511	1-218-937-11	RES-CHIP	47	5%	1/16W	R4636	1-218-990-81	SHORT CHIP			
R4512	1-218-937-11	RES-CHIP	47	5%	1/16W	R4637	1-218-990-81	SHORT CHIP			
R4513	1-218-937-11	RES-CHIP	47	5%	1/16W	R4640	1-218-990-81	SHORT CHIP			
R4514	1-218-937-11	RES-CHIP	47	5%	1/16W	R4641	1-218-965-11	RES-CHIP	10K	5%	1/16W
R4515	1-218-933-11	RES-CHIP	22	5%	1/16W	R4642	1-218-941-81	RES-CHIP	100	5%	1/16W
R4520	1-218-933-11	RES-CHIP	22	5%	1/16W	R4644	1-218-990-81	SHORT CHIP			
R4523	1-218-990-81	SHORT CHIP				R4646	1-218-937-11	RES-CHIP	47	5%	1/16W
R4524	1-218-990-81	SHORT CHIP				R4648	1-218-937-11	RES-CHIP	47	5%	1/16W
R4525	1-218-961-11	RES-CHIP	4.7K	5%	1/16W	R4649	1-218-937-11	RES-CHIP	47	5%	1/16W
R4527	1-218-965-11	RES-CHIP	10K	5%	1/16W	R4652	1-218-937-11	RES-CHIP	47	5%	1/16W
R4534	1-216-864-11	SHORT CHIP				R4654	1-218-965-11	RES-CHIP	10K	5%	1/16W
R4535	1-218-973-11	RES-CHIP	47K	5%	1/16W	R4660	1-208-691-11	METAL CHIP	2.2K	0.50%	1/16W
R4536	1-218-973-11	RES-CHIP	47K	5%	1/16W	R4662	1-218-937-11	RES-CHIP	47	5%	1/16W
R4538	1-216-864-11	SHORT CHIP				R4676	1-218-990-81	SHORT CHIP			
R4539	1-218-990-81	SHORT CHIP				R4677	1-218-990-81	SHORT CHIP			
R4542	1-218-973-11	RES-CHIP	47K	5%	1/16W	R4678	1-218-990-81	SHORT CHIP			
R4597	1-218-935-11	RES-CHIP	33	5%	1/16W	R4684	1-208-691-11	METAL CHIP	2.2K	0.50%	1/16W
R4598	1-218-939-11	RES-CHIP	68	5%	1/16W	R4685	1-208-691-11	METAL CHIP	2.2K	0.50%	1/16W
R4599	1-218-939-11	RES-CHIP	68	5%	1/16W	R4692	1-208-699-11	METAL CHIP	4.7K	0.50%	1/16W
R4600	1-208-675-11	METAL CHIP	470	0.50%	1/16W	R4693	1-218-941-11	RES-CHIP	100	5%	1/16W
R4601	1-208-675-11	METAL CHIP	470	0.50%	1/16W	R4696	1-218-933-11	RES-CHIP	22	5%	1/16W

FB1A
------

REF. NO.	PART NO.	DESCRIPTION	VALUES			REF. NO.	PART NO.	DESCRIPTION	VALUES		
R4701	1-218-965-11	RES-CHIP	10K	5%	1/16W	R4756	1-245-604-11	METAL CHIP	10M	5%	1/16W
R4702	1-218-977-11	RES-CHIP	100K	5%	1/16W	R4757	1-218-990-81	SHORT CHIP			
R4703	1-218-965-11	RES-CHIP	10K	5%	1/16W	R4758	1-218-965-11	RES-CHIP	10K	5%	1/16W
R4704	1-218-965-11	RES-CHIP	10K	5%	1/16W	R4759	1-218-990-81	SHORT CHIP			
R4707	1-218-953-11	RES-CHIP	1K	5%	1/16W	R4760	1-218-953-11	RES-CHIP	1K	5%	1/16W
R4708	1-218-990-81	SHORT CHIP				R4761	1-208-943-11	METAL CHIP	220K	0.50%	1/16W
R4709	1-218-965-11	RES-CHIP	10K	5%	1/16W	R4762	1-218-989-11	RES-CHIP	1M	5%	1/16W
R4710	1-218-937-11	RES-CHIP	47	5%	1/16W	R4763	1-218-990-81	SHORT CHIP			
R4712	1-218-990-81	SHORT CHIP				R4765	1-218-965-11	RES-CHIP	10K	5%	1/16W
R4713	1-218-965-11	RES-CHIP	10K	5%	1/16W	R4767	1-208-677-11	METAL CHIP	560	0.50%	1/16W
R4714	1-218-990-81	SHORT CHIP				R4768	1-218-990-81	SHORT CHIP			
R4715	1-218-965-11	RES-CHIP	10K	5%	1/16W	R4769	1-218-959-11	RES-CHIP	3.3K	5%	1/16W
R4718	1-218-953-11	RES-CHIP	1K	5%	1/16W	R4770	1-218-990-81	SHORT CHIP			
R4720	1-218-977-11	RES-CHIP	100K	5%	1/16W	R4772	1-208-911-11	METAL CHIP	10K	0.50%	1/16W
R4721	1-218-977-11	RES-CHIP	100K	5%	1/16W	R4773	1-208-869-11	METAL CHIP	180	0.50%	1/16W
R4722	1-218-953-11	RES-CHIP	1K	5%	1/16W	R4774	1-218-965-11	RES-CHIP	10K	5%	1/16W
R4724	1-218-965-11	RES-CHIP	10K	5%	1/16W	R4777	1-208-671-11	METAL CHIP	330	0.50%	1/16W
R4725	1-218-977-11	RES-CHIP	100K	5%	1/16W	R4778	1-208-699-11	METAL CHIP	4.7K	0.50%	1/16W
R4726	1-218-965-11	RES-CHIP	10K	5%	1/16W	R4779	1-218-990-81	SHORT CHIP			
R4728	1-218-953-11	RES-CHIP	1K	5%	1/16W	R4780	1-218-990-81	SHORT CHIP			
R4730	1-218-949-11	RES-CHIP	470	5%	1/16W	R4781	1-208-683-11	METAL CHIP	1K	0.50%	1/16W
R4731	1-218-937-11	RES-CHIP	47	5%	1/16W	R4783	1-208-647-11	METAL CHIP	33	0.50%	1/16W
R4732	1-218-937-11	RES-CHIP	47	5%	1/16W	R4784	1-218-953-11	RES-CHIP	1K	5%	1/16W
R4733	1-218-965-11	RES-CHIP	10K	5%	1/16W	R4785	1-218-957-11	RES-CHIP	2.2K	5%	1/16W
R4734	1-218-965-11	RES-CHIP	10K	5%	1/16W	R4786	1-218-937-11	RES-CHIP	47	5%	1/16W
R4735	1-218-953-11	RES-CHIP	1K	5%	1/16W	R4787	1-218-990-81	SHORT CHIP			
R4736	1-218-965-11	RES-CHIP	10K	5%	1/16W	R4789	1-218-977-11	RES-CHIP	100K	5%	1/16W
R4737	1-218-941-81	RES-CHIP	100	5%	1/16W	R4790	1-218-957-11	RES-CHIP	2.2K	5%	1/16W
R4738	1-218-953-11	RES-CHIP	1K	5%	1/16W	R4791	1-218-990-81	SHORT CHIP			
R4739	1-218-965-11	RES-CHIP	10K	5%	1/16W	R4792	1-218-990-81	SHORT CHIP			
R4740	1-218-965-11	RES-CHIP	10K	5%	1/16W	R4793	1-218-990-81	SHORT CHIP			
R4741	1-218-953-11	RES-CHIP	1K	5%	1/16W	R4903	1-218-935-11	RES-CHIP	33	5%	1/16W
R4742	1-218-949-11	RES-CHIP	470	5%	1/16W	R4904	1-218-953-11	RES-CHIP	1K	5%	1/16W
R4743	1-218-965-11	RES-CHIP	10K	5%	1/16W	R4908	1-216-864-11	SHORT CHIP			
R4744	1-218-965-11	RES-CHIP	10K	5%	1/16W	R4915	1-208-687-11	METAL CHIP	1.5K	0.50%	1/16W
R4745	1-218-953-11	RES-CHIP	1K	5%	1/16W	R4916	1-208-683-11	METAL CHIP	1K	0.50%	1/16W
R4747	1-218-953-11	RES-CHIP	1K	5%	1/16W	R4918	1-218-935-11	RES-CHIP	33	5%	1/16W
R4748	1-218-949-11	RES-CHIP	470	5%	1/16W	R4919	1-218-935-11	RES-CHIP	33	5%	1/16W
R4749	1-218-941-81	RES-CHIP	100	5%	1/16W	R4921	1-208-687-11	METAL CHIP	1.5K	0.50%	1/16W
R4750	1-218-953-11	RES-CHIP	1K	5%	1/16W	R4922	1-218-941-11	RES-CHIP	100	5%	1/16W
R4751	1-218-953-11	RES-CHIP	1K	5%	1/16W	R4924	1-208-687-11	METAL CHIP	1.5K	0.50%	1/16W
R4752	1-218-990-81	SHORT CHIP				R4925	1-218-941-11	RES-CHIP	100	5%	1/16W
R4753	1-218-965-11	RES-CHIP	10K	5%	1/16W	R4927	1-208-871-81	METAL CHIP	220	0.50%	1/16W
R4754	1-218-957-11	RES-CHIP	2.2K	5%	1/16W	R4929	1-218-965-11	RES-CHIP	10K	5%	1/16W
R4755	1-218-965-11	RES-CHIP	10K	5%	1/16W	R4933	1-208-687-11	METAL CHIP	1.5K	0.50%	1/16W

**FB1A**

REF. NO.	PART NO.	DESCRIPTION	VALUES			REF. NO.	PART NO.	DESCRIPTION	VALUES		
R4934	1-208-687-11	METAL CHIP	1.5K	0.50%	1/16W	R5125	1-218-933-11	RES-CHIP	22	5%	1/16W
R4935	1-208-691-11	METAL CHIP	2.2K	0.50%	1/16W	R5126	1-218-933-11	RES-CHIP	22	5%	1/16W
R4936	1-208-663-11	METAL CHIP	150	0.50%	1/16W	R5131	1-218-933-11	RES-CHIP	22	5%	1/16W
R4937	1-218-941-11	RES-CHIP	100	5%	1/16W	R5133	1-218-990-81	SHORT CHIP			
R4938	1-208-691-11	METAL CHIP	2.2K	0.50%	1/16W	R5134	1-218-937-11	RES-CHIP	47	5%	1/16W
R4939	1-208-663-11	METAL CHIP	150	0.50%	1/16W	R5154	1-218-933-11	RES-CHIP	22	5%	1/16W
R4940	1-218-941-11	RES-CHIP	100	5%	1/16W	R5155	1-218-933-11	RES-CHIP	22	5%	1/16W
R4941	1-218-947-11	RES-CHIP	330	5%	1/16W	R5193	1-218-933-11	RES-CHIP	22	5%	1/16W
R4942	1-218-935-11	RES-CHIP	33	5%	1/16W	R5194	1-218-933-11	RES-CHIP	22	5%	1/16W
R4943	1-218-990-81	SHORT CHIP				R5195	1-218-990-81	SHORT CHIP			
R4946	1-216-815-11	METAL CHIP	330	5%	1/10W	R5196	1-218-990-81	SHORT CHIP			
R4948	1-216-815-11	METAL CHIP	330	5%	1/10W	R5197	1-218-933-11	RES-CHIP	22	5%	1/16W
R4954	1-218-990-81	SHORT CHIP				R5198	1-218-937-11	RES-CHIP	47	5%	1/16W
R4959	1-218-941-11	RES-CHIP	100	5%	1/16W	R5199	1-218-937-11	RES-CHIP	47	5%	1/16W
R4960	1-208-883-81	METAL CHIP	680	0.50%	1/16W	R5203	1-218-969-11	RES-CHIP	22K	5%	1/16W
R4961	1-218-941-11	RES-CHIP	100	5%	1/16W	R5204	1-218-953-11	RES-CHIP	1K	5%	1/16W
R4965	1-218-990-81	SHORT CHIP				R5205	1-218-990-81	SHORT CHIP			
R4967	1-218-990-81	SHORT CHIP				R5207	1-218-990-81	SHORT CHIP			
R4968	1-218-990-81	SHORT CHIP				R5209	1-218-959-11	RES-CHIP	3.3K	5%	1/16W
R4969	1-218-941-11	RES-CHIP	100	5%	1/16W	R5210	1-218-990-81	SHORT CHIP			
R4970	1-218-941-11	RES-CHIP	100	5%	1/16W	R5216	1-218-990-81	SHORT CHIP			
R4974	1-208-683-11	METAL CHIP	1K	0.50%	1/16W	R5217	1-218-943-11	RES-CHIP	150	5%	1/16W
R4976	1-208-683-11	METAL CHIP	1K	0.50%	1/16W	R5218	1-218-990-81	SHORT CHIP			
R4978	1-218-990-81	SHORT CHIP				R5219	1-218-929-11	RES-CHIP	10	5%	1/16W
R4990	1-208-911-11	METAL CHIP	10K	0.50%	1/16W	R5220	1-218-929-11	RES-CHIP	10	5%	1/16W
R4991	1-218-941-11	RES-CHIP	100	5%	1/16W	R5221	1-218-929-11	RES-CHIP	10	5%	1/16W
R4994	1-218-953-11	RES-CHIP	1K	5%	1/16W	R5222	1-218-929-11	RES-CHIP	10	5%	1/16W
R4996	1-208-677-11	METAL CHIP	560	0.50%	1/16W	R5223	1-218-990-81	SHORT CHIP			
R4997	1-218-990-81	SHORT CHIP				R5224	1-218-990-81	SHORT CHIP			
R5002	1-208-885-11	METAL CHIP	820	0.50%	1/16W	R5225	1-242-967-81	RES-CHIP	1	5%	1/16W
R5005	1-208-703-11	METAL CHIP	6.8K	0.50%	1/16W	R5230	1-218-990-81	SHORT CHIP			
R5006	1-218-935-11	RES-CHIP	33	5%	1/16W	R5405	1-218-939-11	RES-CHIP	68	5%	1/16W
R5012	1-208-695-11	METAL CHIP	3.3K	0.50%	1/16W	R5406	1-218-939-11	RES-CHIP	68	5%	1/16W
R5014	1-218-973-11	RES-CHIP	47K	5%	1/16W	R5407	1-218-937-11	RES-CHIP	47	5%	1/16W
R5015	1-218-953-11	RES-CHIP	1K	5%	1/16W	R5408	1-218-937-11	RES-CHIP	47	5%	1/16W
R5016	1-218-990-81	SHORT CHIP				R5409	1-218-939-11	RES-CHIP	68	5%	1/16W
R5017	1-218-990-81	SHORT CHIP				R5410	1-218-937-11	RES-CHIP	47	5%	1/16W
R5019	1-218-935-11	RES-CHIP	33	5%	1/16W	R5411	1-218-933-11	RES-CHIP	22	5%	1/16W
R5020	1-216-864-11	SHORT CHIP				R5412	1-218-933-11	RES-CHIP	22	5%	1/16W
R5021	1-216-864-11	SHORT CHIP				R5414	1-218-990-81	SHORT CHIP			
R5119	1-218-990-81	SHORT CHIP				R5416	1-218-990-81	SHORT CHIP			
R5120	1-218-990-81	SHORT CHIP				R5417	1-218-965-11	RES-CHIP	10K	5%	1/16W
R5122	1-218-965-11	RES-CHIP	10K	5%	1/16W	R5427	1-218-965-11	RES-CHIP	10K	5%	1/16W
R5123	1-218-937-11	RES-CHIP	47	5%	1/16W	R5430	1-218-965-11	RES-CHIP	10K	5%	1/16W
R5124	1-218-933-11	RES-CHIP	22	5%	1/16W	R5434	1-208-687-11	METAL CHIP	1.5K	0.50%	1/16W

FB1A
------

REF. NO.	PART NO.	DESCRIPTION	VALUES			REF. NO.	PART NO.	DESCRIPTION	VALUES		
R5435	1-208-687-11	METAL CHIP	1.5K	0.50%	1/16W	R5549	1-218-965-11	RES-CHIP	10K	5%	1/16W
R5436	1-218-961-11	RES-CHIP	4.7K	5%	1/16W	R5550	1-218-965-11	RES-CHIP	10K	5%	1/16W
R5438	1-218-961-11	RES-CHIP	4.7K	5%	1/16W	R5553	1-218-933-11	RES-CHIP	22	5%	1/16W
R5444	1-218-961-11	RES-CHIP	4.7K	5%	1/16W	R5554	1-218-933-11	RES-CHIP	22	5%	1/16W
R5445	1-218-961-11	RES-CHIP	4.7K	5%	1/16W	R5562	1-218-953-11	RES-CHIP	1K	5%	1/16W
R5446	1-218-961-11	RES-CHIP	4.7K	5%	1/16W	R5566	1-218-933-11	RES-CHIP	22	5%	1/16W
R5448	1-218-990-81	SHORT CHIP				R5567	1-218-933-11	RES-CHIP	22	5%	1/16W
R5449	1-218-961-11	RES-CHIP	4.7K	5%	1/16W	R5568	1-218-933-11	RES-CHIP	22	5%	1/16W
R5450	1-218-990-81	SHORT CHIP				R5569	1-218-933-11	RES-CHIP	22	5%	1/16W
R5452	1-218-990-81	SHORT CHIP				R5575	1-218-973-11	RES-CHIP	47K	5%	1/16W
R5453	1-218-965-11	RES-CHIP	10K	5%	1/16W	R5576	1-218-965-11	RES-CHIP	10K	5%	1/16W
R5457	1-218-933-11	RES-CHIP	22	5%	1/16W	R5580	1-218-939-11	RES-CHIP	68	5%	1/16W
R5466	1-218-939-11	RES-CHIP	68	5%	1/16W	R5581	1-218-939-11	RES-CHIP	68	5%	1/16W
R5467	1-218-933-11	RES-CHIP	22	5%	1/16W	R5582	1-218-939-11	RES-CHIP	68	5%	1/16W
R5471	1-218-933-11	RES-CHIP	22	5%	1/16W	R5583	1-218-939-11	RES-CHIP	68	5%	1/16W
R5472	1-218-965-11	RES-CHIP	10K	5%	1/16W	R5584	1-218-933-11	RES-CHIP	22	5%	1/16W
R5473	1-218-965-11	RES-CHIP	10K	5%	1/16W	R5585	1-218-965-11	RES-CHIP	10K	5%	1/16W
R5476	1-218-965-11	RES-CHIP	10K	5%	1/16W	R5586	1-218-965-11	RES-CHIP	10K	5%	1/16W
R5478	1-218-990-81	SHORT CHIP				R5587	1-218-965-11	RES-CHIP	10K	5%	1/16W
R5479	1-218-990-81	SHORT CHIP				R5588	1-208-943-11	METAL CHIP	220K	0.50%	1/16W
R5480	1-218-937-11	RES-CHIP	47	5%	1/16W	R5589	1-218-965-11	RES-CHIP	10K	5%	1/16W
R5481	1-218-937-11	RES-CHIP	47	5%	1/16W	R5590	1-218-965-11	RES-CHIP	10K	5%	1/16W
R5482	1-218-990-81	SHORT CHIP				R5630	1-218-990-81	SHORT CHIP			
R5483	1-218-933-11	RES-CHIP	22	5%	1/16W	R5631	1-218-990-81	SHORT CHIP			
R5484	1-218-933-11	RES-CHIP	22	5%	1/16W	R5701	1-218-990-81	SHORT CHIP			
R5492	1-218-990-81	SHORT CHIP				R5702	1-218-958-11	RES-CHIP	2.7K	5%	1/16W
R5494	1-218-965-11	RES-CHIP	10K	5%	1/16W	R5703	1-218-948-11	RES-CHIP	390	5%	1/16W
R5495	1-218-965-11	RES-CHIP	10K	5%	1/16W	R5704	1-208-683-11	METAL CHIP	1K	0.50%	1/16W
R5498	1-218-965-11	RES-CHIP	10K	5%	1/16W	R5705	1-216-864-11	SHORT CHIP			
R5501	1-218-937-11	RES-CHIP	47	5%	1/16W	R5706	1-216-864-11	SHORT CHIP			
R5506	1-218-990-81	SHORT CHIP				R5707	1-218-953-11	RES-CHIP	1K	5%	1/16W
R5512	1-218-941-81	RES-CHIP	100	5%	1/16W	R5708	1-208-883-81	METAL CHIP	680	0.50%	1/16W
R5513	1-218-965-11	RES-CHIP	10K	5%	1/16W	R5709	1-208-683-11	METAL CHIP	1K	0.50%	1/16W
R5514	1-218-965-11	RES-CHIP	10K	5%	1/16W	R5710	1-208-683-11	METAL CHIP	1K	0.50%	1/16W
R5516	1-218-990-81	SHORT CHIP				R5721	1-218-990-81	SHORT CHIP			
R5517	1-218-941-81	RES-CHIP	100	5%	1/16W	R5722	1-218-990-81	SHORT CHIP			
R5519	1-218-965-11	RES-CHIP	10K	5%	1/16W	R5723	1-218-990-81	SHORT CHIP			
R5524	1-218-937-11	RES-CHIP	47	5%	1/16W	R5724	1-218-990-81	SHORT CHIP			
R5525	1-218-973-11	RES-CHIP	47K	5%	1/16W	R5726	1-218-990-81	SHORT CHIP			
R5532	1-218-937-11	RES-CHIP	47	5%	1/16W	R5728	1-218-990-81	SHORT CHIP			
R5537	1-218-939-11	RES-CHIP	68	5%	1/16W	R5729	1-218-990-81	SHORT CHIP			
R5542	1-218-933-11	RES-CHIP	22	5%	1/16W	R5730	1-218-990-81	SHORT CHIP			
R5543	1-218-933-11	RES-CHIP	22	5%	1/16W	R5731	1-218-990-81	SHORT CHIP			
R5545	1-218-933-11	RES-CHIP	22	5%	1/16W	R5732	1-218-990-81	SHORT CHIP			
R5546	1-218-933-11	RES-CHIP	22	5%	1/16W	R5733	1-218-990-81	SHORT CHIP			





**FB1A**

REF. NO.	PART NO.	DESCRIPTION	VALUES	REF. NO.	PART NO.	DESCRIPTION	VALUES
RB2109	1-234-378-11	RES, NETWORK 10K	(1005X4)	RB2714	1-245-943-21	RES, CHIP NETWORK 68X8	(3816)
RB2111	1-234-375-21	RES, NETWORK 1K	(1005X4)	RB2715	1-245-943-21	RES, CHIP NETWORK 68X8	(3816)
RB2112	1-234-106-81	RES, NETWORK 0		RB2717	1-234-944-21	RES, NETWORK 47	(1005X4)
RB2113	1-234-795-21	RES, NETWORK 0X4	(2010)	RB2718	1-234-799-21	RES, CHIP NETWORK 10KX8	(3816)
RB2114	1-234-377-21	RES, NETWORK 4.7K	(1005X4)	RB2720	1-234-944-21	RES, NETWORK 47	(1005X4)
RB2115	1-239-690-81	RESISTOR, NETWORK 2.2K		RB2723	1-234-381-21	RES, NETWORK 100K	(1005X4)
RB2117	1-234-944-21	RES, NETWORK 47	(1005X4)	RB2724	1-239-710-11	RESISTOR, NETWORK 100K	
RB2120	1-234-795-21	RES, NETWORK 0X4	(2010)	RB2727	1-239-670-81	RESISTOR, NETWORK 47	
RB2121	1-234-378-11	RES, NETWORK 10K	(1005X4)	RB2728	1-234-944-21	RES, NETWORK 47	(1005X4)
RB2122	1-239-698-11	RESISTOR, NETWORK 10K		RB2729	1-234-702-11	RES, NETWORK 68	(1005X4)
RB2123	1-234-945-21	RES, NETWORK 100	(1005X4)	RB2730	1-239-670-81	RESISTOR, NETWORK 47	
RB2300	1-234-711-21	RES, CHIP NETWORK 22X8	(3816)	RB2732	1-239-670-81	RESISTOR, NETWORK 47	
RB2301	1-234-711-21	RES, CHIP NETWORK 22X8	(3816)	RB2735	1-234-381-21	RES, NETWORK 100K	(1005X4)
RB2302	1-234-799-21	RES, CHIP NETWORK 10KX8	(3816)	RB2736	1-234-943-21	RES, NETWORK 22	(1005X4)
RB2303	1-234-799-21	RES, CHIP NETWORK 10KX8	(3816)	RB2737	1-234-381-21	RES, NETWORK 100K	(1005X4)
RB2304	1-234-799-21	RES, CHIP NETWORK 10KX8	(3816)	RB2902	1-234-710-21	RES, CHIP NETWORK 47X8	(3816)
RB2305	1-234-799-21	RES, CHIP NETWORK 10KX8	(3816)	RB2903	1-234-710-21	RES, CHIP NETWORK 47X8	(3816)
RB2307	1-234-945-21	RES, NETWORK 100	(1005X4)	RB2904	1-234-710-21	RES, CHIP NETWORK 47X8	(3816)
RB2308	1-234-945-21	RES, NETWORK 100	(1005X4)	RB2905	1-234-710-21	RES, CHIP NETWORK 47X8	(3816)
RB2309	1-234-945-21	RES, NETWORK 100	(1005X4)	RB2906	1-234-710-21	RES, CHIP NETWORK 47X8	(3816)
RB2310	1-234-945-21	RES, NETWORK 100	(1005X4)	RB2907	1-234-944-21	RES, NETWORK 47	(1005X4)
RB2311	1-234-945-21	RES, NETWORK 100	(1005X4)	RB2908	1-234-377-21	RES, NETWORK 4.7K	(1005X4)
RB2312	1-234-945-21	RES, NETWORK 100	(1005X4)	RB2911	1-234-710-21	RES, CHIP NETWORK 47X8	(3816)
RB2313	1-234-945-21	RES, NETWORK 100	(1005X4)	RB2912	1-234-710-21	RES, CHIP NETWORK 47X8	(3816)
RB2314	1-234-945-21	RES, NETWORK 100	(1005X4)	RB2913	1-234-710-21	RES, CHIP NETWORK 47X8	(3816)
RB2315	1-234-378-11	RES, NETWORK 10K	(1005X4)	RB2914	1-234-710-21	RES, CHIP NETWORK 47X8	(3816)
RB2316	1-234-378-11	RES, NETWORK 10K	(1005X4)	RB2915	1-234-710-21	RES, CHIP NETWORK 47X8	(3816)
RB2317	1-234-378-11	RES, NETWORK 10K	(1005X4)	RB2916	1-234-799-21	RES, CHIP NETWORK 10KX8	(3816)
RB2318	1-234-378-11	RES, NETWORK 10K	(1005X4)	RB2917	1-234-943-21	RES, NETWORK 22	(1005X4)
RB2500	1-234-943-21	RES, NETWORK 22	(1005X4)	RB2918	1-234-880-21	RES, CHIP NETWORK 4.7KX8	(3816)
RB2501	1-234-943-21	RES, NETWORK 22	(1005X4)	RB2919	1-234-799-21	RES, CHIP NETWORK 10KX8	(3816)
RB2502	1-234-943-21	RES, NETWORK 22	(1005X4)	RB2920	1-234-799-21	RES, CHIP NETWORK 10KX8	(3816)
RB2503	1-234-943-21	RES, NETWORK 22	(1005X4)	RB2922	1-234-944-21	RES, NETWORK 47	(1005X4)
RB2504	1-234-943-21	RES, NETWORK 22	(1005X4)	RB2923	1-234-943-21	RES, NETWORK 22	(1005X4)
RB2700	1-234-799-21	RES, CHIP NETWORK 10KX8	(3816)	RB2924	1-234-378-11	RES, NETWORK 10K	(1005X4)
RB2701	1-234-378-11	RES, NETWORK 10K	(1005X4)	RB3300	1-234-378-11	RES, NETWORK 10K	(1005X4)
RB2702	1-234-799-21	RES, CHIP NETWORK 10KX8	(3816)	RB3301	1-234-378-11	RES, NETWORK 10K	(1005X4)
RB2703	1-234-799-21	RES, CHIP NETWORK 10KX8	(3816)	RB3302	1-239-698-11	RESISTOR, NETWORK 10K	
RB2705	1-234-381-21	RES, NETWORK 100K	(1005X4)	RB3399	1-239-698-11	RESISTOR, NETWORK 10K	
RB2706	1-234-883-21	RES, CHIP NETWORK 100KX8	(3816)	RB4000	1-234-377-21	RES, NETWORK 4.7K	(1005X4)
RB2707	1-234-883-21	RES, CHIP NETWORK 100KX8	(3816)	RB4001	1-234-943-21	RES, NETWORK 22	(1005X4)
RB2708	1-234-710-21	RES, CHIP NETWORK 47X8	(3816)	RB4002	1-234-945-21	RES, NETWORK 100	(1005X4)
RB2709	1-234-710-21	RES, CHIP NETWORK 47X8	(3816)	RB4003	1-234-378-11	RES, NETWORK 10K	(1005X4)
RB2712	1-245-943-21	RES, CHIP NETWORK 68X8	(3816)	RB4004	1-234-377-21	RES, NETWORK 4.7K	(1005X4)
RB2713	1-245-943-21	RES, CHIP NETWORK 68X8	(3816)	RB4005	1-234-378-11	RES, NETWORK 10K	(1005X4)

**FB1A**

REF. NO.	PART NO.	DESCRIPTION	VALUES	REF. NO.	PART NO.	DESCRIPTION	VALUES
RB4006	1-234-943-21	RES, NETWORK 22	(1005X4)	RB4712	1-234-944-21	RES, NETWORK 47	(1005X4)
RB4007	1-234-945-21	RES, NETWORK 100	(1005X4)	RB4713	1-234-378-11	RES, NETWORK 10K	(1005X4)
RB4008	1-234-943-21	RES, NETWORK 22	(1005X4)	RB4714	1-234-944-21	RES, NETWORK 47	(1005X4)
RB4009	1-234-943-21	RES, NETWORK 22	(1005X4)	RB4715	1-234-945-21	RES, NETWORK 100	(1005X4)
RB4300	1-234-945-21	RES, NETWORK 100	(1005X4)	RB4716	1-234-944-21	RES, NETWORK 47	(1005X4)
RB4301	1-234-945-21	RES, NETWORK 100	(1005X4)	RB4717	1-234-945-21	RES, NETWORK 100	(1005X4)
RB4302	1-234-795-21	RES, NETWORK 0X4	(2010)	RB4718	1-234-945-21	RES, NETWORK 100	(1005X4)
RB4303	1-234-795-21	RES, NETWORK 0X4	(2010)	RB4719	1-234-945-21	RES, NETWORK 100	(1005X4)
RB4304	1-234-795-21	RES, NETWORK 0X4	(2010)	RB4720	1-234-945-21	RES, NETWORK 100	(1005X4)
RB4314	1-234-795-21	RES, NETWORK 0X4	(2010)	RB4721	1-234-945-21	RES, NETWORK 100	(1005X4)
RB4503	1-234-892-21	RES, CHIP NETWORK 33X8	(3816)	RB4722	1-234-378-11	RES, NETWORK 10K	(1005X4)
RB4505	1-234-892-21	RES, CHIP NETWORK 33X8	(3816)	RB4723	1-234-378-11	RES, NETWORK 10K	(1005X4)
RB4507	1-234-892-21	RES, CHIP NETWORK 33X8	(3816)	RB4724	1-234-375-21	RES, NETWORK 1K	(1005X4)
RB4512	1-234-892-21	RES, CHIP NETWORK 33X8	(3816)	RB4725	1-234-375-21	RES, NETWORK 1K	(1005X4)
RB4514	1-234-892-21	RES, CHIP NETWORK 33X8	(3816)	RB4726	1-234-375-21	RES, NETWORK 1K	(1005X4)
RB4515	1-234-380-21	RES, NETWORK 47K	(1005X4)	RB4727	1-234-945-21	RES, NETWORK 100	(1005X4)
RB4516	1-234-380-21	RES, NETWORK 47K	(1005X4)	RB4729	1-234-377-21	RES, NETWORK 4.7K	(1005X4)
RB4517	1-234-795-21	RES, NETWORK 0X4	(2010)	RB4730	1-234-944-21	RES, NETWORK 47	(1005X4)
RB4518	1-234-377-21	RES, NETWORK 4.7K	(1005X4)	RB5115	1-234-944-21	RES, NETWORK 47	(1005X4)
RB4604	1-234-944-21	RES, NETWORK 47	(1005X4)	RB5127	1-234-799-21	RES, CHIP NETWORK 10KX8	(3816)
RB4605	1-234-944-21	RES, NETWORK 47	(1005X4)	RB5128	1-234-378-11	RES, NETWORK 10K	(1005X4)
RB4608	1-234-944-21	RES, NETWORK 47	(1005X4)	RB5200	1-234-369-21	RES, NETWORK 10	(1005X4)
RB4609	1-234-795-21	RES, NETWORK 0X4	(2010)	RB5201	1-234-369-21	RES, NETWORK 10	(1005X4)
RB4610	1-234-944-21	RES, NETWORK 47	(1005X4)	RB5202	1-234-369-21	RES, NETWORK 10	(1005X4)
RB4611	1-234-710-21	RES, CHIP NETWORK 47X8	(3816)	RB5203	1-234-369-21	RES, NETWORK 10	(1005X4)
RB4612	1-234-710-21	RES, CHIP NETWORK 47X8	(3816)	RB5204	1-234-369-21	RES, NETWORK 10	(1005X4)
RB4613	1-234-710-21	RES, CHIP NETWORK 47X8	(3816)	RB5400	1-234-702-11	RES, NETWORK 68	(1005X4)
RB4614	1-246-204-21	RES, CHIP NETWORK 600X8	(3816)	RB5409	1-234-944-21	RES, NETWORK 47	(1005X4)
RB4615	1-246-204-21	RES, CHIP NETWORK 600X8	(3816)	RB5416	1-234-944-21	RES, NETWORK 47	(1005X4)
RB4616	1-246-204-21	RES, CHIP NETWORK 600X8	(3816)	RB5417	1-234-378-11	RES, NETWORK 10K	(1005X4)
RB4617	1-234-944-21	RES, NETWORK 47	(1005X4)	RB5419	1-234-378-11	RES, NETWORK 10K	(1005X4)
RB4618	1-234-378-11	RES, NETWORK 10K	(1005X4)	RB5420	1-234-944-21	RES, NETWORK 47	(1005X4)
RB4619	1-234-944-21	RES, NETWORK 47	(1005X4)	RB5421	1-234-710-21	RES, CHIP NETWORK 47X8	(3816)
RB4700	1-234-376-11	RES, NETWORK 2.2K	(1005X4)	RB5427	1-234-943-21	RES, NETWORK 22	(1005X4)
RB4701	1-234-378-11	RES, NETWORK 10K	(1005X4)	RB5432	1-234-378-11	RES, NETWORK 10K	(1005X4)
RB4702	1-234-944-21	RES, NETWORK 47	(1005X4)	RB5433	1-234-378-11	RES, NETWORK 10K	(1005X4)
RB4703	1-234-378-11	RES, NETWORK 10K	(1005X4)	RB5434	1-245-943-21	RES, CHIP NETWORK 68X8	(3816)
RB4704	1-234-945-21	RES, NETWORK 100	(1005X4)	RB5435	1-245-943-21	RES, CHIP NETWORK 68X8	(3816)
RB4705	1-234-376-11	RES, NETWORK 2.2K	(1005X4)	RB5436	1-234-711-21	RES, CHIP NETWORK 22X8	(3816)
RB4706	1-234-944-21	RES, NETWORK 47	(1005X4)	RB5437	1-234-711-21	RES, CHIP NETWORK 22X8	(3816)
RB4707	1-234-945-21	RES, NETWORK 100	(1005X4)	RB5438	1-234-943-21	RES, NETWORK 22	(1005X4)
RB4708	1-234-945-21	RES, NETWORK 100	(1005X4)	RB5439	1-234-943-21	RES, NETWORK 22	(1005X4)
RB4709	1-234-945-21	RES, NETWORK 100	(1005X4)	RB5441	1-234-943-21	RES, NETWORK 22	(1005X4)
RB4710	1-234-945-21	RES, NETWORK 100	(1005X4)	RB5443	1-234-943-21	RES, NETWORK 22	(1005X4)
RB4711	1-234-945-21	RES, NETWORK 100	(1005X4)	RB5444	1-234-887-21	RES, CHIP NETWORK 0X8	(3816)









REF. NO.	PART NO.	DESCRIPTION	VALUES	REF. NO.	PART NO.	DESCRIPTION	VALUES
<b><u>DIODE</u></b>				<b><u>FERRITE BEAD</u></b>			
D6000	8-719-054-89	DIODE	D15XB60	FB6200	1-410-397-21	FERRITE	1.1μH
D6101	6-501-818-01	DIODE	MA2J1130GLS0	FB6201	1-410-397-21	FERRITE	1.1μH
D6102	8-719-081-67	DIODE	M1FM3	<b><u>IC</u></b>			
D6103	8-719-979-64	DIODE	μF4005/23	IC6100	6-707-749-01	IC	CXD9841P
D6104	6-501-043-01	DIODE	UMZ16NT106	IC6200	6-709-368-01	IC	MM1431ATT (CN)
D6105	6-501-043-01	DIODE	UMZ16NT106	IC6300	6-708-801-01	IC	MIP2H2
D6106	8-719-081-67	DIODE	M1FM3	IC6301	6-709-368-01	IC	MM1431ATT (CN)
D6107	8-719-081-67	DIODE	M1FM3	IC6401	6-709-368-01	IC	MM1431ATT (CN)
D6109	6-501-774-01	DIODE	MAZ8150G0LS0	IC6402	6-709-368-01	IC	MM1431ATT (CN)
D6201	6-502-117-01	DIODE	D5LC20U-F5	IC6502	6-709-192-01	IC	FA5501AN-D1-TE1
D6202	8-719-060-88	DIODE	D4SBS6	IC6900	6-704-967-01	IC	PQ20RX11J00H
D6203	6-501-545-01	DIODE	SG10SC6-F5	IC6902	6-704-967-01	IC	PQ20RX11J00H
D6204	6-501-545-01	DIODE	SG10SC6-F5	IC6903	6-708-762-01	IC	PQ200WNA1ZPH
D6205	6-501-545-01	DIODE	SG10SC6-F5	IC6904	6-708-762-01	IC	PQ200WNA1ZPH
* D6206	6-501-770-01	DIODE	MAZ8130G0LS0	<b><u>CHIP CONDUCTOR</u></b>			
D6207	6-501-817-01	DIODE	MA2J1110GLS0	JR6002	1-216-296-11	SHORT CHIP	
D6208	6-501-758-01	DIODE	MAZ8100G0LS0	JR6003	1-216-296-11	SHORT CHIP	
D6300	8-719-077-76	DIODE	D2SB60A-F04	JR6004	1-216-296-11	SHORT CHIP	
D6301	8-719-058-74	DIODE	05NU42-TPA2	JR6005	1-216-296-11	SHORT CHIP	
D6302	6-500-567-31	DIODE	10ERB20-TB3	JR6006	1-216-296-11	SHORT CHIP	
D6303	6-500-567-31	DIODE	10ERB20-TB3	JR6007	1-216-295-91	SHORT CHIP	
D6304	8-719-052-90	DIODE	D1NL40-TA2	JR6008	1-216-295-91	SHORT CHIP	
D6305	6-501-526-01	DIODE	D1NS6-TR2	JR6009	1-216-295-91	SHORT CHIP	
D6400	6-501-817-01	DIODE	MA2J1110GLS0	JR6010	1-216-295-91	SHORT CHIP	
D6402	6-501-817-01	DIODE	MA2J1110GLS0	JR6011	1-216-295-91	SHORT CHIP	
D6501	6-501-043-01	DIODE	UMZ16NT106	JR6012	1-216-295-91	SHORT CHIP	
D6503	6-501-043-01	DIODE	UMZ16NT106	JR6013	1-216-295-91	SHORT CHIP	
D6504	6-501-818-01	DIODE	MA2J1130GLS0	JR6014	1-216-295-91	SHORT CHIP	
* D6506	8-719-055-38	DIODE	SF5L60	JR6016	1-216-296-11	SHORT CHIP	
D6509	6-501-818-01	DIODE	MA2J1130GLS0	JR6017	1-216-295-91	SHORT CHIP	
D6510	6-500-137-01	DIODE	BAT54HT1	JR6018	1-216-296-11	SHORT CHIP	
D6511	6-501-817-01	DIODE	MA2J1110GLS0	JR6019	1-216-296-11	SHORT CHIP	
D6512	6-501-817-01	DIODE	MA2J1110GLS0	JR6020	1-216-296-11	SHORT CHIP	
D6513	6-501-817-01	DIODE	MA2J1110GLS0	JR6021	1-216-296-11	SHORT CHIP	
D6900	6-500-335-01	DIODE	MC2838-T112-1	JR6022	1-216-296-11	SHORT CHIP	
D6901	6-500-335-01	DIODE	MC2838-T112-1	JR6023	1-216-296-11	SHORT CHIP	
D6902	6-500-335-01	DIODE	MC2838-T112-1	JR6025	1-216-295-91	SHORT CHIP	
D6903	6-500-335-01	DIODE	MC2838-T112-1	JR6026	1-216-296-11	SHORT CHIP	
D6904	6-500-335-01	DIODE	MC2838-T112-1	JR6027	1-216-295-91	SHORT CHIP	
D6905	6-500-335-01	DIODE	MC2838-T112-1	JR6028	1-216-296-11	SHORT CHIP	





REF. NO.	PART NO.	DESCRIPTION	VALUES			REF. NO.	PART NO.	DESCRIPTION	VALUES		
R6403	1-218-887-11	METAL CHIP	47K	0.50%	1/10W	R6538	1-249-405-11	CARBON	100	5%	1/4W
R6405	1-216-829-11	METAL CHIP	4.7K	5%	1/10W	R6539	1-218-831-11	METAL CHIP	220	0.50%	1/10W
R6406	1-216-821-11	METAL CHIP	1K	5%	1/10W	R6540	1-218-831-11	METAL CHIP	220	0.50%	1/10W
R6407	1-216-845-11	METAL CHIP	100K	5%	1/10W	R6542	1-208-814-91	METAL CHIP	22K	0.50%	1/10W
R6408	1-218-863-11	METAL CHIP	4.7K	0.50%	1/10W	R6545	1-208-840-11	METAL CHIP	270K	0.50%	1/10W
R6409	1-216-833-11	METAL CHIP	10K	5%	1/10W	R6546	1-208-840-11	METAL CHIP	270K	0.50%	1/10W
R6410	1-216-823-11	METAL CHIP	1.5K	5%	1/10W	R6547	1-208-840-11	METAL CHIP	270K	0.50%	1/10W
R6412	1-216-833-11	METAL CHIP	10K	5%	1/10W	R6548	1-208-840-11	METAL CHIP	270K	0.50%	1/10W
R6413	1-218-863-11	METAL CHIP	4.7K	0.50%	1/10W	R6549	1-218-760-11	METAL CHIP	220K	0.50%	1/10W
R6416	1-243-565-71	METAL OXIDE	120	5%	2W	R6550	1-218-869-11	METAL CHIP	8.2K	0.50%	1/10W
R6417	1-216-821-11	METAL CHIP	1K	5%	1/10W	R6551	1-249-385-11	CARBON	2.2	5%	1/4W
R6418	1-216-829-11	METAL CHIP	4.7K	5%	1/10W	R6552	1-216-809-11	METAL CHIP	100	5%	1/10W
R6419	1-216-829-11	METAL CHIP	4.7K	5%	1/10W	R6557	1-218-833-11	METAL CHIP	270	0.50%	1/10W
R6436	1-216-829-11	METAL CHIP	4.7K	5%	1/10W	R6559	1-208-818-11	METAL CHIP	33K	0.50%	1/10W
R6437	1-216-821-11	METAL CHIP	1K	5%	1/10W	R6561	1-218-831-11	METAL CHIP	220	0.50%	1/10W
R6442	1-216-833-11	METAL CHIP	10K	5%	1/10W	R6562	1-218-831-11	METAL CHIP	220	0.50%	1/10W
R6452	1-218-851-11	METAL CHIP	1.5K	0.50%	1/10W	R6900	1-216-864-11	SHORT CHIP			
R6454	1-216-829-11	METAL CHIP	4.7K	5%	1/10W	R6901	1-216-864-11	SHORT CHIP			
R6455	1-218-903-11	METAL CHIP	220K	0.50%	1/10W	R6902	1-216-864-11	SHORT CHIP			
R6456	1-218-871-11	METAL CHIP	10K	0.50%	1/10W	R6903	1-216-864-11	SHORT CHIP			
R6459	1-218-849-11	METAL CHIP	1.2K	0.50%	1/10W	R6904	1-216-864-11	SHORT CHIP			
R6460	1-216-833-11	METAL CHIP	10K	5%	1/10W	R6905	1-216-864-11	SHORT CHIP			
R6461	1-216-864-11	SHORT CHIP				R6906	1-218-676-11	METAL CHIP	220	0.50%	1/10W
R6500	1-220-926-81	FUSIBLE	0.47	10%	1/2W	R6907	1-218-692-11	METAL CHIP	1K	0.50%	1/10W
R6501	1-216-857-11	METAL CHIP	1M	5%	1/10W	R6909	1-216-864-11	SHORT CHIP			
R6503	1-215-882-00	METAL OXIDE	22	5%	2W	R6910	1-216-864-11	SHORT CHIP			
R6505	1-211-991-11	METAL CHIP	82	0.50%	1/10W	R6911	1-218-690-11	METAL CHIP	820	0.50%	1/10W
R6512	1-218-907-11	METAL CHIP	330K	0.50%	1/10W	R6914	1-218-722-11	METAL CHIP	18K	0.50%	1/10W
R6513	1-218-879-11	METAL CHIP	22K	0.50%	1/10W	R6915	1-218-716-11	METAL CHIP	10K	0.50%	1/10W
R6514	1-218-895-11	METAL CHIP	100K	0.50%	1/10W	R6918	1-216-864-11	SHORT CHIP			
R6516	1-218-760-11	METAL CHIP	220K	0.50%	1/10W	R6920	1-216-864-11	SHORT CHIP			
R6517	1-218-760-11	METAL CHIP	220K	0.50%	1/10W	R6921	1-218-720-11	METAL CHIP	15K	0.50%	1/10W
R6518	1-218-760-11	METAL CHIP	220K	0.50%	1/10W	R6922	1-218-716-11	METAL CHIP	10K	0.50%	1/10W
R6519	1-218-760-11	METAL CHIP	220K	0.50%	1/10W	R6925	1-218-722-11	METAL CHIP	18K	0.50%	1/10W
R6526	1-218-760-11	METAL CHIP	220K	0.50%	1/10W	R6926	1-218-716-11	METAL CHIP	10K	0.50%	1/10W
R6527	1-218-867-11	METAL CHIP	6.8K	0.50%	1/10W	R6927	1-218-718-11	METAL CHIP	12K	0.50%	1/10W
R6528	1-218-867-11	METAL CHIP	6.8K	0.50%	1/10W	R6928	1-218-700-11	METAL CHIP	2.2K	0.50%	1/10W
R6530	1-219-729-61	METAL	0.33	10%	5W	R6931	1-218-722-11	METAL CHIP	18K	0.50%	1/10W
R6531	1-219-729-61	METAL	0.33	10%	5W	R6932	1-218-716-11	METAL CHIP	10K	0.50%	1/10W
R6532	1-216-864-11	SHORT CHIP				R6933	1-218-716-11	METAL CHIP	10K	0.50%	1/10W
R6533	1-216-833-11	METAL CHIP	10K	5%	1/10W	R6934	1-216-864-11	SHORT CHIP			
R6534	1-216-809-11	METAL CHIP	100	5%	1/10W	R6935	1-218-698-11	METAL CHIP	1.8K	0.50%	1/10W
R6535	1-216-833-11	METAL CHIP	10K	5%	1/10W	R6936	1-218-686-11	METAL CHIP	560	0.50%	1/10W
R6536	1-249-389-11	CARBON	4.7	5%	1/4W	R6937	1-216-864-11	SHORT CHIP			
R6537	1-249-389-11	CARBON	4.7	5%	1/4W	R6950	1-216-864-11	SHORT CHIP			

NOTE: The components identified by shading and  $\triangle$  mark are critical for safety. Replace only with part number specified.

NOTE: Les composants identifiés par un trame et une marque  $\triangle$  sont critiques pour la sécurité. Ne les remplacer que par une pièce portant le numéro spécifique.

**G** **H1** **H2**

REF. NO.	PART NO.	DESCRIPTION	VALUES			REF. NO.	PART NO.	DESCRIPTION	VALUES		
R6961	1-216-864-11	SHORT CHIP				<b>RESISTOR</b>					
R6962	1-216-864-11	SHORT CHIP				R7000	1-218-825-11	METAL CHIP	120	0.50%	1/10W
R6963	1-216-864-11	SHORT CHIP				R7001	1-218-827-11	METAL CHIP	150	0.50%	1/10W
R6964	1-218-716-11	METAL CHIP	10K	0.50%	1/10W	R7002	1-218-833-11	METAL CHIP	270	0.50%	1/10W
R6966	1-218-716-11	METAL CHIP	10K	0.50%	1/10W	R7003	1-218-841-11	METAL CHIP	560	0.50%	1/10W
R6968	1-218-712-11	METAL CHIP	6.8K	0.50%	1/10W	R7004	1-218-851-11	METAL CHIP	1.5K	0.50%	1/10W
R6969	1-216-864-11	SHORT CHIP				<b>SWITCH</b>					
R6970	1-216-864-11	SHORT CHIP				S7000	1-762-196-21	SWITCH, TACTILE			
R6979	1-216-841-11	METAL CHIP	47K	5%	1/10W	S7001	1-762-196-21	SWITCH, TACTILE			
R6980	1-216-841-11	METAL CHIP	47K	5%	1/10W	S7002	1-762-196-21	SWITCH, TACTILE			
R6981	1-216-809-11	METAL CHIP	100	5%	1/10W	S7003	1-762-196-21	SWITCH, TACTILE			
R6982	1-216-833-11	METAL CHIP	10K	5%	1/10W	S7004	1-762-196-21	SWITCH, TACTILE			
R6983	1-216-841-11	METAL CHIP	47K	5%	1/10W	S7005	1-762-196-21	SWITCH, TACTILE			
R6984	1-216-841-11	METAL CHIP	47K	5%	1/10W	S7006	1-762-196-21	SWITCH, TACTILE			
R6985	1-216-833-11	METAL CHIP	10K	5%	1/10W	<b>VARISTOR</b>					
R6986	1-218-704-11	METAL CHIP	3.3K	0.50%	1/10W	VD7000	1-803-974-21	VARISTOR, CHIP	(1608)		
<b>RELAY</b>						VD7002	1-803-974-21	VARISTOR, CHIP	(1608)		
$\triangle$ RY6000	1-755-388-11	RELAY (AC POWER)				<b>H2</b>					
$\triangle$ RY6001	1-755-388-11	RELAY (AC POWER)				A-1254-772-A	<b>H2 BOARD, MOUNTED</b>				
<b>TRANSFORMER</b>						<b>CAPACITOR</b>					
$\triangle$ T6200	1-445-276-11	CONVERTER TRANSFORMER (PIT)				C7020	1-162-970-11	CERAMIC CHIP	0.01 $\mu$ F	10%	25V
$\triangle$ T6300	1-445-089-11	CONVERTER TRANSFORMER (SBT)				C7021	1-162-970-11	CERAMIC CHIP	0.01 $\mu$ F	10%	25V
<b>THERMISTOR</b>						C7022	1-100-597-91	CERAMIC CHIP	0.1 $\mu$ F	10%	25V
TH6300	1-803-586-41	THERMISTOR				C7023	1-162-970-11	CERAMIC CHIP	0.01 $\mu$ F	10%	25V
<b>H1</b>						C7024	1-162-970-11	CERAMIC CHIP	0.01 $\mu$ F	10%	25V
A-1254-771-A	<b>H1 BOARD, MOUNTED</b>					C7026	1-100-597-91	CERAMIC CHIP	0.1 $\mu$ F	10%	25V
<b>CAPACITOR</b>						C7027	1-112-066-11	CERAMIC CHIP	10 $\mu$ F	10%	10V
C7000	1-162-970-11	CERAMIC CHIP	0.01 $\mu$ F	10%	25V	C7029	1-100-597-91	CERAMIC CHIP	0.1 $\mu$ F	10%	25V
C7001	1-100-597-91	CERAMIC CHIP	0.1 $\mu$ F	10%	25V	C7030	1-165-908-11	CERAMIC CHIP	1 $\mu$ F	10%	10V
<b>DIODE</b>						C7031	1-162-915-11	CERAMIC CHIP	10pF	0.50pF	50V
D7000	8-719-036-94	DIODE	RD5.6SB-T1			C7032	1-162-915-11	CERAMIC CHIP	10pF	0.50pF	50V
D7002	8-719-036-94	DIODE	RD5.6SB-T1			<b>CONNECTOR</b>					
						CN7021	1-784-970-11	PIN, CONNECTOR (PC BOARD)	12P		

H2	S2	T
----	----	---

REF. NO.	PART NO.	DESCRIPTION	VALUES	REF. NO.	PART NO.	DESCRIPTION	VALUES
<b><u>DIODE</u></b>				R7041	1-216-801-11	METAL CHIP	22 5% 1/10W
D7020	8-719-064-11	DIODE	SPR-325MVW	R7043	1-216-833-11	METAL CHIP	10K 5% 1/10W
D7021	8-719-053-43	DIODE	SLR-325VCT31	R7045	1-216-864-11	SHORT CHIP	
D7022	8-719-064-11	DIODE	SPR-325MVW	R7047	1-216-864-11	SHORT CHIP	
<b><u>IC</u></b>				<b>S2</b>			
IC7020	6-710-071-01	IC	GP1UE26XKOVF	<b>A-1254-774-A S2 BOARD, MOUNTED</b>			
IC7021	6-710-443-01	IC	LM75AD				
<b><u>CHIP CONDUCTOR</u></b>				<b><u>CAPACITOR</u></b>			
JR7001	1-216-296-11	SHORT CHIP		C7060	1-100-597-91	CERAMIC CHIP	0.1µF 10% 25V
JR7002	1-216-296-11	SHORT CHIP		C7061	1-165-908-11	CERAMIC CHIP	1µF 10% 10V
JR7003	1-216-296-11	SHORT CHIP		C7062	1-162-915-11	CERAMIC CHIP	10pF 0.50pF 50V
				C7063	1-162-915-11	CERAMIC CHIP	10pF 0.50pF 50V
<b><u>TRANSISTOR</u></b>				<b><u>CONNECTOR</u></b>			
Q7020	8-729-620-07	TRANSISTOR	2SC3052EF-T1-LEF	* CN7060	1-819-473-11	HEADER ASSEMBLY FOR PWB	
Q7021	8-729-620-07	TRANSISTOR	2SC3052EF-T1-LEF				
Q7022	8-729-620-07	TRANSISTOR	2SC3052EF-T1-LEF				
Q7023	8-729-620-07	TRANSISTOR	2SC3052EF-T1-LEF				
Q7025	8-729-027-23	TRANSISTOR	DTA114EKA-T146	<b><u>IC</u></b>			
Q7026	8-729-027-23	TRANSISTOR	DTA114EKA-T146	IC7060	6-710-443-01	IC	LM75AD
Q7027	8-729-027-23	TRANSISTOR	DTA114EKA-T146				
<b><u>RESISTOR</u></b>				<b><u>RESISTOR</u></b>			
R7020	1-216-833-11	METAL CHIP	10K 5% 1/10W	R7061	1-216-801-11	METAL CHIP	22 5% 1/10W
R7021	1-216-833-11	METAL CHIP	10K 5% 1/10W	R7062	1-216-801-11	METAL CHIP	22 5% 1/10W
R7022	1-216-813-11	METAL CHIP	220 5% 1/10W	R7064	1-216-833-11	METAL CHIP	10K 5% 1/10W
R7023	1-216-813-11	METAL CHIP	220 5% 1/10W	R7065	1-216-833-11	METAL CHIP	10K 5% 1/10W
R7024	1-216-833-11	METAL CHIP	10K 5% 1/10W	R7066	1-216-864-11	SHORT CHIP	
R7025	1-216-833-11	METAL CHIP	10K 5% 1/10W	<b>T</b>			
R7026	1-216-813-11	METAL CHIP	220 5% 1/10W	<b>A-1254-775-A T BOARD, MOUNTED</b>			
R7027	1-216-833-11	METAL CHIP	10K 5% 1/10W				
R7028	1-216-833-11	METAL CHIP	10K 5% 1/10W	<b><u>CONNECTOR</u></b>			
R7029	1-216-833-11	METAL CHIP	10K 5% 1/10W	* CN7080	1-819-472-11	HEADER ASSEMBLY FOR PWB	
R7030	1-216-833-11	METAL CHIP	10K 5% 1/10W				
R7031	1-216-813-11	METAL CHIP	220 5% 1/10W	<b><u>SWITCH</u></b>			
R7032	1-216-813-11	METAL CHIP	220 5% 1/10W	S7080	1-786-977-11	PUSH SWITCH	
R7035	1-216-864-11	SHORT CHIP					
R7036	1-216-813-11	METAL CHIP	220 5% 1/10W				
R7037	1-216-805-11	METAL CHIP	47 5% 1/10W				
R7038	1-216-864-11	SHORT CHIP					
R7040	1-216-801-11	METAL CHIP	22 5% 1/10W				



**TUU2**

REF. NO.	PART NO.	DESCRIPTION	VALUES			REF. NO.	PART NO.	DESCRIPTION	VALUES		
<b>TUU2</b>						C1044	1-114-148-11	CERAMIC CHIP	1μF		6.3V
						C1045	1-100-916-11	CERAMIC CHIP	0.1μF	10%	16V
<b>A-1436-396-A TUU2 BLOCK ASSEMBLY</b> (If the tuner needs to be replaced, the complete TUU2 Board must be replaced. The tuner cannot be ordered separately.)						C1046	1-100-916-11	CERAMIC CHIP	0.1μF	10%	16V
						C1047	1-114-148-11	CERAMIC CHIP	1μF		6.3V
<b>CAPACITOR</b>						C1048	1-100-916-11	CERAMIC CHIP	0.1μF	10%	16V
						C1049	1-100-916-11	CERAMIC CHIP	0.1μF	10%	16V
C1000	1-112-777-11	CERAMIC CHIP	0.01μF	10%	25V	C1050	1-114-148-11	CERAMIC CHIP	1μF		6.3V
C1001	1-114-148-11	CERAMIC CHIP	1μF		6.3V	C1051	1-100-916-11	CERAMIC CHIP	0.1μF	10%	16V
C1002	1-112-777-11	CERAMIC CHIP	0.01μF	10%	25V	C1052	1-100-916-11	CERAMIC CHIP	0.1μF	10%	16V
C1003	1-100-905-11	CERAMIC CHIP	0.001μF	10%	50V	C1053	1-100-916-11	CERAMIC CHIP	0.1μF	10%	16V
C1004	1-128-361-11	ELECT CHIP	470μF	20%	10V	C1054	1-100-909-11	CERAMIC CHIP	10μF	10%	6.3V
C1005	1-112-777-11	CERAMIC CHIP	0.01μF	10%	25V	C1055	1-100-916-11	CERAMIC CHIP	0.1μF	10%	16V
C1006	1-100-905-11	CERAMIC CHIP	0.001μF	10%	50V	C1056	1-100-916-11	CERAMIC CHIP	0.1μF	10%	16V
C1007	1-110-648-11	ELECT CHIP	220μF	20%	25V	C1057	1-100-916-11	CERAMIC CHIP	0.1μF	10%	16V
C1008	1-112-066-11	CERAMIC CHIP	10μF	10%	10V	C1058	1-164-862-11	CERAMIC CHIP	33pF	5%	50V
C1009	1-164-941-11	CERAMIC CHIP	0.0047μF	10%	16V	C1059	1-164-864-11	CERAMIC CHIP	39pF	5%	50V
C1010	1-112-794-11	ELECT CHIP	470μF	20%	16V	C1060	1-164-862-11	CERAMIC CHIP	33pF	5%	50V
C1012	1-135-366-11	ELECT CHIP	100μF	20%	16V	C1061	1-100-916-11	CERAMIC CHIP	0.1μF	10%	16V
C1019	1-100-909-11	CERAMIC CHIP	10μF	10%	6.3V	C1062	1-100-916-11	CERAMIC CHIP	0.1μF	10%	16V
C1020	1-100-909-11	CERAMIC CHIP	10μF	10%	6.3V	C1063	1-100-916-11	CERAMIC CHIP	0.1μF	10%	16V
C1021	1-100-909-11	CERAMIC CHIP	10μF	10%	6.3V	C1064	1-100-916-11	CERAMIC CHIP	0.1μF	10%	16V
C1022	1-100-916-11	CERAMIC CHIP	0.1μF	10%	16V	C1065	1-100-916-11	CERAMIC CHIP	0.1μF	10%	16V
C1023	1-112-777-11	CERAMIC CHIP	0.01μF	10%	25V	C1066	1-100-916-11	CERAMIC CHIP	0.1μF	10%	16V
C1024	1-100-905-11	CERAMIC CHIP	0.001μF	10%	50V	C1067	1-100-916-11	CERAMIC CHIP	0.1μF	10%	16V
C1025	1-100-909-11	CERAMIC CHIP	10μF	10%	6.3V	C1068	1-100-916-11	CERAMIC CHIP	0.1μF	10%	16V
C1026	1-114-148-11	CERAMIC CHIP	1μF		6.3V	C1069	1-100-916-11	CERAMIC CHIP	0.1μF	10%	16V
C1027	1-114-148-11	CERAMIC CHIP	1μF		6.3V	C1070	1-100-909-11	CERAMIC CHIP	10μF	10%	6.3V
C1028	1-114-148-11	CERAMIC CHIP	1μF		6.3V	C1071	1-164-868-11	CERAMIC CHIP	56pF	5%	50V
C1029	1-114-148-11	CERAMIC CHIP	1μF		6.3V	C1072	1-164-858-11	CERAMIC CHIP	22pF	5%	50V
C1030	1-114-148-11	CERAMIC CHIP	1μF		6.3V	C1073	1-164-868-11	CERAMIC CHIP	56pF	5%	50V
C1031	1-114-148-11	CERAMIC CHIP	1μF		6.3V	C1074	1-164-858-11	CERAMIC CHIP	22pF	5%	50V
C1032	1-100-916-11	CERAMIC CHIP	0.1μF	10%	16V	C1075	1-100-916-11	CERAMIC CHIP	0.1μF	10%	16V
C1033	1-100-916-11	CERAMIC CHIP	0.1μF	10%	16V	C1076	1-100-916-11	CERAMIC CHIP	0.1μF	10%	16V
C1034	1-100-916-11	CERAMIC CHIP	0.1μF	10%	16V	C1077	1-100-916-11	CERAMIC CHIP	0.1μF	10%	16V
C1035	1-100-916-11	CERAMIC CHIP	0.1μF	10%	16V	C1078	1-100-916-11	CERAMIC CHIP	0.1μF	10%	16V
C1036	1-100-916-11	CERAMIC CHIP	0.1μF	10%	16V	C1079	1-100-916-11	CERAMIC CHIP	0.1μF	10%	16V
C1037	1-100-916-11	CERAMIC CHIP	0.1μF	10%	16V	C1080	1-100-916-11	CERAMIC CHIP	0.1μF	10%	16V
C1038	1-100-916-11	CERAMIC CHIP	0.1μF	10%	16V	C1081	1-100-916-11	CERAMIC CHIP	0.1μF	10%	16V
C1039	1-100-916-11	CERAMIC CHIP	0.1μF	10%	16V	C1082	1-100-916-11	CERAMIC CHIP	0.1μF	10%	16V
C1040	1-100-916-11	CERAMIC CHIP	0.1μF	10%	16V	C1083	1-164-864-11	CERAMIC CHIP	39pF	5%	50V
C1041	1-100-916-11	CERAMIC CHIP	0.1μF	10%	16V	C1084	1-164-858-11	CERAMIC CHIP	22pF	5%	50V
C1042	1-100-916-11	CERAMIC CHIP	0.1μF	10%	16V	C1085	1-164-858-11	CERAMIC CHIP	22pF	5%	50V
C1043	1-100-916-11	CERAMIC CHIP	0.1μF	10%	16V	C1086	1-100-916-11	CERAMIC CHIP	0.1μF	10%	16V



TUU2
------

REF. NO.	PART NO.	DESCRIPTION	VALUES	REF. NO.	PART NO.	DESCRIPTION	VALUES
<b><u>EARTH TERMINAL</u></b>				<b><u>COIL</u></b>			
ET1000	1-780-482-11	EARTH TERMINAL		L1000	1-469-555-21	INDUCTOR	10μH
ET1001	1-780-482-11	EARTH TERMINAL		L1001	1-456-786-21	INDUCTOR	47μH
ET1002	1-780-482-11	EARTH TERMINAL		L1003	1-412-974-41	INDUCTOR	0.39μH
ET1003	1-780-482-11	EARTH TERMINAL		L1005	1-412-974-41	INDUCTOR	0.39μH
ET1004	1-780-482-11	EARTH TERMINAL		L1006	1-412-973-11	INDUCTOR	0.33μH
ET1005	1-780-482-11	EARTH TERMINAL		L1008	1-412-971-31	INDUCTOR	0.22μH
ET1006	1-780-482-11	EARTH TERMINAL		L1009	1-412-971-31	INDUCTOR	0.22μH
ET1007	1-780-482-11	EARTH TERMINAL		L1010	1-412-973-11	INDUCTOR	0.33μH
				L1011	1-469-555-21	INDUCTOR	10μH
				L1012	1-469-555-21	INDUCTOR	10μH
<b><u>FUSE</u></b>							
F1200	1-576-415-11	FUSE	2A 32V	L1013	1-412-975-31	INDUCTOR	0.47μH
				L1014	1-412-975-31	INDUCTOR	0.47μH
				L1015	1-469-555-21	INDUCTOR	10μH
				L1016	1-469-555-21	INDUCTOR	10μH
				L1017	1-469-555-21	INDUCTOR	10μH
				L1018	1-469-555-21	INDUCTOR	10μH
				L1019	1-469-555-21	INDUCTOR	10μH
				L1200	1-416-740-11	INDUCTOR	10μH
<b><u>FERRITE BEAD</u></b>				<b><u>TRANSISTOR</u></b>			
FB1000	1-400-794-21	FERRITE	0μH	Q1003	8-729-620-07	TRANSISTOR	2SC3052EF-T1-LEF
FB1001	1-414-226-21	FERRITE	0μH	Q1006	6-551-699-01	TRANSISTOR	ISA1602AM1TP-1EF
FB1002	1-414-226-21	FERRITE	0μH	Q1007	8-729-620-07	TRANSISTOR	2SC3052EF-T1-LEF
FB1003	1-414-229-11	FERRITE	0μH	Q1011	6-551-696-01	TRANSISTOR	ISA1235AC1TP-1EF
FB1004	1-414-229-11	FERRITE	0μH	Q1014	6-551-699-01	TRANSISTOR	ISA1602AM1TP-1EF
FB1005	1-414-226-21	FERRITE	0μH				
FB1006	1-414-229-11	FERRITE	0μH	Q1019	8-729-620-13	TRANSISTOR	2SC4154TP-1EF
FB1007	1-414-229-11	FERRITE	0μH	Q1020	6-551-150-01	TRANSISTOR	RT2A00M-TP
FB1008	1-414-229-11	FERRITE	0μH	Q1200	8-729-046-04	TRANSISTOR	FDS6690A
FB1009	1-500-329-21	FERRITE	0μH	Q1201	6-551-272-01	TRANSISTOR	RT3CLLM
FB1010	1-500-329-21	FERRITE	0μH	Q1300	6-551-272-01	TRANSISTOR	RT3CLLM
FB1011	1-400-089-21	FERRITE	0μH				
FB1013	1-400-089-21	FERRITE	0μH				
FB1014	1-400-089-21	FERRITE	0μH				
FB1300	1-500-283-11	FERRITE	0μH				
FB1301	1-500-283-11	FERRITE	0μH				
<b><u>IC</u></b>				<b><u>RESISTOR</u></b>			
IC1000	8-759-338-95	IC	NJM2903V(TE2)	R1006	1-218-969-11	RES-CHIP	22K 5% 1/16W
IC1001	6-709-441-01	IC	SI8008TM-TL	R1007	1-208-928-11	METAL CHIP	51K 0.50% 1/16W
IC1002	6-711-063-01	IC	218T312ZGA21G	R1009	1-218-941-81	RES-CHIP	100 5% 1/16W
IC1003	8-759-058-43	IC	NJM3404AV	R1011	1-208-928-11	METAL CHIP	51K 0.50% 1/16W
IC1004	6-709-556-01	IC	NJM2846DL3-05(TE2)	R1012	1-218-969-11	RES-CHIP	22K 5% 1/16W
IC1006	6-708-171-01	IC	MIC5235YM5TR	R1015	1-218-941-81	RES-CHIP	100 5% 1/16W
IC1007	6-706-838-01	IC	MM1661JHBE	R1016	1-218-941-81	RES-CHIP	100 5% 1/16W
IC1008	6-709-584-01	IC	MM1663DHBE	R1017	1-218-941-81	RES-CHIP	100 5% 1/16W
IC1009	6-706-087-01	IC	PST3645NR	R1018	1-218-965-11	RES-CHIP	10K 5% 1/16W
				R1019	1-218-970-11	RES-CHIP	27K 5% 1/16W

TUU2
------

REF. NO.	PART NO.	DESCRIPTION	VALUES			REF. NO.	PART NO.	DESCRIPTION	VALUES		
R1022	1-220-174-11	RES-CHIP	200	5%	1/16W	R1095	1-208-697-11	METAL CHIP	3.9K	0.50%	1/16W
R1023	1-208-683-11	METAL CHIP	1K	0.50%	1/16W	R1096	1-218-958-11	RES-CHIP	2.7K	5%	1/16W
R1025	1-208-697-11	METAL CHIP	3.9K	0.50%	1/16W	R1097	1-208-691-11	METAL CHIP	2.2K	0.50%	1/16W
R1026	1-218-929-11	RES-CHIP	10	5%	1/16W	R1098	1-218-989-11	RES-CHIP	1M	5%	1/16W
R1027	1-218-929-11	RES-CHIP	10	5%	1/16W	R1105	1-218-941-81	RES-CHIP	100	5%	1/16W
R1035	1-220-803-81	RES-CHIP	4.7	5%	1/16W	R1106	1-218-948-11	RES-CHIP	390	5%	1/16W
R1036	1-220-803-81	RES-CHIP	4.7	5%	1/16W	R1107	1-208-691-11	METAL CHIP	2.2K	0.50%	1/16W
R1037	1-218-990-81	SHORT CHIP				R1108	1-218-990-81	SHORT CHIP			
R1038	1-218-949-11	RES-CHIP	470	5%	1/16W	R1109	1-218-961-11	RES-CHIP	4.7K	5%	1/16W
R1040	1-218-953-11	RES-CHIP	1K	5%	1/16W	R1110	1-218-941-81	RES-CHIP	100	5%	1/16W
R1041	1-218-953-11	RES-CHIP	1K	5%	1/16W	R1112	1-218-941-81	RES-CHIP	100	5%	1/16W
R1042	1-218-953-11	RES-CHIP	1K	5%	1/16W	R1114	1-218-965-11	RES-CHIP	10K	5%	1/16W
R1043	1-218-929-11	RES-CHIP	10	5%	1/16W	R1115	1-218-978-11	RES-CHIP	120K	5%	1/16W
R1044	1-208-711-11	METAL CHIP	15K	0.50%	1/16W	R1116	1-218-990-81	SHORT CHIP			
R1045	1-208-711-11	METAL CHIP	15K	0.50%	1/16W	R1128	1-218-957-11	RES-CHIP	2.2K	5%	1/16W
R1046	1-218-941-81	RES-CHIP	100	5%	1/16W	R1129	1-218-957-11	RES-CHIP	2.2K	5%	1/16W
R1047	1-218-941-81	RES-CHIP	100	5%	1/16W	R1130	1-218-929-11	RES-CHIP	10	5%	1/16W
R1048	1-218-929-11	RES-CHIP	10	5%	1/16W	R1131	1-218-990-81	SHORT CHIP			
R1050	1-218-953-11	RES-CHIP	1K	5%	1/16W	R1132	1-218-990-81	SHORT CHIP			
R1053	1-218-990-81	SHORT CHIP				R1133	1-218-990-81	SHORT CHIP			
R1054	1-218-990-81	SHORT CHIP				R1134	1-218-969-11	RES-CHIP	22K	5%	1/16W
R1055	1-218-929-11	RES-CHIP	10	5%	1/16W	R1136	1-218-985-11	RES-CHIP	470K	5%	1/16W
R1058	1-218-929-11	RES-CHIP	10	5%	1/16W	R1137	1-208-931-11	METAL CHIP	68K	0.50%	1/16W
R1059	1-218-990-81	SHORT CHIP				R1138	1-218-990-81	SHORT CHIP			
R1060	1-218-929-11	RES-CHIP	10	5%	1/16W	R1139	1-208-703-11	METAL CHIP	6.8K	0.50%	1/16W
R1061	1-218-990-81	SHORT CHIP				R1140	1-218-933-11	RES-CHIP	22	5%	1/16W
R1064	1-218-990-81	SHORT CHIP				R1141	1-218-933-11	RES-CHIP	22	5%	1/16W
R1065	1-218-961-11	RES-CHIP	4.7K	5%	1/16W	R1142	1-218-933-11	RES-CHIP	22	5%	1/16W
R1066	1-218-970-11	RES-CHIP	27K	5%	1/16W	R1143	1-218-933-11	RES-CHIP	22	5%	1/16W
R1067	1-218-941-81	RES-CHIP	100	5%	1/16W	R1148	1-218-929-11	RES-CHIP	10	5%	1/16W
R1070	1-208-929-81	METAL CHIP	56K	0.50%	1/16W	R1149	1-218-929-11	RES-CHIP	10	5%	1/16W
R1072	1-218-949-11	RES-CHIP	470	5%	1/16W	R1156	1-218-965-11	RES-CHIP	10K	5%	1/16W
R1073	1-208-939-11	METAL CHIP	150K	0.50%	1/16W	R1159	1-218-965-11	RES-CHIP	10K	5%	1/16W
R1076	1-218-959-11	RES-CHIP	3.3K	5%	1/16W	R1160	1-218-990-81	SHORT CHIP			
R1077	1-218-989-11	RES-CHIP	1M	5%	1/16W	R1161	1-208-927-11	METAL CHIP	47K	0.50%	1/16W
R1078	1-218-965-11	RES-CHIP	10K	5%	1/16W	R1162	1-218-990-81	SHORT CHIP			
R1079	1-218-965-11	RES-CHIP	10K	5%	1/16W	R1163	1-208-927-11	METAL CHIP	47K	0.50%	1/16W
R1086	1-218-953-11	RES-CHIP	1K	5%	1/16W	R1165	1-218-953-11	RES-CHIP	1K	5%	1/16W
R1087	1-208-935-11	METAL CHIP	100K	0.50%	1/16W	R1167	1-208-905-11	METAL CHIP	5.6K	0.50%	1/16W
R1088	1-218-965-11	RES-CHIP	10K	5%	1/16W	R1169	1-218-990-81	SHORT CHIP			
R1089	1-218-953-11	RES-CHIP	1K	5%	1/16W	R1175	1-218-990-81	SHORT CHIP			
R1090	1-218-958-11	RES-CHIP	2.7K	5%	1/16W	R1200	1-218-953-11	RES-CHIP	1K	5%	1/16W
R1091	1-208-683-11	METAL CHIP	1K	0.50%	1/16W	R1201	1-218-947-11	RES-CHIP	330	5%	1/16W
R1093	1-208-691-11	METAL CHIP	2.2K	0.50%	1/16W	R1202	1-218-965-11	RES-CHIP	10K	5%	1/16W
R1094	1-218-990-81	SHORT CHIP				R1203	1-218-941-81	RES-CHIP	100	5%	1/16W



REF. NO.	PART NO.	DESCRIPTION	VALUES			REF. NO.	PART NO.	DESCRIPTION	VALUES		
R1205	1-218-961-11	RES-CHIP	4.7K	5%	1/16W	C029	1-100-912-11	CERAMIC CHIP	1μF	10%	25V
R1207	1-218-961-11	RES-CHIP	4.7K	5%	1/16W	C032	1-100-672-11	CERAMIC CHIP	10μF	20%	16V
R1208	1-218-953-11	RES-CHIP	1K	5%	1/16W	C033	1-112-066-11	CERAMIC CHIP	10μF	10%	10V
R1209	1-218-961-11	RES-CHIP	4.7K	5%	1/16W						
R1211	1-208-927-11	METAL CHIP	47K	0.50%	1/16W	C036	1-100-911-11	CERAMIC CHIP	4.7μF	10%	25V
						C037	1-100-911-11	CERAMIC CHIP	4.7μF	10%	25V
R1300	1-218-959-11	RES-CHIP	3.3K	5%	1/16W	C201	1-100-765-21	ELECT CHIP	10μF	20%	16V
R1301	1-218-959-11	RES-CHIP	3.3K	5%	1/16W	C202	1-100-765-21	ELECT CHIP	10μF	20%	16V
R1302	1-218-958-11	RES-CHIP	2.7K	5%	1/16W	C203	1-100-765-21	ELECT CHIP	10μF	20%	16V
R1303	1-208-911-11	METAL CHIP	10K	0.50%	1/16W						
R1400	1-218-965-11	RES-CHIP	10K	5%	1/16W	C204	1-100-765-21	ELECT CHIP	10μF	20%	16V
						C205	1-100-765-21	ELECT CHIP	10μF	20%	16V
R1401	1-218-965-11	RES-CHIP	10K	5%	1/16W	C206	1-100-765-21	ELECT CHIP	10μF	20%	16V
R1402	1-218-965-11	RES-CHIP	10K	5%	1/16W	C207	1-100-765-21	ELECT CHIP	10μF	20%	16V
						C208	1-100-765-21	ELECT CHIP	10μF	20%	16V
						C209	1-100-765-21	ELECT CHIP	10μF	20%	16V
						C210	1-100-765-21	ELECT CHIP	10μF	20%	16V
						C211	1-114-325-11	CERAMIC CHIP	0.1μF	10%	25V
						C212	1-100-766-21	ELECT CHIP	47μF	20%	16V
						C213	1-100-916-11	CERAMIC CHIP	0.1μF	10%	16V
						C214	1-135-366-11	ELECT CHIP	100μF	20%	16V
						C215	1-100-912-11	CERAMIC CHIP	1μF	10%	25V
						C216	1-114-327-11	CERAMIC CHIP	1μF	10%	16V
						C217	1-114-327-11	CERAMIC CHIP	1μF	10%	16V
						C218	1-114-327-11	CERAMIC CHIP	1μF	10%	16V
						C219	1-114-330-11	CERAMIC CHIP	2.2μF	10%	16V
						C220	1-114-325-11	CERAMIC CHIP	0.1μF	10%	25V
						C221	1-114-330-11	CERAMIC CHIP	2.2μF	10%	16V
						C222	1-114-330-11	CERAMIC CHIP	2.2μF	10%	16V
						C223	1-114-330-11	CERAMIC CHIP	2.2μF	10%	16V
						C224	1-100-912-11	CERAMIC CHIP	1μF	10%	25V
						C232	1-100-912-11	CERAMIC CHIP	1μF	10%	25V
						C233	1-100-916-11	CERAMIC CHIP	0.1μF	10%	16V
						C234	1-135-366-11	ELECT CHIP	100μF	20%	16V
						C235	1-114-330-11	CERAMIC CHIP	2.2μF	10%	16V
						C236	1-114-330-11	CERAMIC CHIP	2.2μF	10%	16V
						C237	1-114-330-11	CERAMIC CHIP	2.2μF	10%	16V
						C238	1-114-330-11	CERAMIC CHIP	2.2μF	10%	16V
						C239	1-114-330-11	CERAMIC CHIP	2.2μF	10%	16V
						C240	1-114-330-11	CERAMIC CHIP	2.2μF	10%	16V
						C244	1-100-766-21	ELECT CHIP	47μF	20%	16V
						C245	1-114-354-11	CAP, CERAMIC	0.1		MF X7R (1410)
						C247	1-114-325-11	CERAMIC CHIP	0.1μF	10%	25V
						C250	1-114-327-11	CERAMIC CHIP	1μF	10%	16V
						C254	1-114-327-11	CERAMIC CHIP	1μF	10%	16V

**CRYSTAL**

X1000 1-813-946-21 VIBRATOR, CRYSTAL

**A-1273-123-A U BOARD, COMPLETE****CAPACITOR**

C001	1-112-692-11	CERAMIC CHIP	1000pF	5%	50V
C002	1-112-692-11	CERAMIC CHIP	1000pF	5%	50V
C003	1-164-874-11	CERAMIC CHIP	100pF	5%	50V
C004	1-164-874-11	CERAMIC CHIP	100pF	5%	50V
C005	1-164-874-11	CERAMIC CHIP	100pF	5%	50V
C006	1-164-870-11	CERAMIC CHIP	68pF	5%	50V
C007	1-114-325-11	CERAMIC CHIP	0.1μF	10%	25V
C008	1-164-874-11	CERAMIC CHIP	100pF	5%	50V
C009	1-100-911-11	CERAMIC CHIP	4.7μF	10%	25V
C010	1-114-325-11	CERAMIC CHIP	0.1μF	10%	25V
C011	1-114-325-11	CERAMIC CHIP	0.1μF	10%	25V
C012	1-100-911-11	CERAMIC CHIP	4.7μF	10%	25V
C013	1-100-911-11	CERAMIC CHIP	4.7μF	10%	25V
C014	1-100-597-91	CERAMIC CHIP	0.1μF	10%	25V
C019	1-100-672-11	CERAMIC CHIP	10μF	20%	16V
C020	1-100-672-11	CERAMIC CHIP	10μF	20%	16V
C021	1-114-325-11	CERAMIC CHIP	0.1μF	10%	25V
C022	1-114-325-11	CERAMIC CHIP	0.1μF	10%	25V
C023	1-164-874-11	CERAMIC CHIP	100pF	5%	50V
C024	1-164-874-11	CERAMIC CHIP	100pF	5%	50V
C025	1-100-912-11	CERAMIC CHIP	1μF	10%	25V
C028	1-100-912-11	CERAMIC CHIP	1μF	10%	25V





REF. NO.	PART NO.	DESCRIPTION	VALUES			REF. NO.	PART NO.	DESCRIPTION	VALUES		
C255	1-112-777-11	CERAMIC CHIP	0.01μF	10%	25V	C428	1-112-672-81	CERAMIC CHIP	330pF	5%	50V
C256	1-114-327-11	CERAMIC CHIP	1μF	10%	16V	C429	1-112-672-81	CERAMIC CHIP	330pF	5%	50V
C257	1-112-777-11	CERAMIC CHIP	0.01μF	10%	25V	C430	1-100-911-11	CERAMIC CHIP	4.7μF	10%	25V
C258	1-100-672-11	CERAMIC CHIP	10μF	20%	16V	C431	1-100-905-11	CERAMIC CHIP	0.001μF	10%	50V
C259	1-100-672-11	CERAMIC CHIP	10μF	20%	16V	C432	1-100-905-11	CERAMIC CHIP	0.001μF	10%	50V
C260	1-100-916-11	CERAMIC CHIP	0.1μF	10%	16V	C433	1-100-911-11	CERAMIC CHIP	4.7μF	10%	25V
C261	1-100-916-11	CERAMIC CHIP	0.1μF	10%	16V	C435	1-135-366-11	ELECT CHIP	100μF	20%	16V
C264	1-135-366-11	ELECT CHIP	100μF	20%	16V	C436	1-112-672-81	CERAMIC CHIP	330pF	5%	50V
C265	1-100-916-11	CERAMIC CHIP	0.1μF	10%	16V	C437	1-112-672-81	CERAMIC CHIP	330pF	5%	50V
C267	1-100-916-11	CERAMIC CHIP	0.1μF	10%	16V	C438	1-100-916-11	CERAMIC CHIP	0.1μF	10%	16V
C268	1-112-777-11	CERAMIC CHIP	0.01μF	10%	25V	C439	1-114-130-11	CERAMIC CHIP	1μF		6.3V
C269	1-100-766-21	ELECT CHIP	47μF	20%	16V	C440	1-114-130-11	CERAMIC CHIP	1μF		6.3V
C271	1-100-916-11	CERAMIC CHIP	0.1μF	10%	16V	C442	1-114-399-21	ELECT CHIP	47μF	20%	6.3V
C273	1-100-916-11	CERAMIC CHIP	0.1μF	10%	16V	C443	1-100-916-11	CERAMIC CHIP	0.1μF	10%	16V
C274	1-100-672-11	CERAMIC CHIP	10μF	20%	16V	C444	1-114-399-21	ELECT CHIP	47μF	20%	6.3V
C275	1-100-672-11	CERAMIC CHIP	10μF	20%	16V	C445	1-100-905-11	CERAMIC CHIP	0.001μF	10%	50V
C276	1-164-866-11	CERAMIC CHIP	47pF	5%	50V	C446	1-100-672-11	CERAMIC CHIP	10μF	20%	16V
C277	1-164-866-11	CERAMIC CHIP	47pF	5%	50V	C447	1-100-672-11	CERAMIC CHIP	10μF	20%	16V
C278	1-114-327-11	CERAMIC CHIP	1μF	10%	16V	C448	1-114-399-21	ELECT CHIP	47μF	20%	6.3V
C279	1-100-765-21	ELECT CHIP	10μF	20%	16V	C449	1-100-916-11	CERAMIC CHIP	0.1μF	10%	16V
C280	1-100-765-21	ELECT CHIP	10μF	20%	16V	C450	1-100-672-11	CERAMIC CHIP	10μF	20%	16V
C281	1-100-765-21	ELECT CHIP	10μF	20%	16V	C451	1-100-672-11	CERAMIC CHIP	10μF	20%	16V
C282	1-100-765-21	ELECT CHIP	10μF	20%	16V	C455	1-128-357-11	ELECT CHIP	10μF	20%	16V
C283	1-100-916-11	CERAMIC CHIP	0.1μF	10%	16V	C456	1-128-357-11	ELECT CHIP	10μF	20%	16V
C284	1-114-353-11	CAP, CERAMIC	0.01		MF X7R (1410)	C457	1-114-330-11	CERAMIC CHIP	2.2μF	10%	16V
C401	1-135-366-11	ELECT CHIP	100μF	20%	16V	C458	1-162-979-11	CERAMIC CHIP	0.0027μF	10%	50V
C403	1-100-905-11	CERAMIC CHIP	0.001μF	10%	50V	C459	1-162-979-11	CERAMIC CHIP	0.0027μF	10%	50V
C404	1-112-046-11	CERAMIC CHIP	4.7μF	10%	6.3V	C460	1-100-766-21	ELECT CHIP	47μF	20%	16V
C405	1-100-905-11	CERAMIC CHIP	0.001μF	10%	50V	C461	1-112-672-81	CERAMIC CHIP	330pF	5%	50V
C406	1-114-130-11	CERAMIC CHIP	1μF		6.3V	C462	1-112-672-81	CERAMIC CHIP	330pF	5%	50V
C407	1-114-399-21	ELECT CHIP	47μF	20%	6.3V	C463	1-135-367-21	ELECT CHIP	33μF	20%	25V
C408	1-100-911-11	CERAMIC CHIP	4.7μF	10%	25V	C464	1-135-367-21	ELECT CHIP	33μF	20%	25V
C409	1-100-905-11	CERAMIC CHIP	0.001μF	10%	50V	C465	1-100-916-11	CERAMIC CHIP	0.1μF	10%	16V
C411	1-114-130-11	CERAMIC CHIP	1μF		6.3V	C466	1-100-765-21	ELECT CHIP	10μF	20%	16V
C412	1-164-852-11	CERAMIC CHIP	12pF	5%	50V	C467	1-100-765-21	ELECT CHIP	10μF	20%	16V
C413	1-112-046-11	CERAMIC CHIP	4.7μF	10%	6.3V	C468	1-100-766-21	ELECT CHIP	47μF	20%	16V
C415	1-100-905-11	CERAMIC CHIP	0.001μF	10%	50V	C469	1-100-905-11	CERAMIC CHIP	0.001μF	10%	50V
C417	1-164-850-11	CERAMIC CHIP	10pF	0.50pF	50V	C470	1-100-905-11	CERAMIC CHIP	0.001μF	10%	50V
C418	1-100-916-11	CERAMIC CHIP	0.1μF	10%	16V	C471	1-100-766-21	ELECT CHIP	47μF	20%	16V
C420	1-100-905-11	CERAMIC CHIP	0.001μF	10%	50V	C472	1-164-874-11	CERAMIC CHIP	100pF	5%	50V
C422	1-114-399-21	ELECT CHIP	47μF	20%	6.3V	C473	1-164-874-11	CERAMIC CHIP	100pF	5%	50V
C424	1-114-399-21	ELECT CHIP	47μF	20%	6.3V	C476	1-100-916-11	CERAMIC CHIP	0.1μF	10%	16V
C425	1-100-905-11	CERAMIC CHIP	0.001μF	10%	50V	C601	1-100-911-11	CERAMIC CHIP	4.7μF	10%	25V
C426	1-112-046-11	CERAMIC CHIP	4.7μF	10%	6.3V	C602	1-135-366-11	ELECT CHIP	100μF	20%	16V
C427	1-100-916-11	CERAMIC CHIP	0.1μF	10%	16V	C603	1-114-325-11	CERAMIC CHIP	0.1μF	10%	25V





REF. NO.	PART NO.	DESCRIPTION	VALUES			REF. NO.	PART NO.	DESCRIPTION	VALUES		
Q407	8-729-027-43	TRANSISTOR	DTC114EKA-T146			R206	1-216-864-11	SHORT CHIP			
Q601	6-551-690-01	TRANSISTOR	RT3N11M-TP-1			R207	1-216-864-11	SHORT CHIP			
	<b>RESISTOR</b>					R208	1-216-864-11	SHORT CHIP			
R001	1-218-969-11	RES-CHIP	22K	5%	1/16W	R209	1-216-864-11	SHORT CHIP			
R002	1-218-969-11	RES-CHIP	22K	5%	1/16W	R210	1-218-939-11	RES-CHIP	68	5%	1/16W
R003	1-218-990-81	SHORT CHIP				R211	1-218-938-11	RES-CHIP	56	5%	1/16W
R004	1-218-990-81	SHORT CHIP				R212	1-218-938-11	RES-CHIP	56	5%	1/16W
R005	1-208-911-11	METAL CHIP	10K	0.50%	1/16W	R214	1-218-839-11	METAL CHIP	470	0.50%	1/10W
R006	1-208-893-11	METAL CHIP	1.8K	0.50%	1/16W	R216	1-216-864-11	SHORT CHIP			
R007	1-208-893-11	METAL CHIP	1.8K	0.50%	1/16W	R218	1-218-839-11	METAL CHIP	470	0.50%	1/10W
R008	1-208-691-11	METAL CHIP	2.2K	0.50%	1/16W	R220	1-218-839-11	METAL CHIP	470	0.50%	1/10W
R009	1-208-889-11	METAL CHIP	1.2K	0.50%	1/16W	R222	1-208-635-11	METAL CHIP	10	0.50%	1/16W
R010	1-208-909-11	METAL CHIP	8.2K	0.50%	1/16W	R223	1-208-635-11	METAL CHIP	10	0.50%	1/16W
R011	1-218-967-11	RES-CHIP	15K	5%	1/16W	R224	1-208-635-11	METAL CHIP	10	0.50%	1/16W
R012	1-218-965-11	RES-CHIP	10K	5%	1/16W	R226	1-218-983-11	RES-CHIP	330K	5%	1/16W
R013	1-218-973-11	RES-CHIP	47K	5%	1/16W	R227	1-218-983-11	RES-CHIP	330K	5%	1/16W
R014	1-218-990-81	SHORT CHIP				R228	1-218-983-11	RES-CHIP	330K	5%	1/16W
R015	1-218-990-81	SHORT CHIP				R229	1-216-815-11	METAL CHIP	330	5%	1/10W
R016	1-218-990-81	SHORT CHIP				R230	1-218-933-11	RES-CHIP	22	5%	1/16W
R017	1-218-990-81	SHORT CHIP				R231	1-216-815-11	METAL CHIP	330	5%	1/10W
R018	1-218-990-81	SHORT CHIP				R232	1-218-933-11	RES-CHIP	22	5%	1/16W
R020	1-218-953-11	RES-CHIP	1K	5%	1/16W	R233	1-216-815-11	METAL CHIP	330	5%	1/10W
R022	1-218-958-11	RES-CHIP	2.7K	5%	1/16W	R234	1-216-864-11	SHORT CHIP			
R023	1-218-948-11	RES-CHIP	390	5%	1/16W	R235	1-218-941-81	RES-CHIP	100	5%	1/16W
R024	1-208-683-11	METAL CHIP	1K	0.50%	1/16W	R236	1-216-864-11	SHORT CHIP			
R025	1-208-679-11	METAL CHIP	680	0.50%	1/16W	R237	1-218-933-11	RES-CHIP	22	5%	1/16W
R026	1-208-683-11	METAL CHIP	1K	0.50%	1/16W	R238	1-218-941-81	RES-CHIP	100	5%	1/16W
R027	1-208-683-11	METAL CHIP	1K	0.50%	1/16W	R239	1-218-941-81	RES-CHIP	100	5%	1/16W
R028	1-218-958-11	RES-CHIP	2.7K	5%	1/16W	R240	1-218-941-81	RES-CHIP	100	5%	1/16W
R029	1-218-958-11	RES-CHIP	2.7K	5%	1/16W	R241	1-218-941-81	RES-CHIP	100	5%	1/16W
R030	1-208-691-11	METAL CHIP	2.2K	0.50%	1/16W	R242	1-218-941-81	RES-CHIP	100	5%	1/16W
R031	1-218-990-81	SHORT CHIP				R243	1-218-941-81	RES-CHIP	100	5%	1/16W
R032	1-218-990-81	SHORT CHIP				R244	1-218-941-81	RES-CHIP	100	5%	1/16W
R033	1-216-864-11	SHORT CHIP				R245	1-218-975-11	RES-CHIP	68K	5%	1/16W
R034	1-216-864-11	SHORT CHIP				R246	1-218-975-11	RES-CHIP	68K	5%	1/16W
R035	1-216-864-11	SHORT CHIP				R247	1-218-941-81	RES-CHIP	100	5%	1/16W
R036	1-216-864-11	SHORT CHIP				R250	1-208-683-11	METAL CHIP	1K	0.50%	1/16W
R037	1-218-965-11	RES-CHIP	10K	5%	1/16W	R253	1-218-990-81	SHORT CHIP			
R201	1-218-990-81	SHORT CHIP				R254	1-218-990-81	SHORT CHIP			
R202	1-218-990-81	SHORT CHIP				R255	1-208-911-11	METAL CHIP	10K	0.50%	1/16W
R203	1-218-990-81	SHORT CHIP				R256	1-218-941-81	RES-CHIP	100	5%	1/16W
R204	1-216-864-11	SHORT CHIP				R261	1-218-968-11	RES-CHIP	18K	5%	1/16W
R205	1-216-864-11	SHORT CHIP				R262	1-218-990-81	SHORT CHIP			
						R263	1-218-968-11	RES-CHIP	18K	5%	1/16W
						R265	1-218-949-11	RES-CHIP	470	5%	1/16W










REF. NO.	PART NO.	DESCRIPTION	VALUES	REF. NO.	PART NO.	DESCRIPTION	VALUES
*	3-212-213-01	CUSHION, LOWER (KDS-50A3000 ONLY)			<b><u>MISCELLANEOUS</u></b>		
*	3-212-218-01	CUSHION, LOWER (KDS-55A3000 ONLY)			1-500-418-11	CORE	
*	3-212-223-01	CUSHION, LOWER (KDS-60A3000 ONLY)			1-834-390-11	P-F CABLE	
*	3-212-212-01	CUSHION, UPPER (KDS-50A3000 ONLY)			1-480-180-11	POWER SUPPLY BLOCK	
*	3-212-217-01	CUSHION, UPPER (KDS-55A3000 ONLY)		*	2-580-626-01	SCREW, SP 4-40 UNC	
*	3-212-222-01	CUSHION, UPPER (KDS-60A3000 ONLY)			4-069-570-21	SPACER, PWB	
	3-212-543-11	GUIDE, QUICK SET UP (ENGLISH VERSION)			3-275-116-01	TAPE, PE 100	
	3-212-543-21	GUIDE, QUICK SET UP (FRENCH VERSION)			3-275-118-21	TAPE, DOUBLE ADHESIVE	
	3-212-543-31	GUIDE, QUICK SET UP (SPANISH VERSION)			3-276-306-01	WASHER, RF	
	3-212-542-11	MANUAL, INSTRUCTION (ENGLISH VERSION)			2-345-164-11	WIRE SADDLE	
	3-212-542-21	MANUAL, INSTRUCTION (FRENCH VERSION)			<b><u>REMOTE COMMANDER</u></b>		
	3-212-542-31	MANUAL, INSTRUCTION (SPANISH VERSION)			1-480-319-11	REMOTE COMMANDER (RM-YD016)	
*	3-212-211-01	TRAY (KDS-50A3000 ONLY)			9-885-114-19	BATTERY COVER (RM-YD016)	
*	3-212-216-01	TRAY (KDS-55A3000 ONLY)					
*	3-212-221-01	TRAY (KDS-60A3000 ONLY)					

## APPENDIX A: ENCRYPTION KEY COMPONENTS

Encryption key components developed by Sony Corporation contain confidential information, and shall be handled under the non-disclosure obligations provided in the applicable agreement with Sony Corporation (and/or its subsidiary).

As part of this agreement specific instructions must be adhered to whenever a Circuit Board containing encryption key components is repaired and/or replaced pursuant to the following:

- 1) In the service manual, Circuit Boards containing encryption key components shall be identified with a **red outline and a **.
- 2) Only repair boards or components listed in the service manual shall be utilized for replacement and/or repair.
- 3) Disassembly, decryption, or reverse-engineering component(s) is strictly prohibited.
- 4) Any board in which the Servicer replaces an encryption key component must be placed back into the set it originally came from and the replaced defective component **MUST BE DESTROYED**. Boards cannot be swapped.
- 5) If a Circuit Board identified with a **red outline and a ** in the service manual is deemed to be defective:
  - a) and if a core charge is imposed and is covered under the product warranty, the defective un-repaired or modified board **MUST BE RETURNED** to Sony.
  - b) and if the core charge is **NOT** covered under the product warranty, the defective un-repaired or modified board **MUST BE DESTROYED**.
- 5) If a unit is destroyed (such as field scrap), the Circuit Board identified with a **red outline and a ** in the service manual **MUST BE DESTROYED**.

## APPENDIX B: REPLACING THE LAMP

The following instructions are from the Operating Instructions manual for this model.

### Replacing the Lamp

The projection lamp, like all lamps, will eventually lose brightness and functionality, which affects the overall performance of your TV. How long the lamp maintains its brightness will vary depending upon your usage and environmental conditions. To maintain the quality of your viewing experience, Sony recommends that you replace the lamp (1) after approximately 8,000 hours of use; (2) when the screen becomes dark or the color looks unusual; (3) when the LAMP LED on the front of the TV blinks; or (4) when the lamp replacement message appears on the TV screen.

#### WARNING

**Electric appliances can cause fire or high temperature, resulting in injury or death. Be sure to follow the instructions below.**

- Use a Sony XL-5200 replacement lamp (not supplied) for replacement. Use of any other lamp may damage the TV.
- Do not remove the lamp for any purpose other than replacement. Doing so may cause injury or fire.
- Do not put flammable materials and metal objects inside the lamp receptacle of the TV after removing the lamp. Doing so may cause fire or electrical shock. Do not touch the lamp receptacle once the lamp has been removed.
- When the lamp eventually burns out, you may hear a noticeable pop sound. This is normal and it is inherent to this type of lamp.
- In rare instances, the bulb may pop inside the lamp unit, but the lamp unit is designed to contain all of the broken glass pieces inside the lamp unit.
- This TV's lamp contains mercury and should be disposed of properly. Consult your local authorities regarding safe disposal. The material contained in this lamp is similar to those of a fluorescent lamp, so you should dispose of it in the same way.

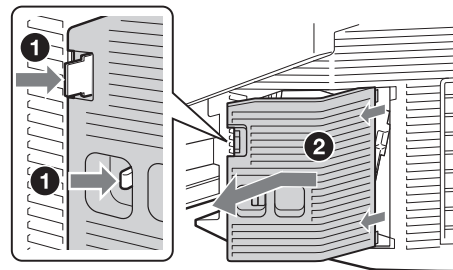
### How to Replace the Lamp

- 1** Turn off the power on the main unit. Wait several minutes, then unplug the power cord. (The cooling fan will continue to operate for about two minutes after turning the power off.)
- 2** Wait at least 30 minutes after unplugging the power cord to allow the lamp to cool down before replacing it. To avoid being burned, do not touch the lamp receptacle once the lamp has been removed.
- 3** Take the new lamp out of the box. Do not touch the glass portion of the new lamp.

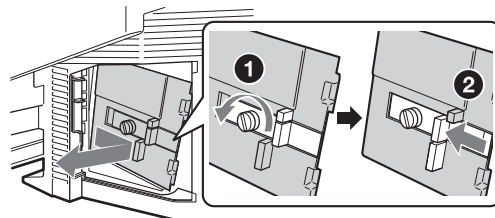


- Do not shake the lamp. Vibration can damage the lamp or shorten its life.
- Avoid touching the front glass of a new lamp or the glass of the lamp receptacle. This may reduce picture quality or lamp life.

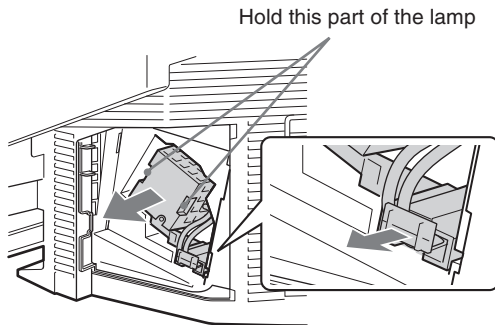
- 4** Remove the outside lamp cover. Press the clamp and the button at the same time to release the cover.



- 5** Remove the lamp door. Turn the screw counterclockwise and slide the lever to the left. Remove the door.

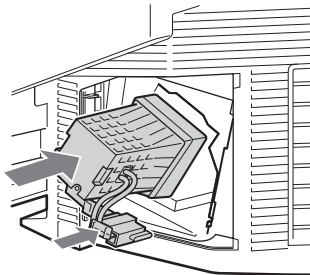


- 6** Pull the lamp out of the TV.  
Hold the indented grooves as shown in the illustration, and pull the lamp straight out. If the lamp is hard to remove, pull the right side of the lamp for additional traction.

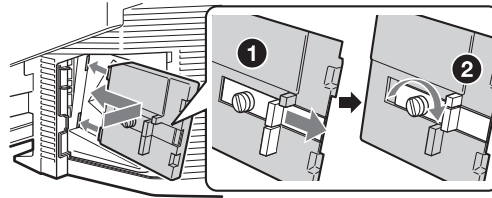


- The lamp is very hot immediately after use. Do not touch the inside of the lamp compartment, the glass portion of the lamp, or the surrounding parts.
- After the used lamp has cooled, place it into the empty box of the replacement lamp. Never put the used lamp into a plastic bag.

- 7** Slide the new lamp into its place.  
Insert the new lamp by pressing the two parts firmly into place as shown in the illustration. Make sure the lamp is securely mounted into the compartment. Failure to do so may cause a fire or the screen to go dark.

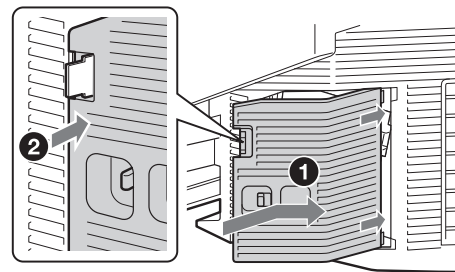


- 8** Reattach the lamp door.  
Replace the door by inserting the two tabs in the slot from the left side. Slide the lever to the right and then turn the screw clockwise to secure the door.



- If the lamp is not securely reattached, the self-diagnostic function may be triggered and the POWER LED blinks six times (see page 24).

- 9** Put the outside lamp cover back in its place.  
Replace the cover, inserting it from the right side. Press the clamp on the left side to secure the cover.



Other Information

- 10** Plug in the power cord. Turn on the TV and set the **Lamp Replacement** option in the **General** settings (see page 43). This setting is necessary to inform you when the next lamp replacement is needed.



- Until you set the **Lamp Replacement** option, a message announcing that the lamp is at the end of its life will appear every time you turn on the TV.
- Consult your Sony dealer for a Sony XL-5200 replacement lamp.
- Take great care when replacing the lamp or plugging in/unplugging the connecting cords. Rough handling may cause the TV to fall, damaging the TV, the TV stand and the floor.

### The used lamp

#### For customers in the United States:

Lamp in this product contains mercury. Disposal of these materials may be regulated due to environmental considerations. For disposal or recycling information, please contact your local authorities or the Electronic Industries Alliance (<http://www.eiae.org>).

- Do not leave the used lamp near flammable materials or within the reach of children.

- Do not pour water onto the used lamp or put any object inside the lamp. Doing so may cause the lamp to burst.

#### For replacement lamp information visit:

##### U. S. residents:

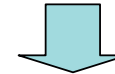
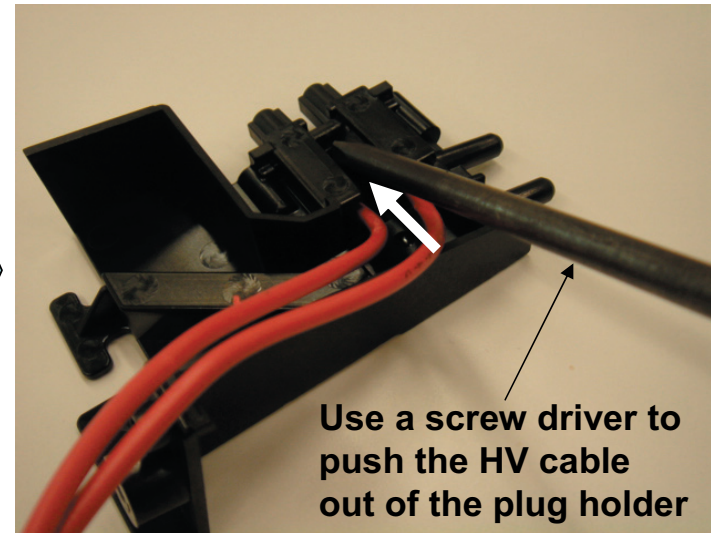
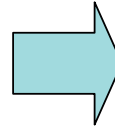
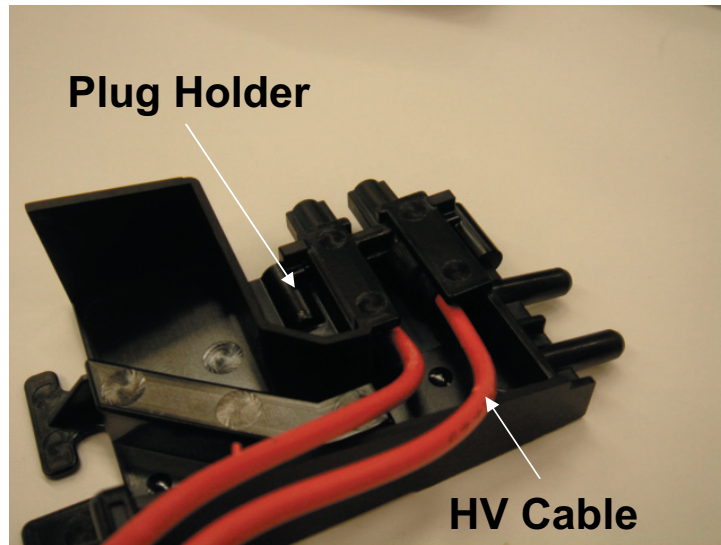
<http://www.sonystyle.com/tv/>

##### Canadian residents:

<http://www.sonystyle.ca/tv/>

**APPENDIX C: HV CABLE REMOVAL**

**Using caution not to damage the HV wires, carefully push the HV Cable through the plug holder.**





## APPENDIX D: PERFORMING MECHANICAL GEOMETRY ADJUSTMENTS

Using the illustrations provided on the following page, follow these instructions to perform mechanical geometry adjustments after the TV is completely reassembled.

**Important: The TV must be completely and securely reassembled before making these adjustments**

**To confirm proper adjustments, use the Cross-Hatch pattern (Service Mode EPP Patterns).**

Perform the adjustments in the following sequence.

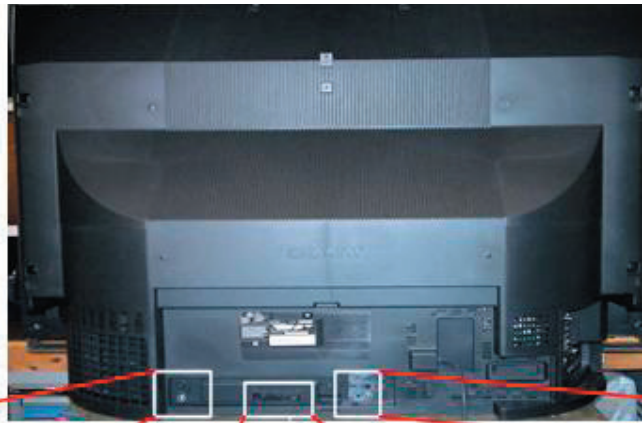
1. Remove the Vertical Position Support plate by removing the silver screw, then pull the plate straight off.
2. Perform Vertical geometry adjustment to achieve the best possible straight up-and-down vertical alignment of both the right and left sides of the picture. Grasp the adjuster knob and slide right or left into positions 1 through 5.  
NOTE: Use the screen assembly bezel inner edges as your reference and align the cross-hatch outer most right and left lines to this edge.
3. Re-install and securely screw the Vertical Position Support plate back into position. Make sure to rotate the plate to the proper tab thickness for effective vertical position support.  
NOTE: There are four different tab thicknesses to choose from on the inner side of the plate. With the plate off, note the position of the Optical Block post in the chassis hole and the area below the tab to choose the proper thickness.
4. After reinstalling the Vertical Position Support plate, confirm that the Vertical Geometry adjustment is OK.
5. If the Vertical Geometry has shifted repeat steps 1 through 4 until you have achieved the best possible Vertical Geometry on the picture.

If the Vertical Geometry is OK after re-installing the Vertical Position Support plate, then proceed to Step 6.

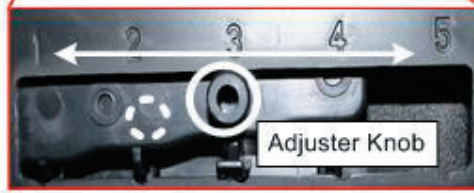
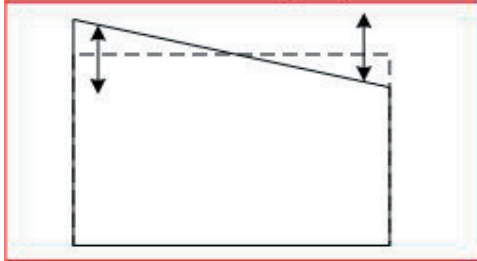
6. Perform the Horizontal Geometry adjustment to achieve the best possible straight horizontal edge along the top of the picture by removing the silver screw for the adjustment.  
NOTE: The screw goes through the hole in the plastic chassis and a hole in the internal adjustment wheel.  
Turn the adjustment knob with a quarter until a hole on the internal wheel aligns with the hole in the chassis. Reinstall the screw securely and check the horizontal alignment on the screen.  
Repeat this process if needed until you achieve the best possible horizontal geometry. Use the screen assembly bezel upper inner edge as your reference and align the cross-hatch upper most line to this edge.

← Adjustment Direction

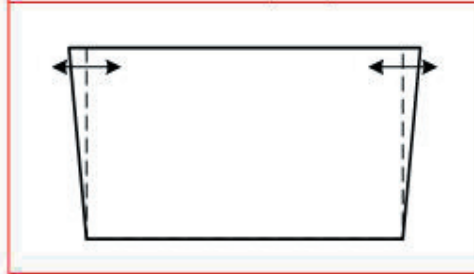
○ Indicates Internal Part



Horizontal Geometry Adjustment

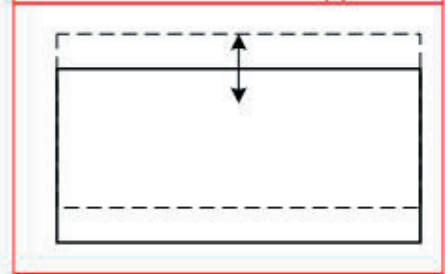


Vertical Geometry Adjustment



Inner plate tabs & internal Optical Block post

Vertical Position Support



Internal adjustment wheel with varying thickness per screw hole

Inner side of Vertical Position Support Plate. Note the different thickness of the four tab sets.



Chassis area with plate removed

Optical Block Post

Area below Post



*In an effort to reduce the size of this pdf file the tiled schematics are not attached to this Service Manual. To receive a complete set of the tiled schematics for this manual please submit a request to the Service Promotion Department at [Service\\_Promotion@am.sony.com](mailto:Service_Promotion@am.sony.com).*